

ROCK
DOOR[®]

Technical Manual



REVISION 8.1



ROCKDOOR STYLES

- ▶ Aspen
- ▶ Astoria
- ▶ Arcacia
- ▶ Campus
- ▶ Carolina
- ▶ Classic
- ▶ Classic French Door
- ▶ Colonial
- ▶ Cottage spy view
- ▶ Cottage view light
- ▶ Dakota
- ▶ Diamond
- ▶ Dune Retreat
- ▶ Dune Vision
- ▶ English cottage
- ▶ Georgia
- ▶ Illinois
- ▶ Indiana
- ▶ Jacobean
- ▶ Kentucky
- ▶ Manhattan
- ▶ Montana
- ▶ Newark
- ▶ Portland
- ▶ Philadelphia
- ▶ Regency
- ▶ Stable diamond view
- ▶ Stable spy view
- ▶ Stable view light
- ▶ Tennessee
- ▶ Tongue and groove 5
- ▶ Vermont
- ▶ Virginia
- ▶ Vogue
- ▶ Vogue French
- ▶ Windsor
- ▶ Door and Frame Colour

CERTIFICATION

- ▶ Secured By Design
- ▶ PAS24
- ▶ Energy Ratings
- ▶ Replacement Parts

Construction

- ▶ Inner Frame Detail
- ▶ Stable Door Centre Seal
- ▶ Double/ French Door Centre Seal

Thresholds

- ▶ ALI Threshold Detail
- ▶ PVC Threshold Detail
- ▶ Cill Detail
- ▶ Tie Bar Detail

Frame

- ▶ Outer Frame Detail
- ▶ Add On / Frame Extension
- ▶ Side Frame Detail
- ▶ Coupling Bar Detail
- ▶ Side Frame / Coupling Bar Max Sizes
- ▶ Side Frame Min Sizes / Transoms
- ▶ Moulded Panels
- ▶ Clear Opening
- ▶ Internal Floor Level Clearance

Lever Handles

- ▶ Standard Lever Handle
- ▶ Escutcheon v Lever Handle Prep
- ▶ Stainless Steel Lever Handle
- ▶ Rose Handle Prep
- ▶ European Rose Handle
- ▶ Curved Rose Handle
- ▶ Twist Lever Handle
- ▶ Arched Lever Handle

Bar Handles

- ▶ In line Bar Handle Details
- ▶ Offset Bar Handle Details
- ▶ Mitred Bar Handle Details
- ▶ Square 1200/900 Bar Handle
- ▶ Round In Line 600/1200/900 Bar Handle
- ▶ Square Offset 1200 Bar Handle
- ▶ Round Offset 1200 Bar Handle
- ▶ Mitered 900 Bar Handle
- ▶ Back to Back Fixing Kit

Door Pulls

- ▶ Door Pull
- ▶ Round Knob

Letterplates

- ▶ Standard Letterplate
- ▶ Stainless Steel Letterplate
- ▶ TS008 Letterplate

Hinge

- ▶ Hinge

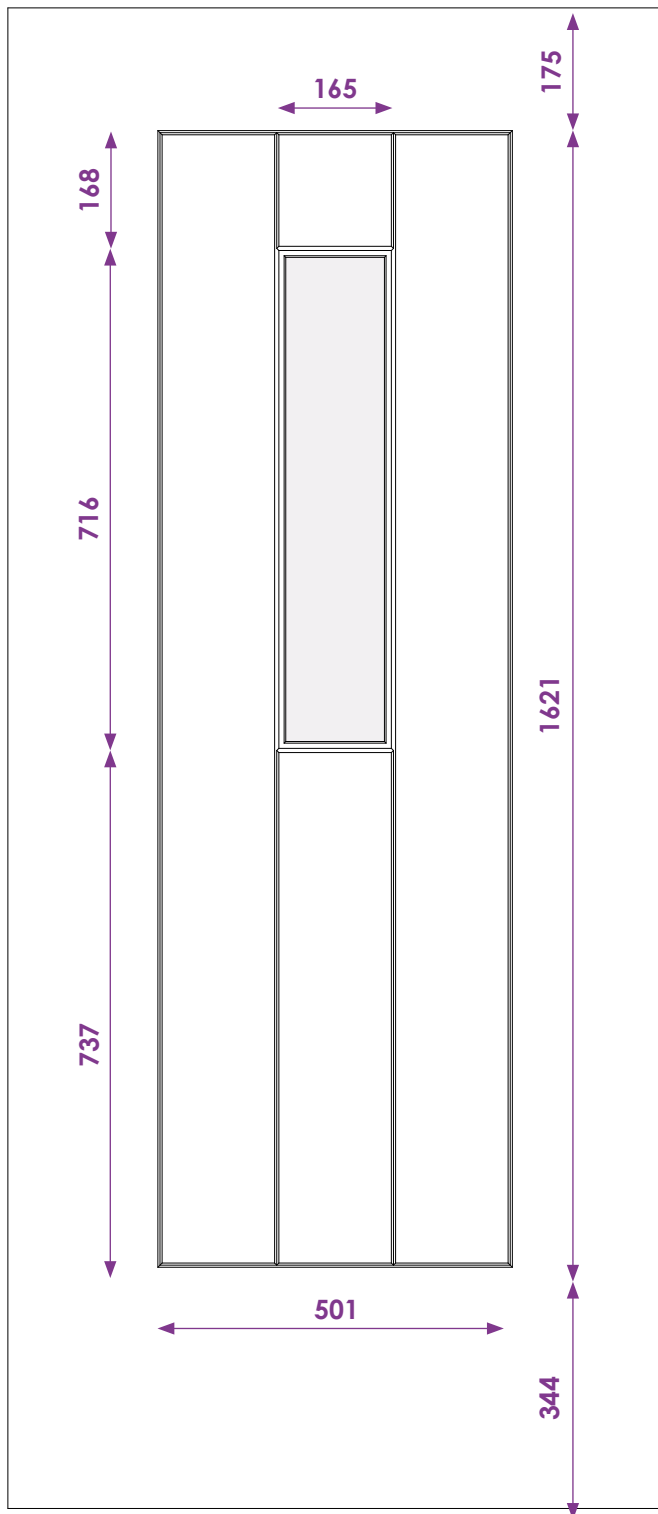
Furniture

- ▶ Bull Ring Knocker
- ▶ Cat Flap
- ▶ Restrictor Details
- ▶ Furniture Colour Options

Locks

- ▶ 2 Hook Lock
- ▶ 4 Hook Lock
- ▶ AV Options
- ▶ Electric Latch Release
- ▶ Switch Latch
- ▶ Instant Lock Heritage Plus
- ▶ Cylinder
- ▶ Emergency Exit Lock

New Forest Texture & 26mm Unit



Door Sash

Width

Max: 908mm

Min: 674mm

Height

Max: 2098mm

Min: 1789mm

Profile Dimensions:

72 Frame: 52mm+4mm air gap = **56mm**

52 Frame: 32mm+4mm air gap = **36mm**

Ali low threshold open IN = 20mm

Ali low threshold open OUT = 17mm

Cill = 30mm

Width

72 Frame

Max = (Max sash width + 56mm + 56mm)

Min = (Min sash width + 56mm + 56mm)

52 Frame

Max = (Max sash width + 36mm + 36mm)

Min = (Min sash width + 36mm + 36mm)

Height

72 Frame low threshold open IN

Max = (Max sash height + 56mm + 20mm)

Min = (Min sash height + 56mm + 20mm)

52 Frame low threshold open IN

Max = (Max sash height + 36mm + 20mm)

Min = (Min sash height + 36mm + 20mm)

Double Door Width 72mm Frame

Max = (Max sash width + Max sash width + 56mm + 56mm + 8mm)

Min = (Min sash width + Min sash width + 56mm + 56mm + 8mm)

PRESS GLAZING

UNIT THICKNESS: 26

UNIT SIZE: 177 x 729

APERTURE: 140x 690

The overall frame dimensions can be increased or reduced by using other profiles:

Door Outer Frame ►

PVC-U Thresholds ►

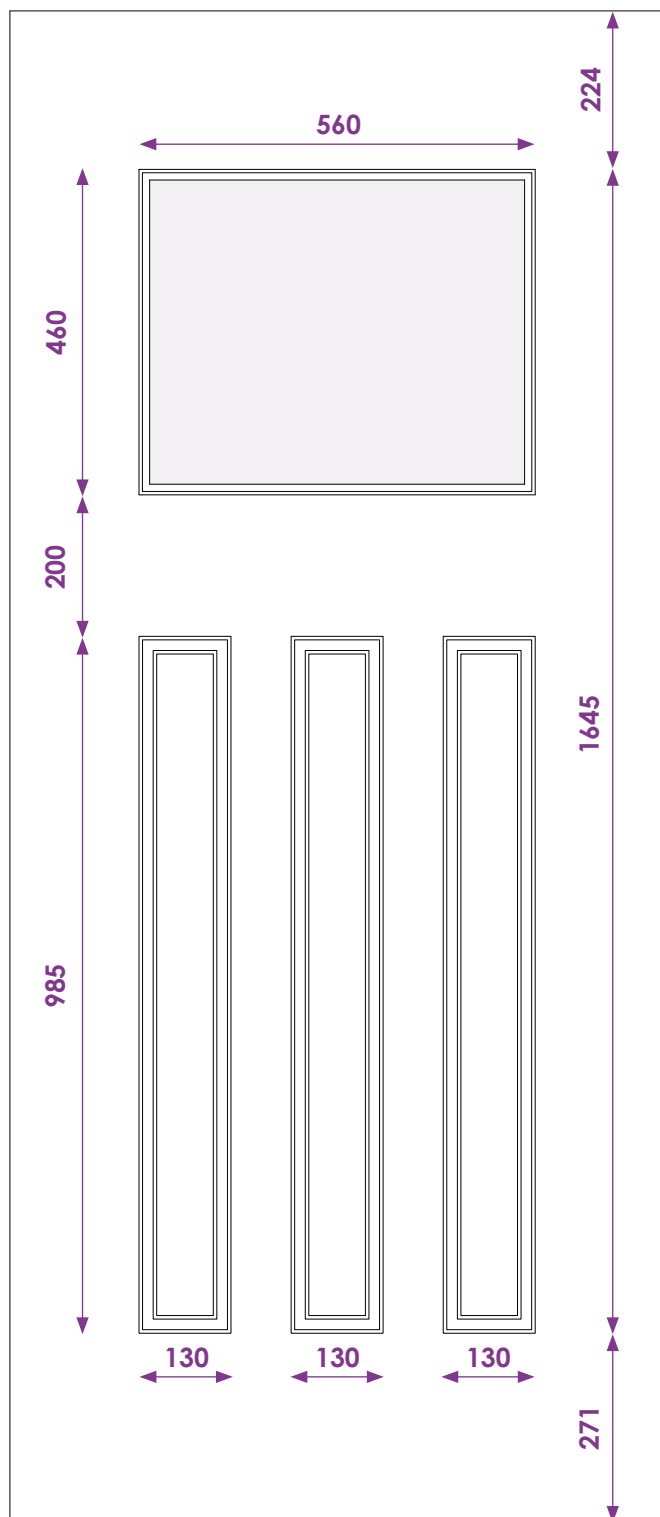
Ali Thresholds / Tie Bars ►

Cills ►

Add On / Frame Extensions ►

Back to Contents ►

New Forest Texture & 26mm Unit



Door Sash

Width

Max: 908mm

Min: 729mm

Height

Max: 2098mm

Min: 1942mm

Profile Dimensions:

72 Frame: 52mm+4mm air gap = **56mm**

52 Frame: 32mm+4mm air gap = **36mm**

Ali low threshold open IN = 20mm

Ali low threshold open OUT = 17mm

Cill = 30mm

Width

72 Frame

Max = (Max sash width + 56mm + 56mm)

Min = (Min sash width + 56mm + 56mm)

52 Frame

Max = (Max sash width + 36mm + 36mm)

Min = (Min sash width + 36mm + 36mm)

Height

72 Frame low threshold open IN

Max = (Max sash height + 56mm + 20mm)

Min = (Min sash height + 56mm + 20mm)

52 Frame low threshold open IN

Max = (Max sash height + 36mm + 20mm)

Min = (Min sash height + 36mm + 20mm)

Double Door Width 72mm Frame

Max = (Max sash width + Max sash width + 56mm + 56mm + 8mm)

Min = (Min sash width + Min sash width + 56mm + 56mm + 8mm)

PRESS GLAZING

UNIT THICKNESS: 26

UNIT SIZE: 568 x 468

APERTURE: 530x 430

The overall frame dimensions can be increased or reduced by using other profiles:

Door Outer Frame ►

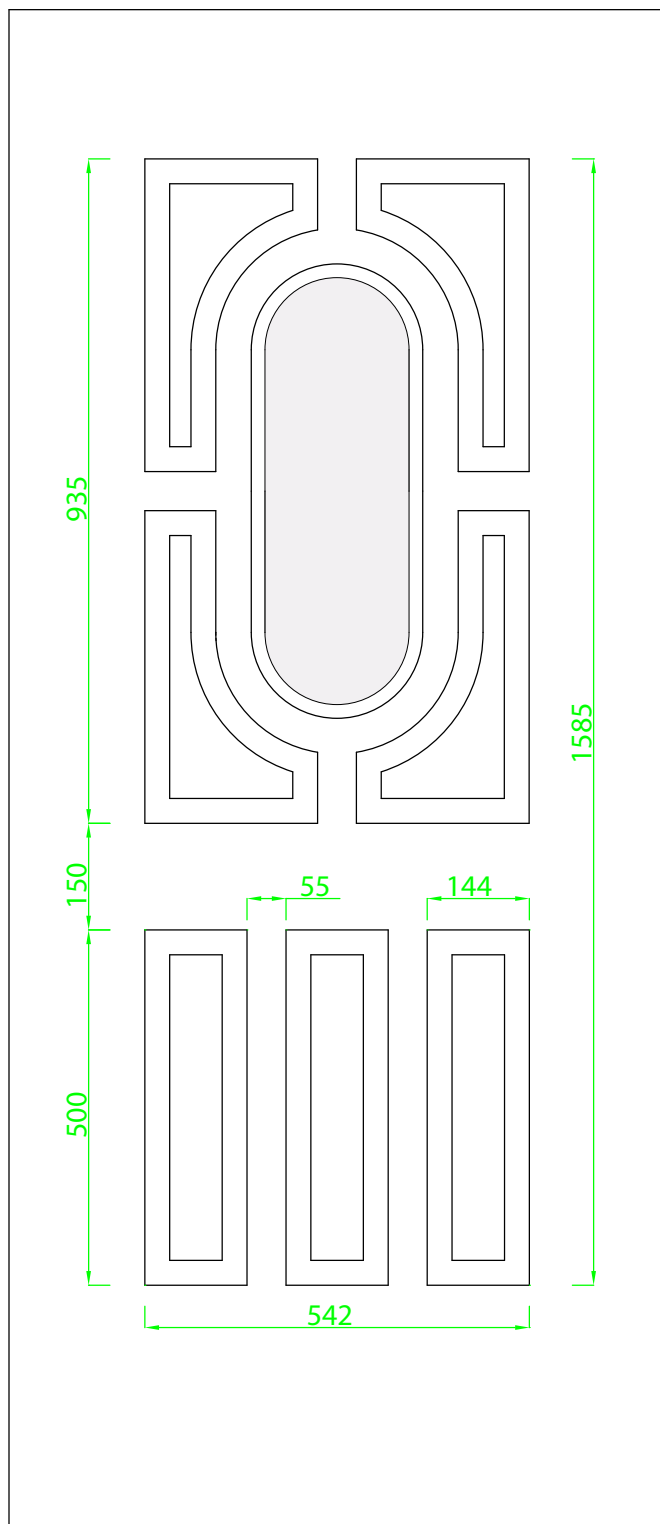
PVC-U Thresholds ►

Ali Thresholds / Tie Bars ►

Cills ►

Add On / Frame Extensions ►

Back to Contents ►



Door Sash

Width

Max: 908mm

Min: 710mm

Height

Max: 2098mm

Min: 1763mm

Profile Dimensions:

72 Frame: 52mm+4mm air gap = **56mm**

52 Frame: 32mm+4mm air gap = **36mm**

Ali low threshold open IN = 20mm

Ali low threshold open OUT = 17mm

Cill = 30mm

Width

72 Frame

Max = (Max sash width + 56mm + 56mm)

Min = (Min sash width + 56mm + 56mm)

52 Frame

Max = (Max sash width + 36mm + 36mm)

Min = (Min sash width + 36mm + 36mm)

Height

72 Frame low threshold open IN

Max = (Max sash height + 56mm + 20mm)

Min = (Min sash height + 56mm + 20mm)

52 Frame low threshold open IN

Max = (Max sash height + 36mm + 20mm)

Min = (Min sash height + 36mm + 20mm)

Double Door Width 72mm Frame

Max = (Max sash width + Max sash width + 56mm + 56mm + 8mm)

Min = (Min sash width + Min sash width + 56mm + 56mm + 8mm)

PRESS GLAZING

UNIT THICKNESS: 22

UNIT SIZE: 246 x 668

APERTURE: 208x 630

PRESS BEAD GLAZING

UNIT THICKNESS: 24

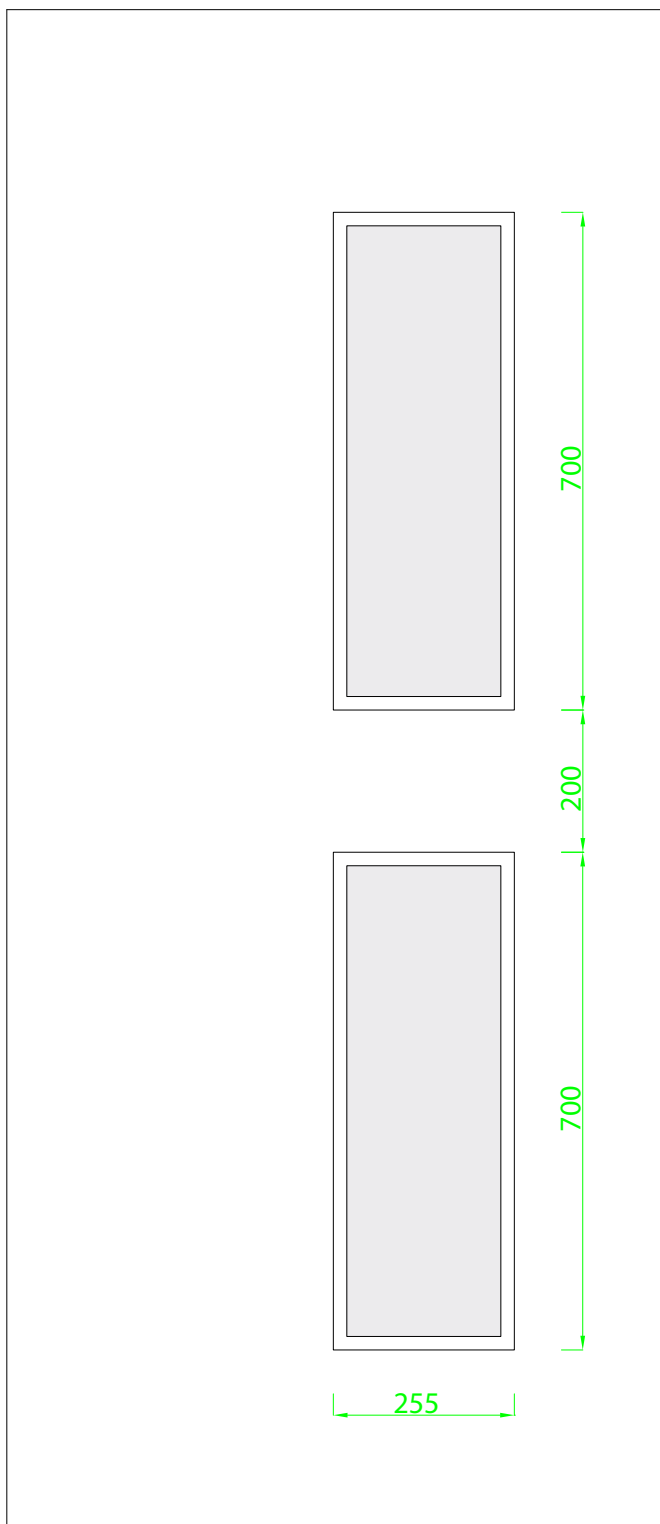
UNIT SIZE: 207 x 632

APERTURE: 182 x 604

The overall frame dimensions can be increased or reduced by using other profiles:

- Door Outer Frame ►
- PVC-U Thresholds ►
- Ali Thresholds / Tie Bars ►
- Cills ►
- Add On / Frame Extensions ►

Back to Contents ►



Door Sash

Width

Max: 908mm

Min: 713mm

Height

Max: 2098mm

Min: 1808mm

Profile Dimensions:

72 Frame: 52mm+4mm air gap = **56mm**

52 Frame: 32mm+4mm air gap = **36mm**

Ali low threshold open IN = 20mm

Ali low threshold open OUT = 17mm

Cill = 30mm

Width

72 Frame

Max = (Max sash width + 56mm + 56mm)

Min = (Min sash width + 56mm + 56mm)

52 Frame

Max = (Max sash width + 36mm + 36mm)

Min = (Min sash width + 36mm + 36mm)

Height

72 Frame low threshold open IN

Max = (Max sash height + 56mm + 20mm)

Min = (Min sash height + 56mm + 20mm)

52 Frame low threshold open IN

Max = (Max sash height + 36mm + 20mm)

Min = (Min sash height + 36mm + 20mm)

Double Door Width 72mm Frame

Max = (Max sash width + Max sash width + 56mm + 56mm + 8mm)

Min = (Min sash width + Min sash width + 56mm + 56mm + 8mm)

Press Glazing

Unit Thickness: 22

Unit Size: 185 X 630

Aperture: 148 X 590

Press Bead Glazing

Unit Thickness: 24

Unit Size: 185 X 630

Aperture: 148 X 590

The overall frame dimensions can be increased or reduced by using other profiles:

Door Outer Frame ►

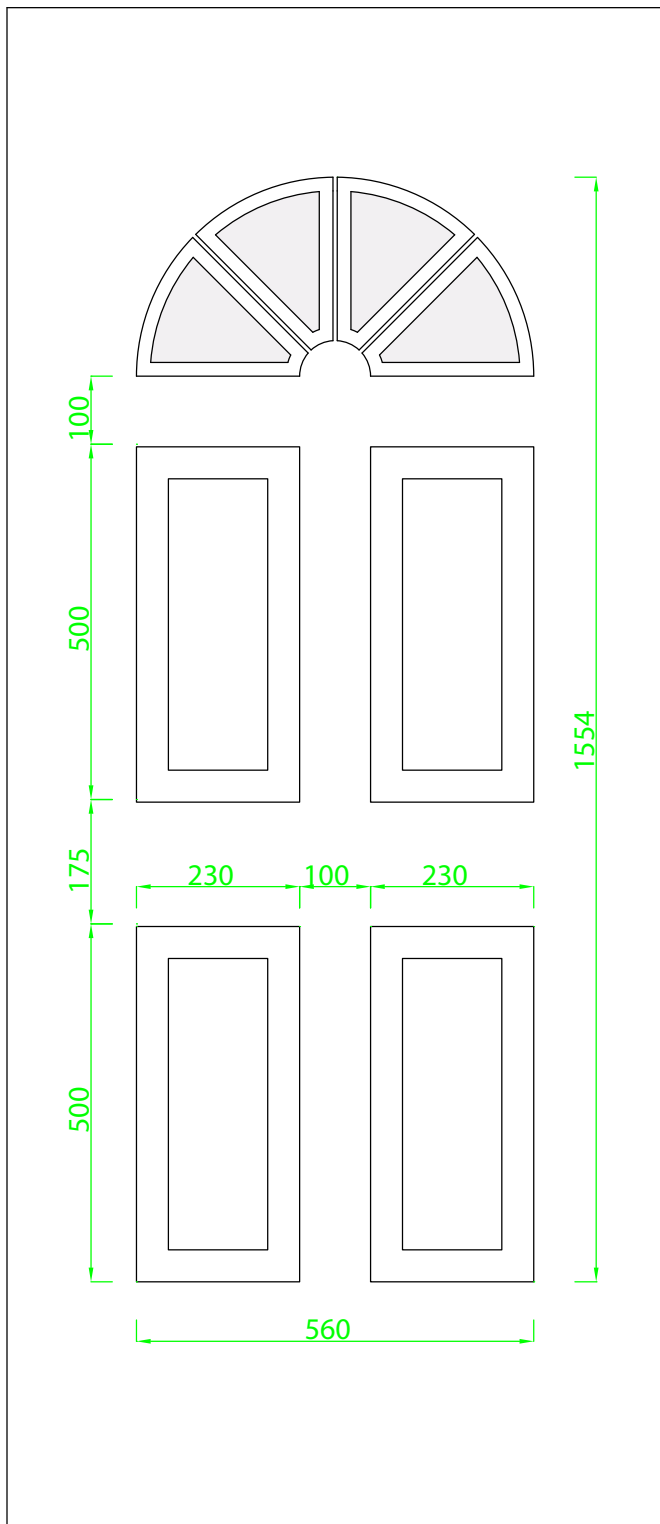
PVC-U Thresholds ►

Ali Thresholds / Tie Bars ►

Cills ►

Add On / Frame Extensions ►

Back to Contents ►



Door Sash

Width

Max: 908mm

Min: 769mm

Height

Max: 2098mm

Min: 1758mm

Profile Dimensions:

72 Frame: 52mm+4mm air gap = **56mm**

52 Frame: 32mm+4mm air gap = **36mm**

Ali low threshold open IN = 20mm

Ali low threshold open OUT = 17mm

Cill = 30mm

Width

72 Frame

Max = (Max sash width + 56mm + 56mm)

Min = (Min sash width + 56mm + 56mm)

52 Frame

Max = (Max sash width + 36mm + 36mm)

Min = (Min sash width + 36mm + 36mm)

72 Frame low threshold open IN

Max = (Max sash height + 56mm + 20mm)

Min = (Min sash height + 56mm + 20mm)

Height

52 Frame low threshold open IN

Max = (Max sash height + 36mm + 20mm)

Min = (Min sash height + 36mm + 20mm)

Double Door Width 72mm Frame

Max = (Max sash width + Max sash width + 56mm + 56mm + 8mm)

Min = (Min sash width + Min sash width + 56mm + 56mm + 8mm)

Press Glazing

Unit Thickness: 22

Unit Size: 560 X 275

Aperture: N/A

Press Bead Glazing

Unit Thickness: 24

Unit Size: 490 X 225

Aperture: 452 X 192

The overall frame dimensions can be increased or reduced by using other profiles:

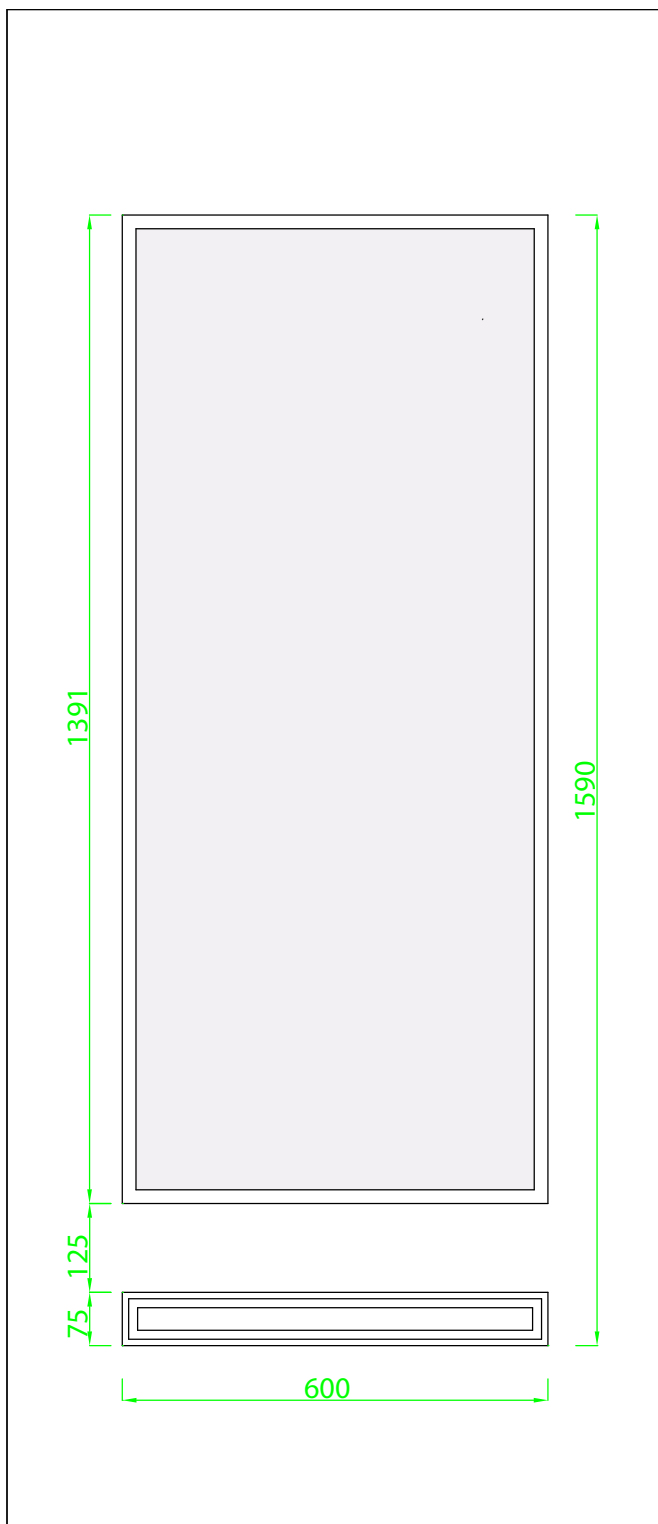
Door Outer Frame

PVC-U Thresholds

Ali Thresholds / Tie Bars

Cills

Add On / Frame Extensions



Door Sash

Width

Max: 908mm

Min: 808mm

Height

Max: 2098mm

Min: 1799mm

Profile Dimensions:

72 Frame: 52mm+4mm air gap = **56mm**

52 Frame: 32mm+4mm air gap = **36mm**

Ali low threshold open IN = **20mm**

Ali low threshold open OUT = **17mm**

Cill = **30mm**

Width

72 Frame

Max = (Max sash width + 56mm + 56mm)

Min = (Min sash width + 56mm + 56mm)

52 Frame

Max = (Max sash width + 36mm + 36mm)

Min = (Min sash width + 36mm + 36mm)

Height

72 Frame low threshold open IN

Max = (Max sash height + 56mm + 20mm)

Min = (Min sash height + 56mm + 20mm)

52 Frame low threshold open IN

Max = (Max sash height + 36mm + 20mm)

Min = (Min sash height + 36mm + 20mm)

Double Door Width 72mm Frame

Max = (Max sash width + Max sash width + 56mm + 56mm + 8mm)

Min = (Min sash width + Min sash width + 56mm + 56mm + 8mm)

Press Glazing

Unit Thickness: 22

Unit Size: 599 X 1390

Aperture: 565 X 1356

Press Bead Glazing

N/A

The overall frame dimensions can be increased or reduced by using other profiles:

Door Outer Frame

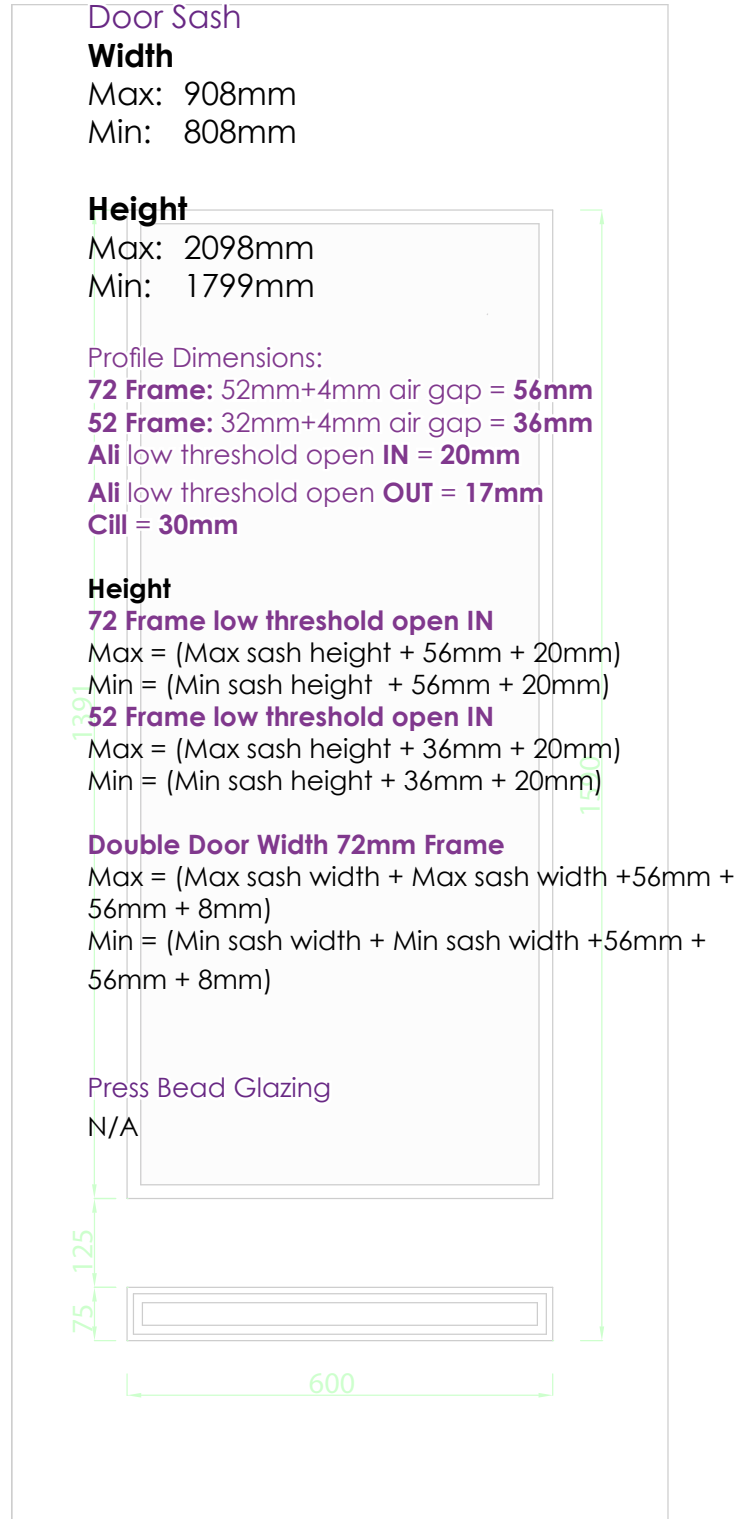
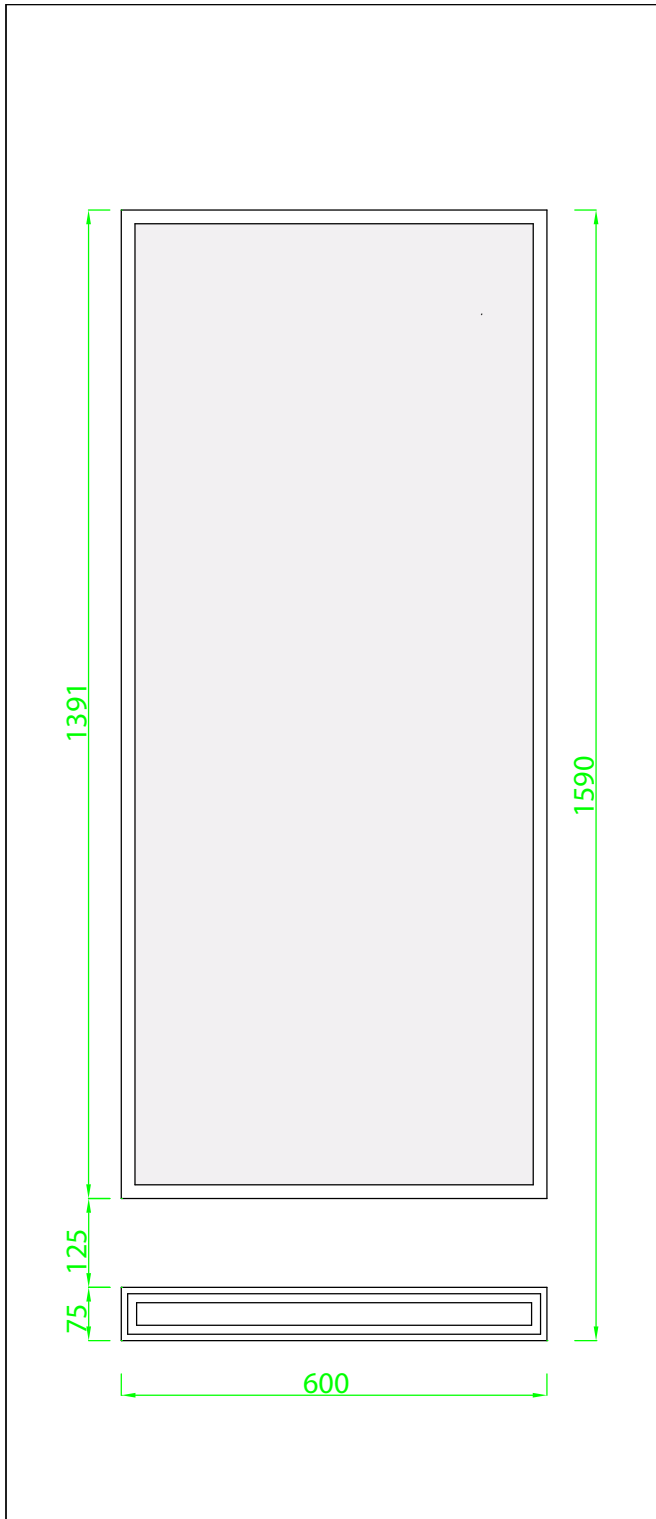
PVC-U Thresholds

Ali Thresholds / Tie Bars

Cills

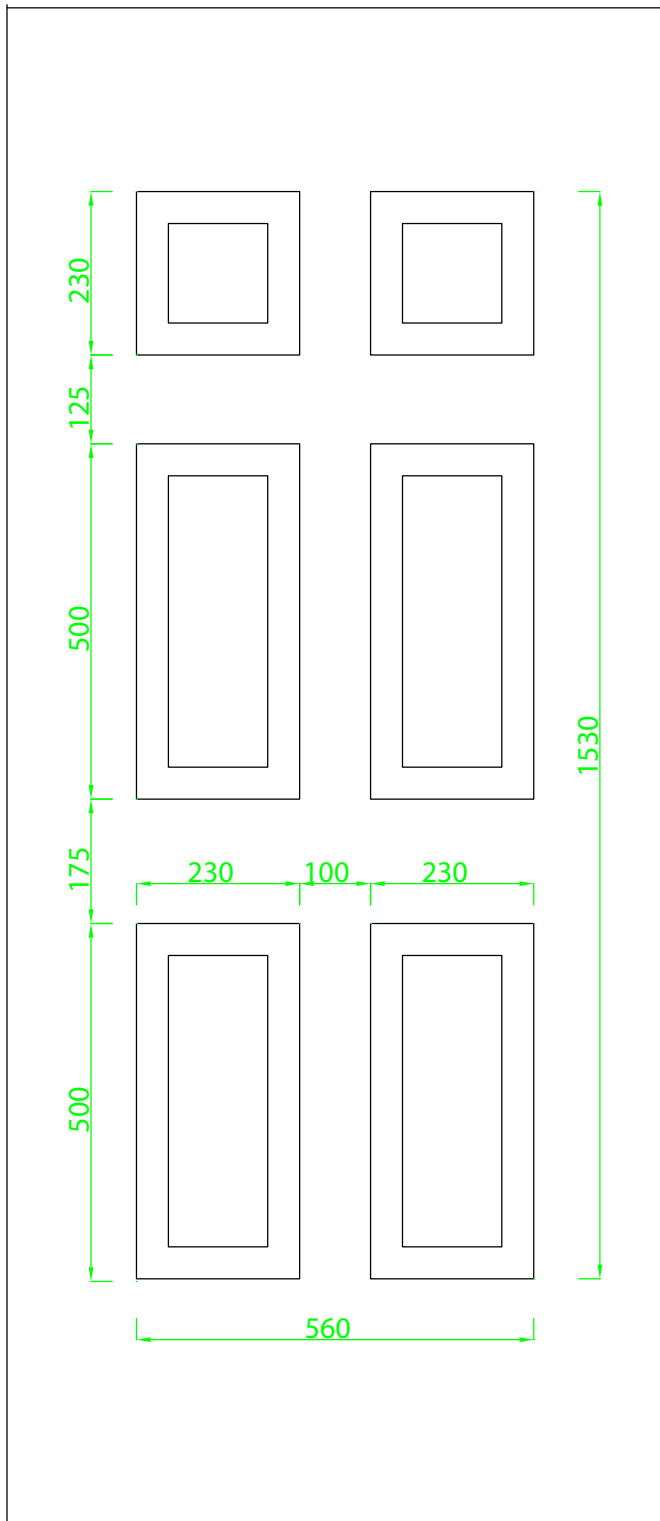
Add On / Frame Extensions

CLASSIC FRENCH DOOR



The overall frame dimensions can be increased or reduced by using other profiles:

- Door Outer Frame ►
- PVC-U Thresholds ►
- Ali Thresholds / Tie Bars ►
- Cills ►
- Add On / Frame Extensions ►



Door Sash

Width

Max: 908mm

Min: 729mm

Height

Max: 2098mm

Min: 1728mm

Profile Dimensions:

72 Frame: 52mm+4mm air gap = **56mm**

52 Frame: 32mm+4mm air gap = **36mm**

Ali low threshold open IN = 20mm

Ali low threshold open OUT = 17mm

Cill = 30mm

Width

72 Frame

Max = (Max sash width + 56mm + 56mm)

Min = (Min sash width + 56mm + 56mm)

52 Frame

Max = (Max sash width + 36mm + 36mm)

Min = (Min sash width + 36mm + 36mm)

Height

72 Frame low threshold open IN

Max = (Max sash height + 56mm + 20mm)

Min = (Min sash height + 56mm + 20mm)

52 Frame low threshold open IN

Max = (Max sash height + 36mm + 20mm)

Min = (Min sash height + 36mm + 20mm)

Double Door Width 72mm Frame

Max = (Max sash width + Max sash width + 56mm + 56mm + 8mm)

Min = (Min sash width + Min sash width + 56mm + 56mm + 8mm)

Press Glazing

N/A

Press Bead Glazing

N/A

The overall frame dimensions can be increased or reduced by using other profiles:

Door Outer Frame ►

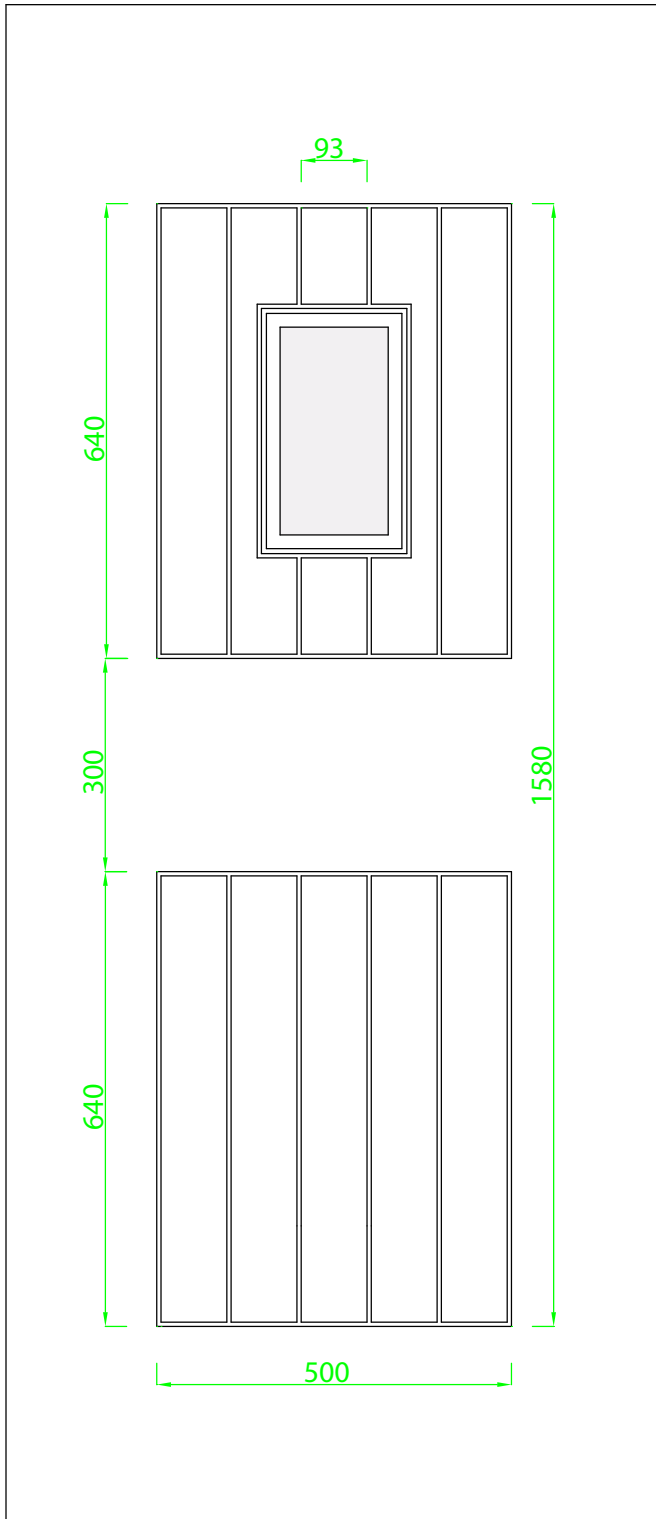
PVC-U Thresholds ►

Ali Thresholds / Tie Bars ►

Cills ►

Add On / Frame Extensions ►

Back to Contents ►



Door Sash

Width

Max: 908mm

Min: 673mm

Height

Max: 2098mm

Min: 1748mm

Profile Dimensions:

72 Frame: 52mm+4mm air gap = **56mm**

52 Frame: 32mm+4mm air gap = **36mm**

Ali low threshold open IN = **20mm**

Ali low threshold open OUT = **17mm**

Cill = **30mm**

Width

72 Frame

Max = (Max sash width + 56mm + 56mm)

Min = (Min sash width + 56mm + 56mm)

52 Frame

Max = (Max sash width + 36mm + 36mm)

Min = (Min sash width + 36mm + 36mm)

72 Frame low threshold open IN

Max = (Max sash height + 56mm + 20mm)

Min = (Min sash height + 56mm + 20mm)

Height

52 Frame low threshold open IN

Max = (Max sash height + 36mm + 20mm)

Min = (Min sash height + 36mm + 20mm)

Double Door Width 72mm Frame

Max = (Max sash width + Max sash width + 56mm + 56mm + 8mm)

Min = (Min sash width + Min sash width + 56mm + 56mm + 8mm)

Press Glazing

Unit Thickness: 22

Unit Size: 150 X 300

Aperture: 109 X 252

Press Bead Glazing

Unit Thickness: 24

Unit Size: 114 X 255

Aperture: 85 X 226

The overall frame dimensions can be increased or reduced by using other profiles:

Door Outer Frame ►

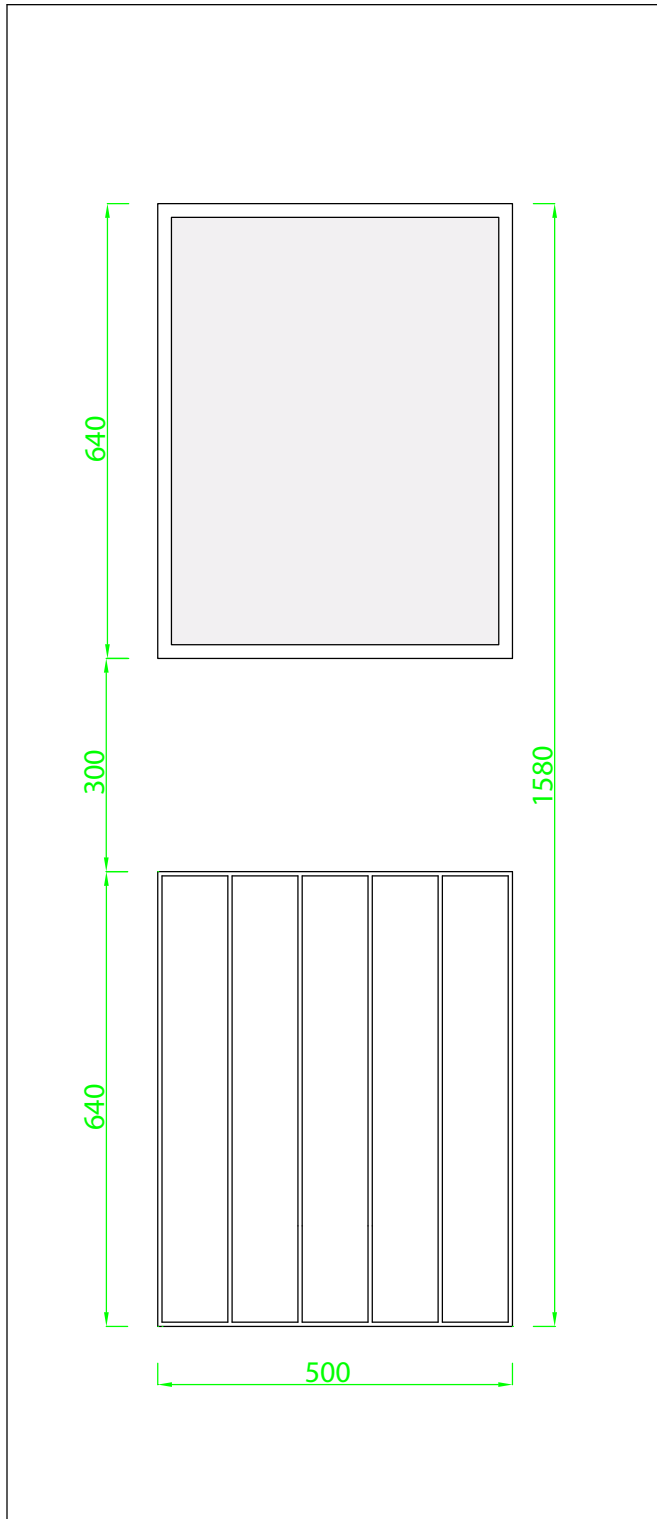
PVC-U Thresholds ►

Ali Thresholds / Tie Bars ►

Cills ►

Add On / Frame Extensions ►

Back to Contents ►



Door Sash

Width

Max: 908mm

Min: 708mm

Height

Max: 2098mm

Min: 1788mm

Profile Dimensions:

72 Frame: 52mm+4mm air gap = **56mm**

52 Frame: 32mm+4mm air gap = **36mm**

Ali low threshold open IN = **20mm**

Ali low threshold open OUT = **17mm**

Cill = **30mm**

Width

72 Frame

Max = (Max sash width + 56mm + 56mm)

Min = (Min sash width + 56mm + 56mm)

52 Frame

Max = (Max sash width + 36mm + 36mm)

Min = (Min sash width + 36mm + 36mm)

Height

72 Frame low threshold open IN

Max = (Max sash height + 56mm + 20mm)

Min = (Min sash height + 56mm + 20mm)

52 Frame low threshold open IN

Max = (Max sash height + 36mm + 20mm)

Min = (Min sash height + 36mm + 20mm)

Double Door Width 72mm Frame

Max = (Max sash width + Max sash width + 56mm + 56mm + 8mm)

Min = (Min sash width + Min sash width + 56mm + 56mm + 8mm)

Press Glazing

Unit Thickness: 22

Unit Size: 485 X 625

Aperture: 436 X 576

Press Bead Glazing

Unit Thickness: 24

Unit Size: 440 X 580

Aperture: 410 X 550

The overall frame dimensions can be increased or reduced by using other profiles:

Door Outer Frame ►

PVC-U Thresholds ►

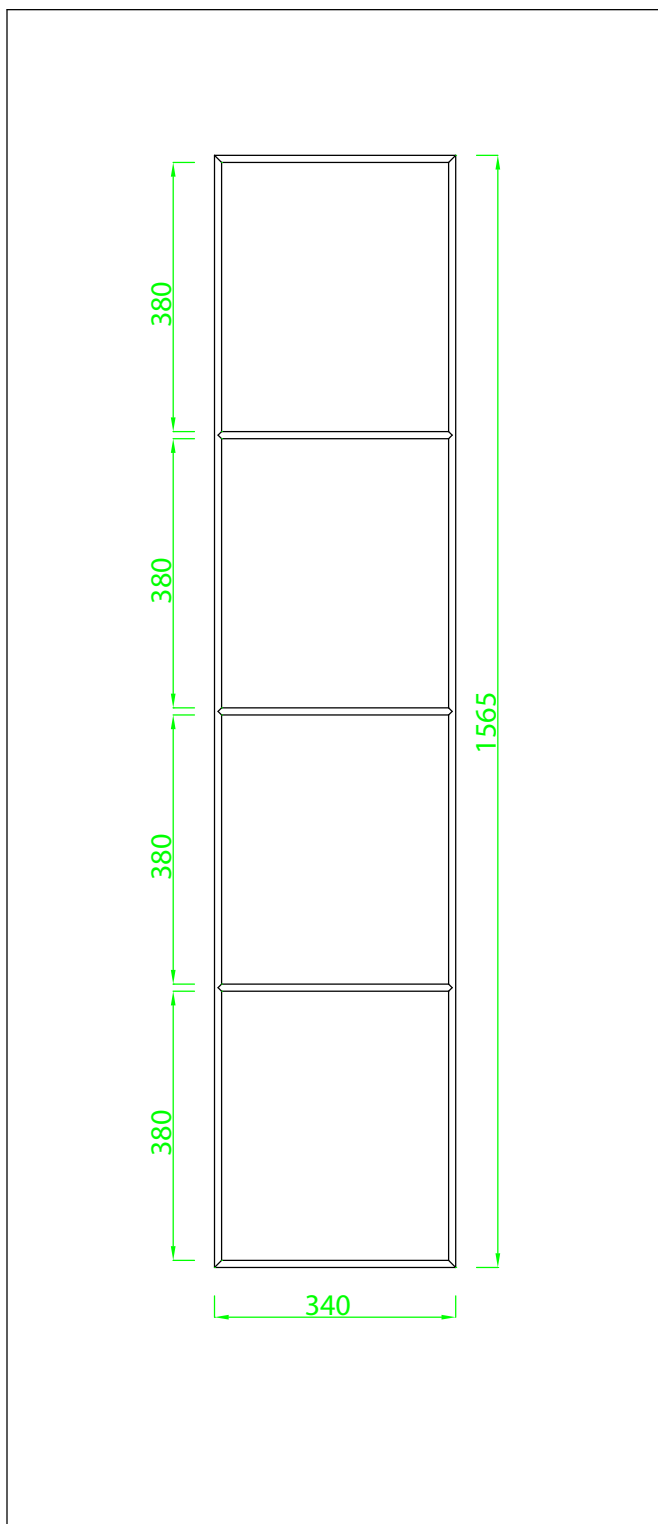
Ali Thresholds / Tie Bars ►

Cills ►

Add On / Frame Extensions ►

Back to Contents ►

New Forest Texture



Door Sash

Width

Max: 908mm

Min: 679mm

Height

Max: 2098mm

Min: 1768mm

Profile Dimensions:

72 Frame: 52mm+4mm air gap = **56mm**

52 Frame: 32mm+4mm air gap = **36mm**

Ali low threshold open IN = 20mm

Ali low threshold open OUT = 17mm

Cill = 30mm

Width

72 Frame

Max = (Max sash width + 56mm + 56mm)

Min = (Min sash width + 56mm + 56mm)

52 Frame

Max = (Max sash width + 36mm + 36mm)

Min = (Min sash width + 36mm + 36mm)

Height

72 Frame low threshold open IN

Max = (Max sash height + 56mm + 20mm)

Min = (Min sash height + 56mm + 20mm)

52 Frame low threshold open IN

Max = (Max sash height + 36mm + 20mm)

Min = (Min sash height + 36mm + 20mm)

Double Door Width 72mm Frame

Max = (Max sash width + Max sash width + 56mm + 56mm + 8mm)

Min = (Min sash width + Min sash width + 56mm + 56mm + 8mm)

The overall frame dimensions can be increased or reduced by using other profiles:

Door Outer Frame ►

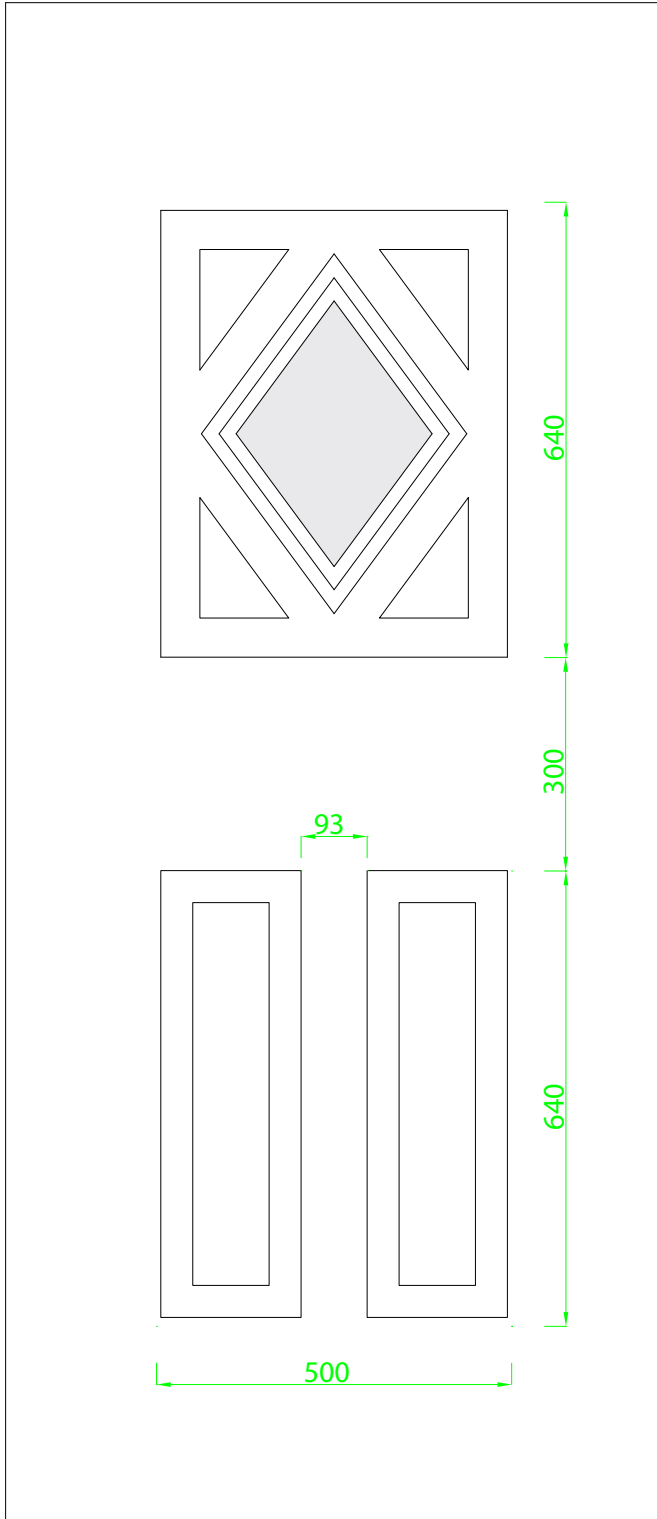
PVC-U Thresholds ►

Ali Thresholds / Tie Bars ►

Cills ►

Add On / Frame Extensions ►

Back to Contents ►



Door Sash

Width

Max: 908mm

Min: 696mm

Height

Max: 2098mm

Min: 1764mm

Profile Dimensions:

72 Frame: 52mm+4mm air gap = **56mm**

52 Frame: 32mm+4mm air gap = **36mm**

Ali low threshold open IN = 20mm

Ali low threshold open OUT = 17mm

Cill = 30mm

Width

72 Frame

Max = (Max sash width + 56mm + 56mm)

Min = (Min sash width + 56mm + 56mm)

52 Frame

Max = (Max sash width + 36mm + 36mm)

Min = (Min sash width + 36mm + 36mm)

Height

72 Frame low threshold open IN

Max = (Max sash height + 56mm + 20mm)

Min = (Min sash height + 56mm + 20mm)

52 Frame low threshold open IN

Max = (Max sash height + 36mm + 20mm)

Min = (Min sash height + 36mm + 20mm)

Double Door Width 72mm Frame

Max = (Max sash width + Max sash width + 56mm + 56mm + 8mm)

Min = (Min sash width + Min sash width + 56mm + 56mm + 8mm)

Press Glazing

Unit Thickness: 22

Unit Size: 320 X 435

Aperture: 277 X 371

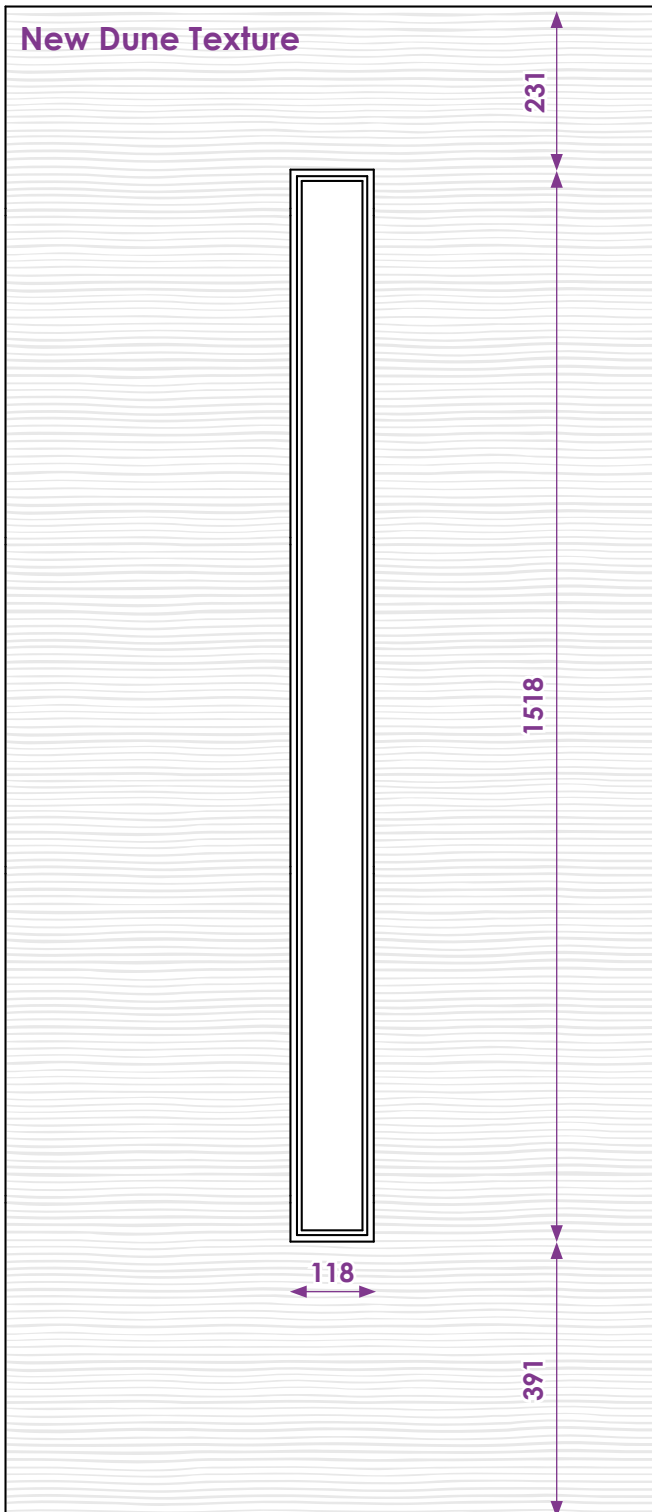
Press Bead Glazing

N/A

The overall frame dimensions can be increased or reduced by using other profiles:

- Door Outer Frame ►
- PVC-U Thresholds ►
- Ali Thresholds / Tie Bars ►
- Cills ►
- Add On / Frame Extensions ►

Back to Contents ►



Door Sash

Width

Max: 908mm

Min: 679mm

Height

Max: 2098mm

Min: 1880mm

Profile Dimensions:

72 Frame: 52mm+4mm air gap = **56mm**

52 Frame: 32mm+4mm air gap = **36mm**

Ali low threshold open IN = 20mm

Ali low threshold open OUT = 17mm

Cill = 30mm

Width

72 Frame

Max = (Max sash width + 56mm + 56mm)

Min = (Min sash width + 56mm + 56mm)

52 Frame

Max = (Max sash width + 36mm + 36mm)

Min = (Min sash width + 36mm + 36mm)

Height

72 Frame low threshold open IN

Max = (Max sash height + 56mm + 20mm)

Min = (Min sash height + 56mm + 20mm)

52 Frame low threshold open IN

Max = (Max sash height + 36mm + 20mm)

Min = (Min sash height + 36mm + 20mm)

Double Door Width 72mm Frame

Max = (Max sash width + Max sash width + 56mm + 56mm + 8mm)

Min = (Min sash width + Min sash width + 56mm + 56mm + 8mm)

Press Glazing

Unit Thickness: 22

Unit Size: 118 X 1518

Aperture: 80 X 1480

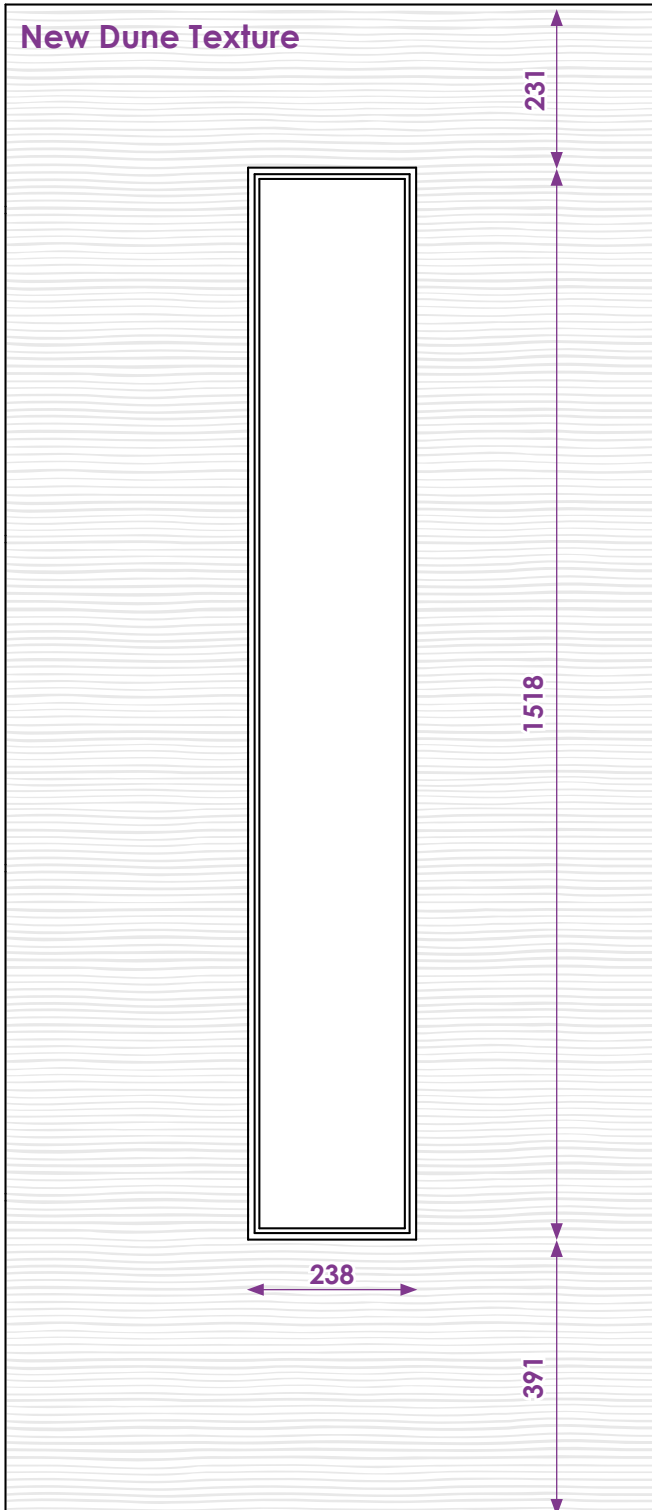
Press Bead Glazing

N/A

The overall frame dimensions can be increased or reduced by using other profiles:

- Door Outer Frame ►
- PVC-U Thresholds ►
- Ali Thresholds / Tie Bars ►
- Cills ►
- Add On / Frame Extensions ►

Back to Contents ►



Door Sash

Width

Max: 908mm
Min: 679mm

Height

Max: 2098mm
Min: 1880mm

Profile Dimensions:

72 Frame: 52mm+4mm air gap = **56mm**

52 Frame: 32mm+4mm air gap = **36mm**

Ali low threshold open IN = 20mm

Ali low threshold open OUT = 17mm

Cill = 30mm

Width

72 Frame

Max = (Max sash width + 56mm + 56mm)

Min = (Min sash width + 56mm + 56mm)

52 Frame

Max = (Max sash width + 36mm + 36mm)

Min = (Min sash width + 36mm + 36mm)

Height

72 Frame low threshold open IN

Max = (Max sash height + 56mm + 20mm)

Min = (Min sash height + 56mm + 20mm)

52 Frame low threshold open IN

Max = (Max sash height + 36mm + 20mm)

Min = (Min sash height + 36mm + 20mm)

Double Door Width 72mm Frame

Max = (Max sash width + Max sash width + 56mm + 56mm + 8mm)

Min = (Min sash width + Min sash width + 56mm + 56mm + 8mm)

Press Glazing

Unit Thickness: 22

Unit Size: 238 X 1518

Aperture: 200 X 1480

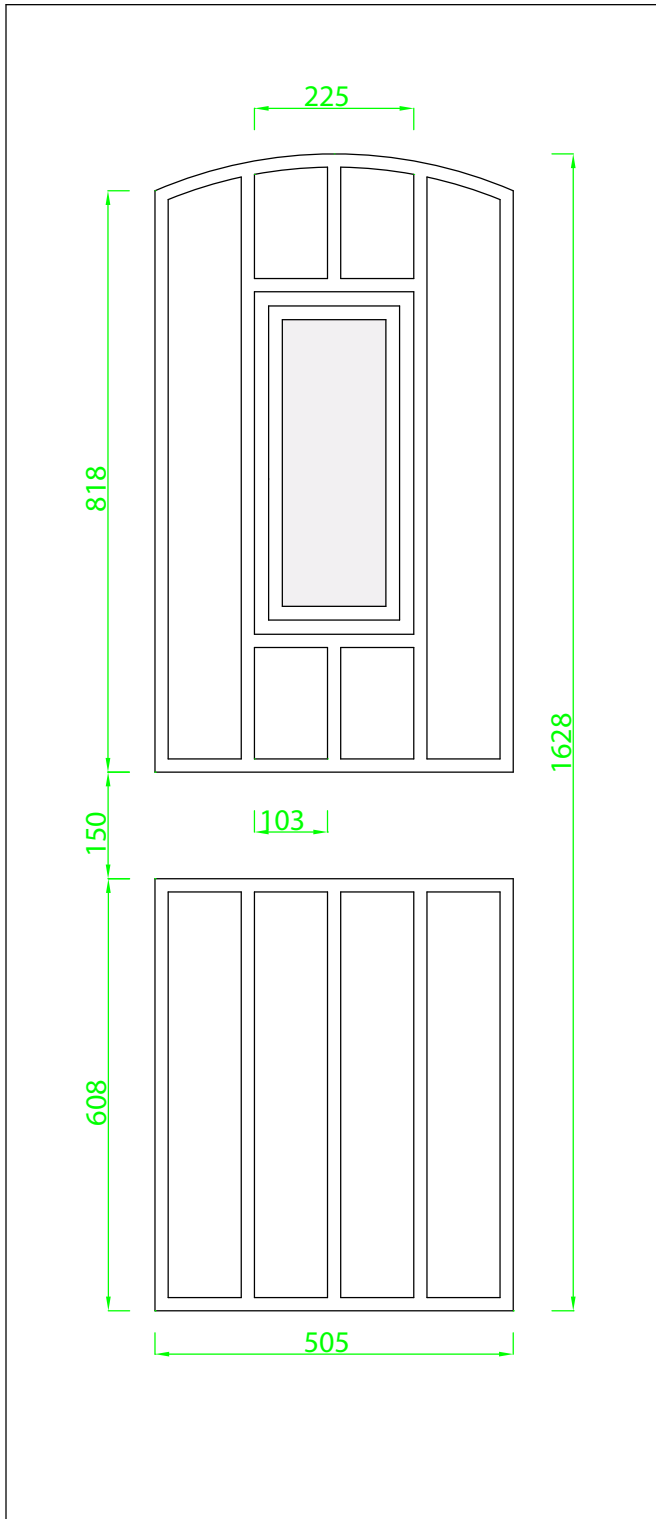
Press Bead Glazing

N/A

The overall frame dimensions can be increased or reduced by using other profiles:

- Door Outer Frame ►
- PVC-U Thresholds ►
- Ali Thresholds / Tie Bars ►
- Cills ►
- Add On / Frame Extensions ►

Back to Contents ►



Door Sash

Width

Max: 908mm

Min: 679mm

Height

Max: 2098mm

Min: 1796mm

Profile Dimensions:

72 Frame: 52mm+4mm air gap = **56mm**

52 Frame: 32mm+4mm air gap = **36mm**

Ali low threshold open **IN** = **20mm**

Ali low threshold open **OUT** = **17mm**

Cill = **30mm**

Width

72 Frame

Max = (Max sash width + 56mm + 56mm)

Min = (Min sash width + 56mm + 56mm)

52 Frame

Max = (Max sash width + 36mm + 36mm)

Min = (Min sash width + 36mm + 36mm)

Height

72 Frame low threshold open IN

Max = (Max sash height + 56mm + 20mm)

Min = (Min sash height + 56mm + 20mm)

52 Frame low threshold open IN

Max = (Max sash height + 36mm + 20mm)

Min = (Min sash height + 36mm + 20mm)

Double Door Width 72mm Frame

Max = (Max sash width + Max sash width + 56mm + 56mm + 8mm)

Min = (Min sash width + Min sash width + 56mm + 56mm + 8mm)

Press Glazing

Unit Thickness: 22

Unit Size: 192 X 447

Aperture: 152 X 413

Press Bead Glazing

N/A

The overall frame dimensions can be increased or reduced by using other profiles:

Door Outer Frame ►

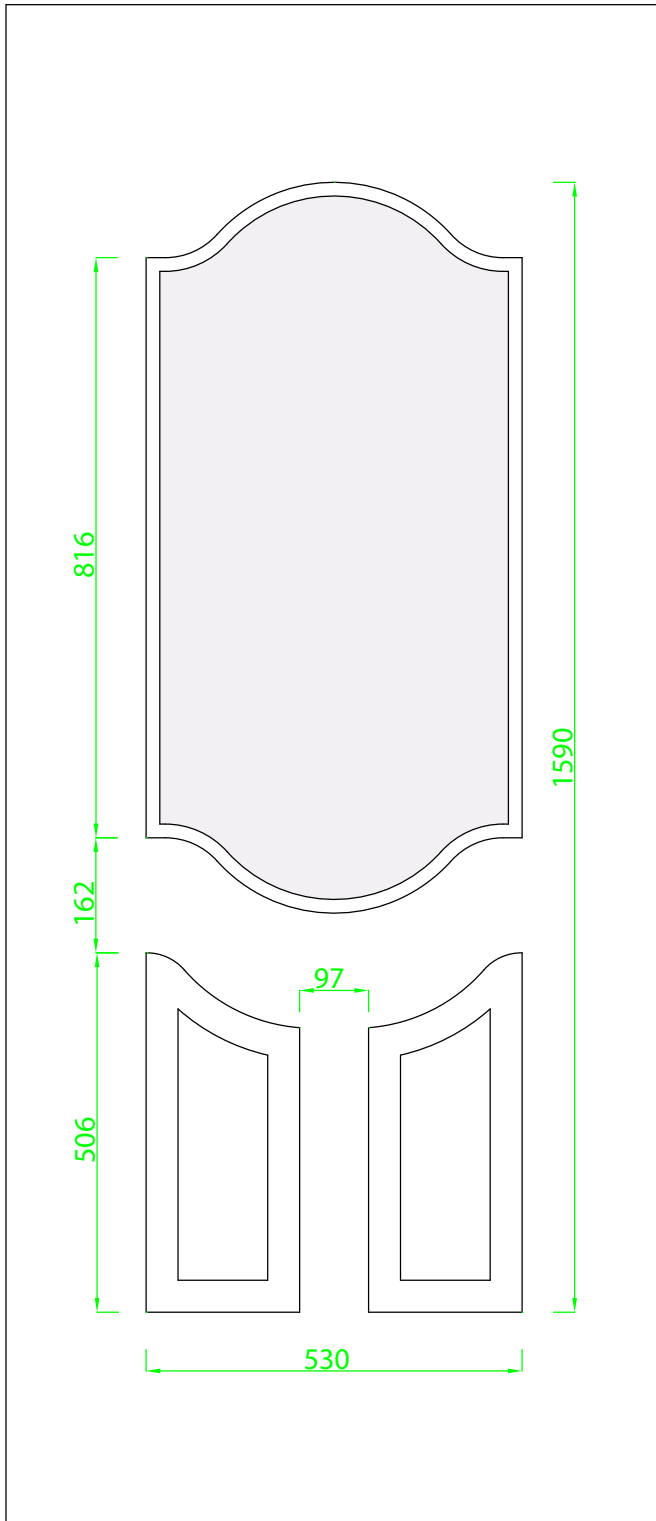
PVC-U Thresholds ►

Ali Thresholds / Tie Bars ►

Cills ►

Add On / Frame Extensions ►

Back to Contents ►



Door Sash

Width

Max: 908mm

Min: 724mm

Height

Max: 2098mm

Min: 1797mm

Profile Dimensions:

72 Frame: 52mm+4mm air gap = **56mm**

52 Frame: 32mm+4mm air gap = **36mm**

Ali low threshold open **IN** = **20mm**

Ali low threshold open **OUT** = **17mm**

Cill = **30mm**

Width

72 Frame

Max = (Max sash width + 56mm + 56mm)

Min = (Min sash width + 56mm + 56mm)

52 Frame

Max = (Max sash width + 36mm + 36mm)

Min = (Min sash width + 36mm + 36mm)

Height

72 Frame low threshold open IN

Max = (Max sash height + 56mm + 20mm)

Min = (Min sash height + 56mm + 20mm)

52 Frame low threshold open IN

Max = (Max sash height + 36mm + 20mm)

Min = (Min sash height + 36mm + 20mm)

Double Door Width 72mm Frame

Max = (Max sash width + Max sash width + 56mm + 56mm + 8mm)

Min = (Min sash width + Min sash width + 56mm + 56mm + 8mm)

Press Glazing

Unit Thickness: 22

Unit Size:

512 X 1008

Aperture:

462X (752 /961/752)

Press Bead Glazing

N/A

The overall frame dimensions can be increased or reduced by using other profiles:

Door Outer Frame ►

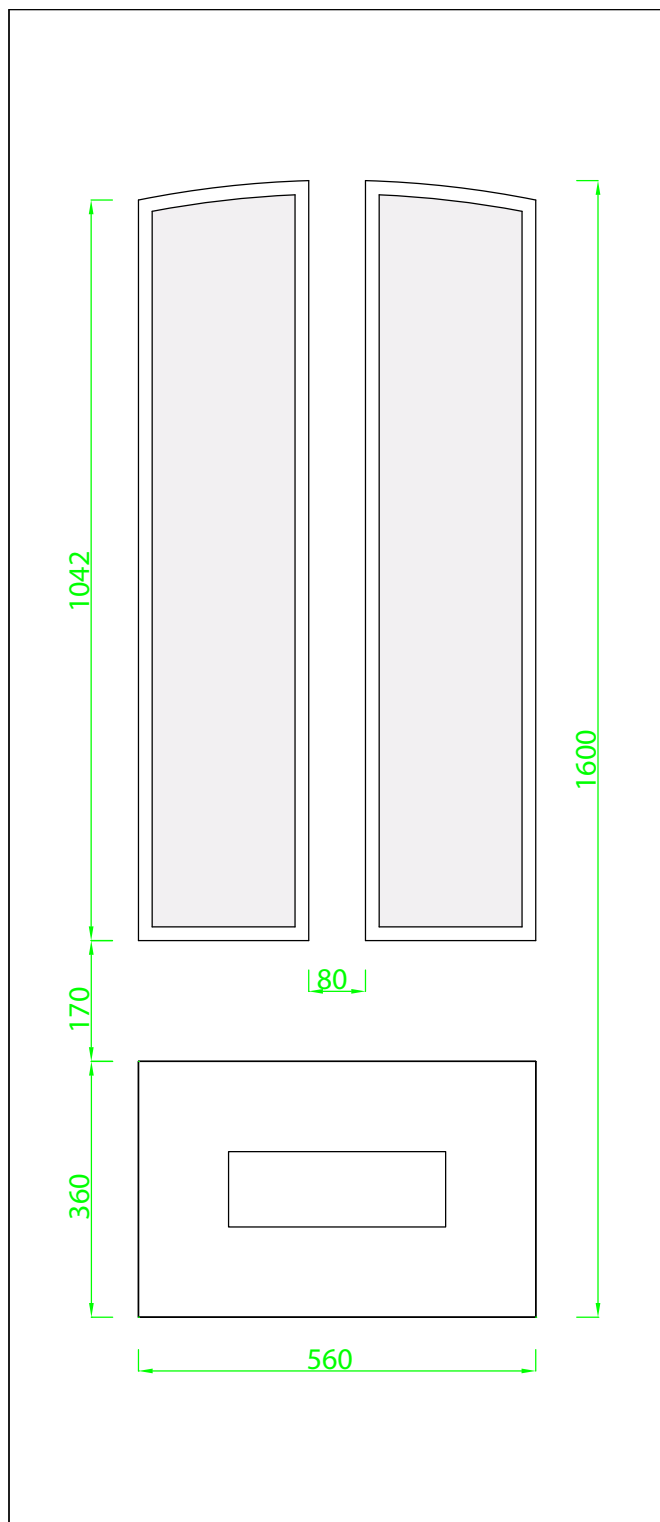
PVC-U Thresholds ►

Ali Thresholds / Tie Bars ►

Cills ►

Add On / Frame Extensions ►

Back to Contents ►



Door Sash

Width

Max: 908mm

Min: 768mm

Height

Max: 2098mm

Min: 1808mm

Profile Dimensions:

72 Frame: 52mm+4mm air gap = **56mm**

52 Frame: 32mm+4mm air gap = **36mm**

Ali low threshold open IN = **20mm**

Ali low threshold open OUT = **17mm**

Cill = **30mm**

Width

72 Frame

Max = (Max sash width + 56mm + 56mm)

Min = (Min sash width + 56mm + 56mm)

52 Frame

Max = (Max sash width + 36mm + 36mm)

Min = (Min sash width + 36mm + 36mm)

Height

72 Frame low threshold open IN

Max = (Max sash height + 56mm + 20mm)

Min = (Min sash height + 56mm + 20mm)

52 Frame low threshold open IN

Max = (Max sash height + 36mm + 20mm)

Min = (Min sash height + 36mm + 20mm)

Double Door Width 72mm Frame

Max = (Max sash width + Max sash width + 56mm + 56mm + 8mm)

Min = (Min sash width + Min sash width + 56mm + 56mm + 8mm)

Press Glazing

Unit Thickness: 22

Unit Size: 240 X 1067 (2 Off)

Aperture: 202 X 1030 (2 Off)

Press Bead Glazing

N/A

The overall frame dimensions can be increased or reduced by using other profiles:

Door Outer Frame ►

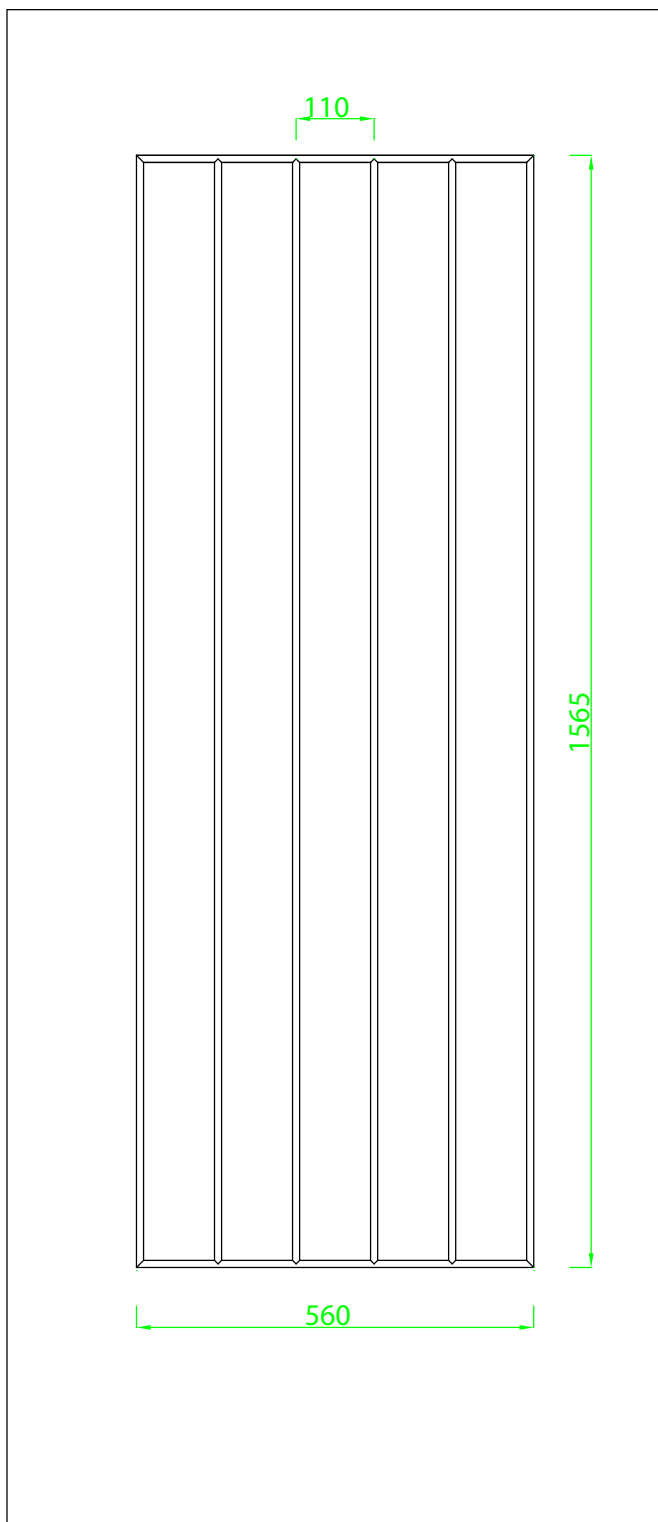
PVC-U Thresholds ►

Ali Thresholds / Tie Bars ►

Cills ►

Add On / Frame Extensions ►

Back to Contents ►



Door Sash

Width

Max: 908mm

Min: 768mm

Height

Max: 2098mm

Min: 1808mm

Profile Dimensions:

72 Frame: 52mm+4mm air gap = **56mm**

52 Frame: 32mm+4mm air gap = **36mm**

Ali low threshold open IN = **20mm**

Ali low threshold open OUT = **17mm**

Cill = **30mm**

Width

72 Frame

Max = (Max sash width + 56mm + 56mm)

Min = (Min sash width + 56mm + 56mm)

52 Frame

Max = (Max sash width + 36mm + 36mm)

Min = (Min sash width + 36mm + 36mm)

Height

72 Frame low threshold open IN

Max = (Max sash height + 56mm + 20mm)

Min = (Min sash height + 56mm + 20mm)

52 Frame low threshold open IN

Max = (Max sash height + 36mm + 20mm)

Min = (Min sash height + 36mm + 20mm)

Double Door Width 72mm Frame

Max = (Max sash width + Max sash width + 56mm + 56mm + 8mm)

Min = (Min sash width + Min sash width + 56mm + 56mm + 8mm)

The overall frame dimensions can be increased or reduced by using other profiles:

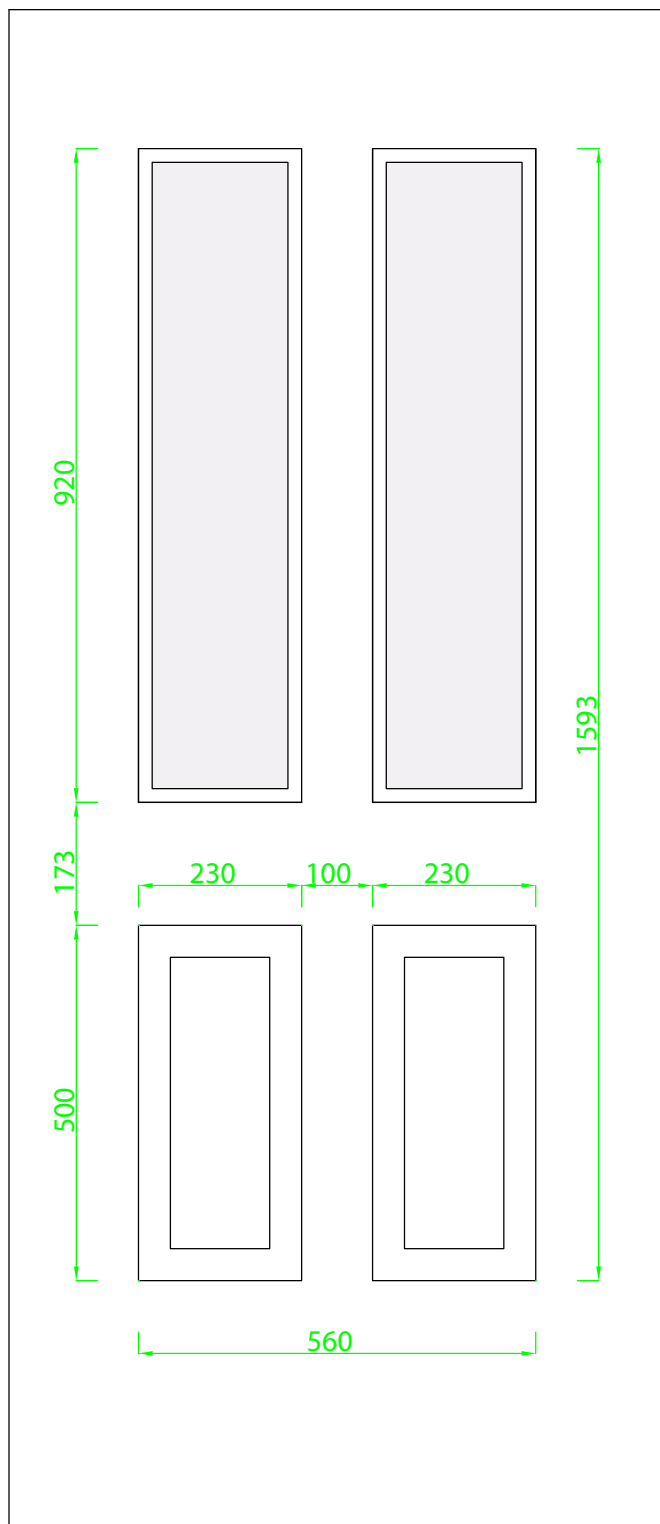
Door Outer Frame ►

PVC-U Thresholds ►

Ali Thresholds / Tie Bars ►

Cills ►

Add On / Frame Extensions ►



Door Sash

Width

Max: 908mm

Min: 753mm

Height

Max: 2098mm

Min: 1801mm

Profile Dimensions:

72 Frame: 52mm+4mm air gap = **56mm**

52 Frame: 32mm+4mm air gap = **36mm**

Ali low threshold open IN = 20mm

Ali low threshold open OUT = 17mm

Cill = 30mm

Width

72 Frame

Max = (Max sash width + 56mm + 56mm)

Min = (Min sash width + 56mm + 56mm)

52 Frame

Max = (Max sash width + 36mm + 36mm)

Min = (Min sash width + 36mm + 36mm)

Height

72 Frame low threshold open IN

Max = (Max sash height + 56mm + 20mm)

Min = (Min sash height + 56mm + 20mm)

52 Frame low threshold open IN

Max = (Max sash height + 36mm + 20mm)

Min = (Min sash height + 36mm + 20mm)

Double Door Width 72mm Frame

Max = (Max sash width + Max sash width + 56mm + 56mm + 8mm)

Min = (Min sash width + Min sash width + 56mm + 56mm + 8mm)

Press Glazing

Unit Thickness: 22

Unit Size: 220 X 910

Aperture: 180 X 866

Press Bead Glazing

Unit Thickness: 24

Unit Size: 188 X 875

Aperture: 155 X 842

The overall frame dimensions can be increased or reduced by using other profiles:

Door Outer Frame ►

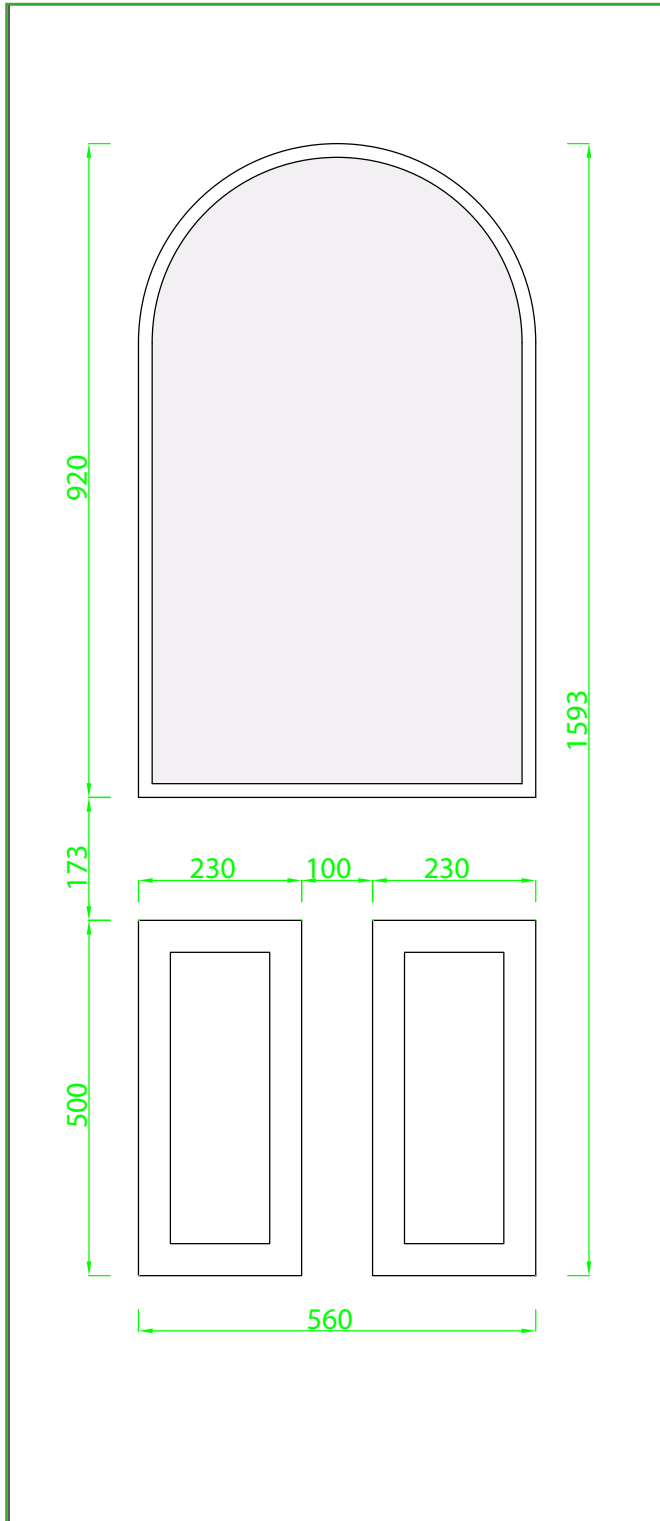
PVC-U Thresholds ►

Ali Thresholds / Tie Bars ►

Cills ►

Add On / Frame Extensions ►

Back to Contents ►



Door Sash

Width

Max: 908mm
Min: 768mm

Height

Max: 2098mm
Min: 1801mm

Profile Dimensions:

72 Frame: 52mm+4mm air gap = **56mm**

52 Frame: 32mm+4mm air gap = **36mm**

Ali low threshold open IN = 20mm

Ali low threshold open OUT = 17mm

Cill = 30mm

Width

72 Frame

Max = (Max sash width + 56mm + 56mm)

Min = (Min sash width + 56mm + 56mm)

52 Frame

Max = (Max sash width + 36mm + 36mm)

Min = (Min sash width + 36mm + 36mm)

Height

72 Frame low threshold open IN

Max = (Max sash height + 56mm + 20mm)

Min = (Min sash height + 56mm + 20mm)

52 Frame low threshold open IN

Max = (Max sash height + 36mm + 20mm)

Min = (Min sash height + 36mm + 20mm)

Double Door Width 72mm Frame

Max = (Max sash width + Max sash width + 56mm + 56mm + 8mm)

Min = (Min sash width + Min sash width + 56mm + 56mm + 8mm)

Press Glazing

Unit Thickness: 22

Unit Size: 560 X 912

Aperture: 508 X 867

Press Bead Glazing

Unit Thickness: 24

Unit Size: 516 X 875

Aperture: 482 X 840

The overall frame dimensions can be increased or reduced by using other profiles:

Door Outer Frame ►

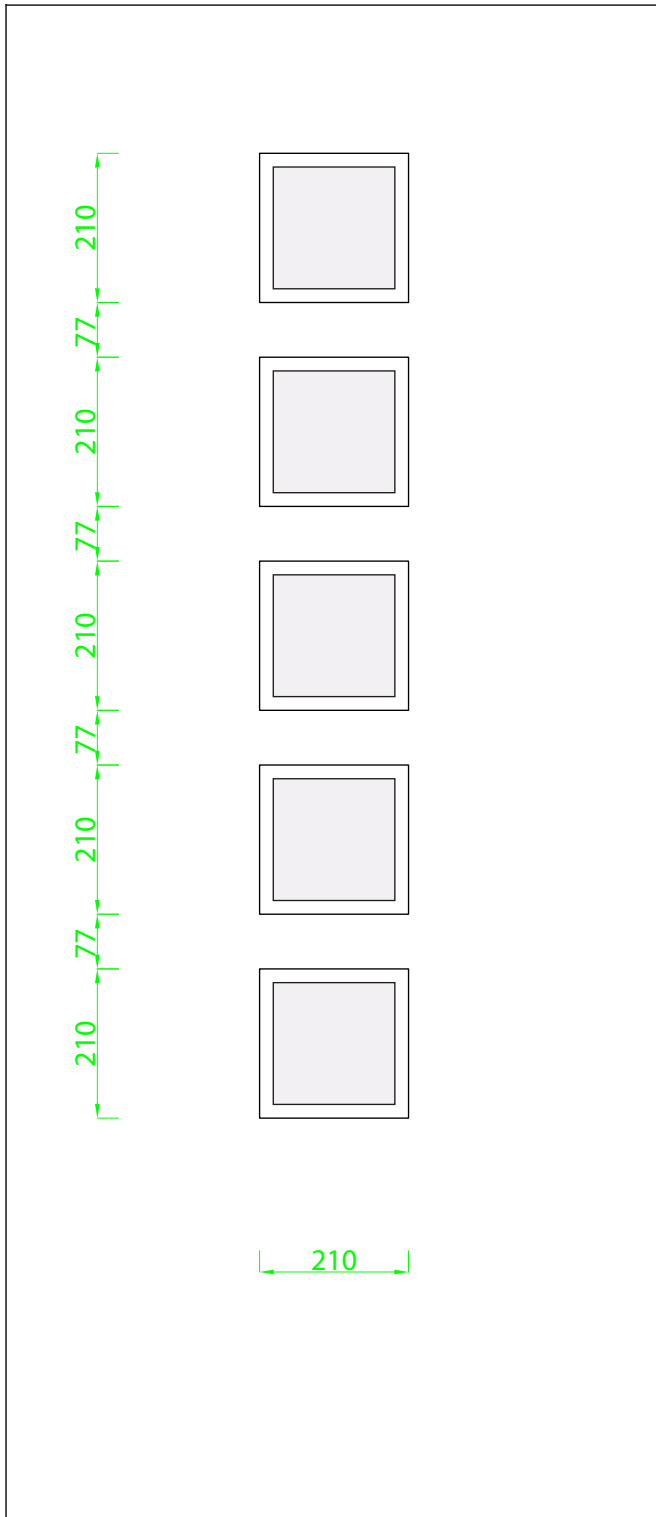
PVC-U Thresholds ►

Ali Thresholds / Tie Bars ►

Cills ►

Add On / Frame Extensions ►

Back to Contents ►



Door Sash

Width

Max: 908mm
Min: 679mm

Height

Max: 2098mm
Min: 1800mm

Profile Dimensions:

72 Frame: 52mm+4mm air gap = **56mm**

52 Frame: 32mm+4mm air gap = **36mm**

Ali low threshold open **IN** = **20mm**

Ali low threshold open **OUT** = **17mm**

Cill = **30mm**

Width

72 Frame

Max = (Max sash width + 56mm + 56mm)

Min = (Min sash width + 56mm + 56mm)

52 Frame

Max = (Max sash width + 36mm + 36mm)

Min = (Min sash width + 36mm + 36mm)

Height

72 Frame low threshold open IN

Max = (Max sash height + 56mm + 20mm)

Min = (Min sash height + 56mm + 20mm)

52 Frame low threshold open IN

Max = (Max sash height + 36mm + 20mm)

Min = (Min sash height + 36mm + 20mm)

Double Door Width 72mm Frame

Max = (Max sash width + Max sash width + 56mm + 56mm + 8mm)

Min = (Min sash width + Min sash width + 56mm + 56mm + 8mm)

Press Glazing

Unit Thickness: 22

Unit Size: 212 X 212

Aperture: 172 X 172

The overall frame dimensions can be increased or reduced by using other profiles:

Door Outer Frame ►

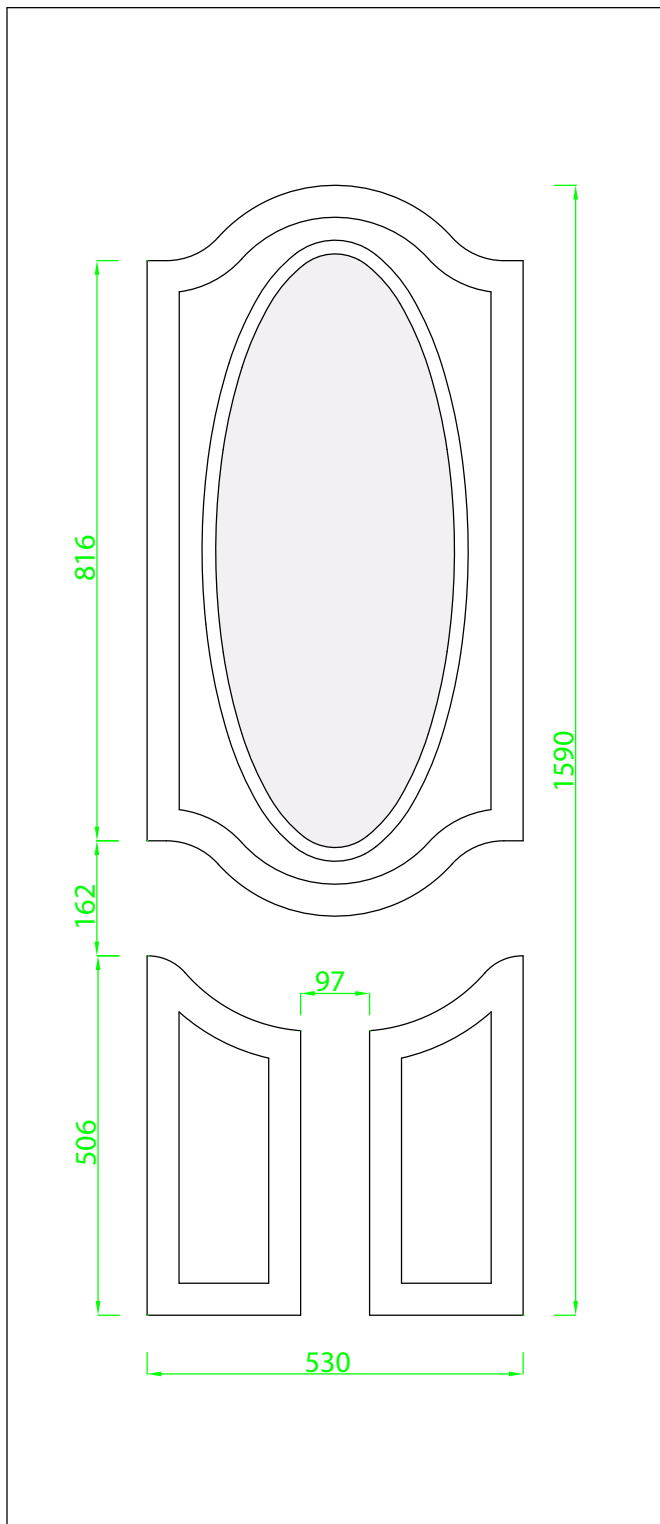
PVC-U Thresholds ►

Ali Thresholds / Tie Bars ►

Cills ►

Add On / Frame Extensions ►

Back to Contents ►



Door Sash

Width

Max: 908mm

Min: 684mm

Height

Max: 2098mm

Min: 1797mm

Profile Dimensions:

72 Frame: 52mm+4mm air gap = **56mm**

52 Frame: 32mm+4mm air gap = **36mm**

Ali low threshold open **IN** = **20mm**

Ali low threshold open **OUT** = **17mm**

Cill = **30mm**

Width

72 Frame

Max = (Max sash width + 56mm + 56mm)

Min = (Min sash width + 56mm + 56mm)

52 Frame

Max = (Max sash width + 36mm + 36mm)

Min = (Min sash width + 36mm + 36mm)

Height

72 Frame low threshold open IN

Max = (Max sash height + 56mm + 20mm)

Min = (Min sash height + 56mm + 20mm)

52 Frame low threshold open IN

Max = (Max sash height + 36mm + 20mm)

Min = (Min sash height + 36mm + 20mm)

Double Door Width 72mm Frame

Max = (Max sash width + Max sash width + 56mm + 56mm + 8mm)

Min = (Min sash width + Min sash width + 56mm + 56mm + 8mm)

Press Glazing

Unit Thickness: 22

Unit Size: 365 X 862

Aperture: 320 X 819

Press Bead Glazing

N/A

The overall frame dimensions can be increased or reduced by using other profiles:

Door Outer Frame ►

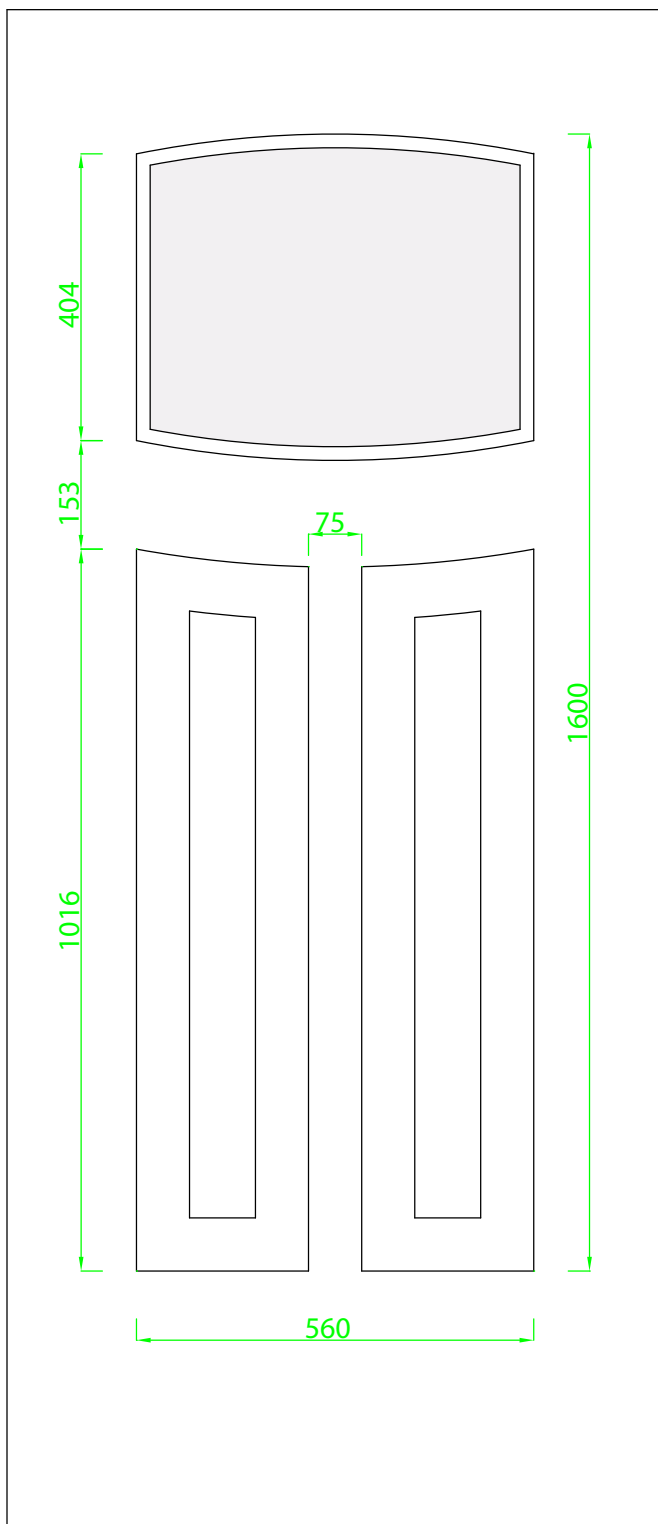
PVC-U Thresholds ►

Ali Thresholds / Tie Bars ►

Cills ►

Add On / Frame Extensions ►

Back to Contents ►



Door Sash

Width

Max: 908mm

Min: 769mm

Height

Max: 2098mm

Min: 1809mm

Profile Dimensions:

72 Frame: 52mm+4mm air gap = **56mm**

52 Frame: 32mm+4mm air gap = **36mm**

Ali low threshold open IN = **20mm**

Ali low threshold open OUT = **17mm**

Cill = **30mm**

Width

72 Frame

Max = (Max sash width + 56mm + 56mm)

Min = (Min sash width + 56mm + 56mm)

52 Frame

Max = (Max sash width + 36mm + 36mm)

Min = (Min sash width + 36mm + 36mm)

Height

72 Frame low threshold open IN

Max = (Max sash height + 56mm + 20mm)

Min = (Min sash height + 56mm + 20mm)

52 Frame low threshold open IN

Max = (Max sash height + 36mm + 20mm)

Min = (Min sash height + 36mm + 20mm)

Double Door Width 72mm Frame

Max = (Max sash width + Max sash width + 56mm + 56mm + 8mm)

Min = (Min sash width + Min sash width + 56mm + 56mm + 8mm)

Press Glazing

Unit Thickness: 22

Unit Size: 547 X 447

Aperture: 512 X 409

Press Bead Glazing

N/A

The overall frame dimensions can be increased or reduced by using other profiles:

Door Outer Frame ►

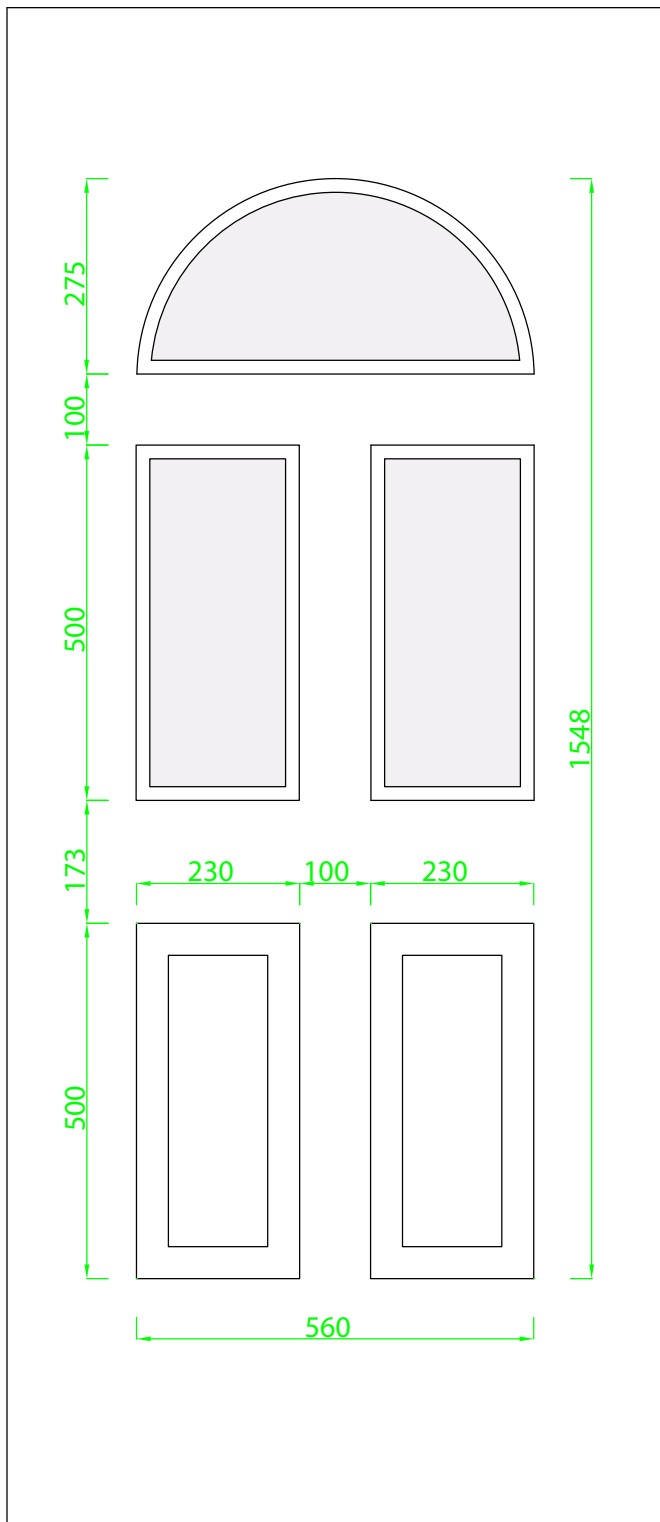
PVC-U Thresholds ►

Ali Thresholds / Tie Bars ►

Cills ►

Add On / Frame Extensions ►

Back to Contents ►



Door Sash

Width

Max: 908mm

Min: 748mm

Height

Max: 2098mm

Min: 1748mm

Profile Dimensions:

72 Frame: 52mm+4mm air gap = **56mm**

52 Frame: 32mm+4mm air gap = **36mm**

Ali low threshold open IN = 20mm

Ali low threshold open OUT = 17mm

Cill = 30mm

Width

72 Frame

Max = (Max sash width + 56mm + 56mm)

Min = (Min sash width + 56mm + 56mm)

52 Frame

Max = (Max sash width + 36mm + 36mm)

Min = (Min sash width + 36mm + 36mm)

Height

72 Frame low threshold open IN

Max = (Max sash height + 56mm + 20mm)

Min = (Min sash height + 56mm + 20mm)

52 Frame low threshold open IN

Max = (Max sash height + 36mm + 20mm)

Min = (Min sash height + 36mm + 20mm)

Double Door Width 72mm Frame

Max = (Max sash width + Max sash width + 56mm + 56mm + 8mm)

Min = (Min sash width + Min sash width + 56mm + 56mm + 8mm)

The overall frame dimensions can be increased or reduced by using other profiles:

Door Outer Frame ►

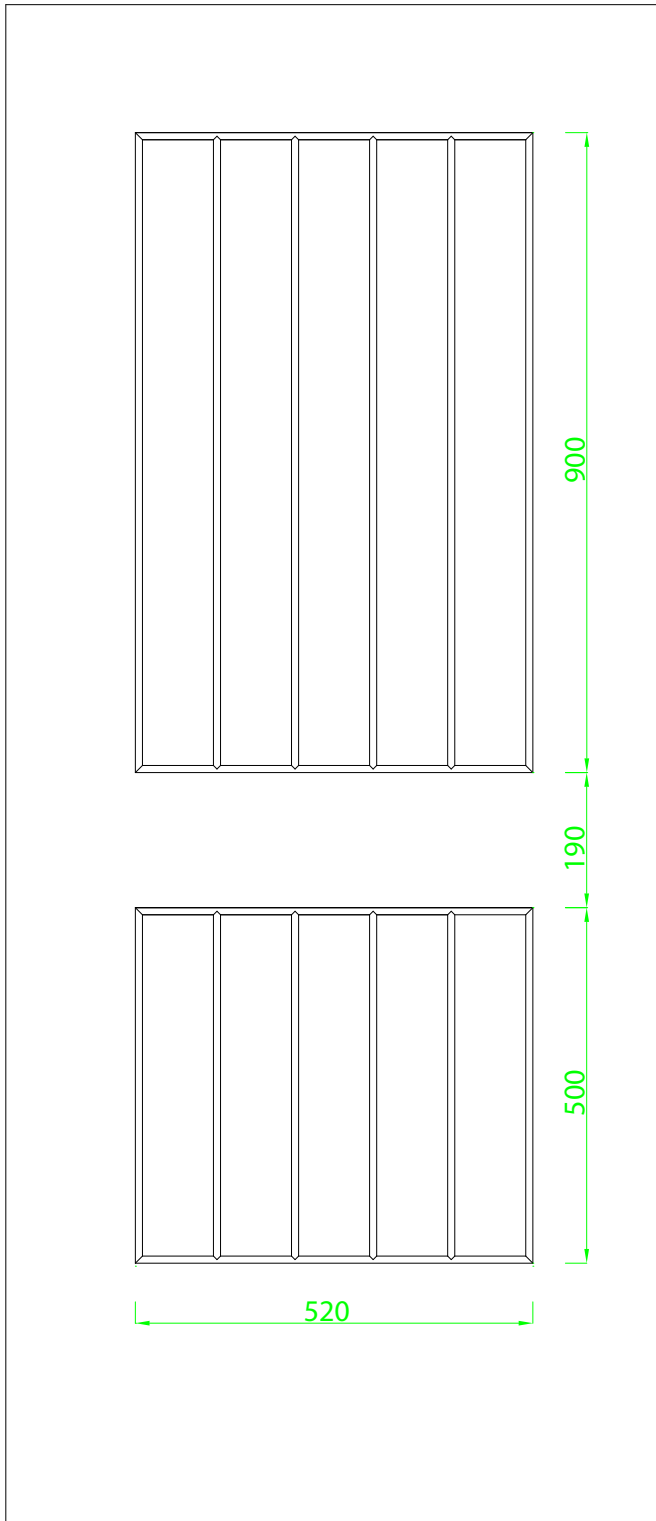
PVC-U Thresholds ►

Ali Thresholds / Tie Bars ►

Cills ►

Add On / Frame Extensions ►

Back to Contents ►



Door Sash

Width

Max: 904mm

Min: 688mm

Height

Max: 2098mm

Min: 1768mm

Profile Dimensions:

72 Frame: 52mm+4mm air gap = **56mm**

52 Frame: 32mm+4mm air gap = **36mm**

Ali low threshold open IN = **20mm**

Ali low threshold open OUT = **17mm**

Cill = **30mm**

Width

72 Frame

Max = (Max sash width + 56mm + 56mm)

Min = (Min sash width + 56mm + 56mm)

52 Frame

Max = (Max sash width + 36mm + 36mm)

Min = (Min sash width + 36mm + 36mm)

Height

72 Frame low threshold open IN

Max = (Max sash height + 56mm + 20mm)

Min = (Min sash height + 56mm + 20mm)

52 Frame low threshold open IN

Max = (Max sash height + 36mm + 20mm)

Min = (Min sash height + 36mm + 20mm)

Double Door Width 72mm Frame

Max = (Max sash width + Max sash width + 56mm + 56mm + 8mm)

Min = (Min sash width + Min sash width + 56mm + 56mm + 8mm)

The overall frame dimensions can be increased or reduced by using other profiles:

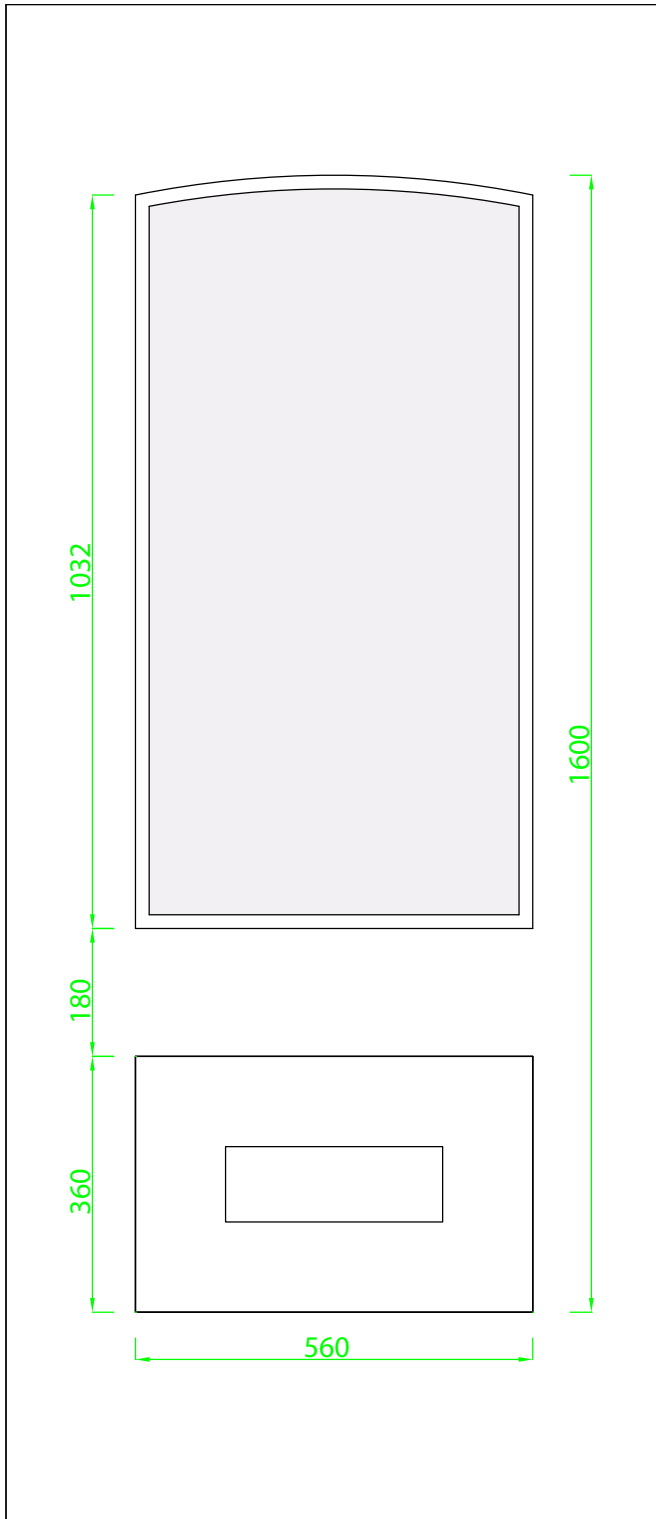
Door Outer Frame ►

PVC-U Thresholds ►

Ali Thresholds / Tie Bars ►

Cills ►

Add On / Frame Extensions ►



Door Sash

Width

Max: 908mm

Min: 768mm

Height

Max: 2098mm

Min: 1808mm

Profile Dimensions:

72 Frame: 52mm+4mm air gap = **56mm**

52 Frame: 32mm+4mm air gap = **36mm**

Ali low threshold open **IN** = **20mm**

Ali low threshold open **OUT** = **17mm**

Cill = **30mm**

Width

72 Frame

Max = (Max sash width + 56mm + 56mm)

Min = (Min sash width + 56mm + 56mm)

52 Frame

Max = (Max sash width + 36mm + 36mm)

Min = (Min sash width + 36mm + 36mm)

Height

72 Frame low threshold open IN

Max = (Max sash height + 56mm + 20mm)

Min = (Min sash height + 56mm + 20mm)

52 Frame low threshold open IN

Max = (Max sash height + 36mm + 20mm)

Min = (Min sash height + 36mm + 20mm)

Double Door Width 72mm Frame

Max = (Max sash width + Max sash width + 56mm + 56mm + 8mm)

Min = (Min sash width + Min sash width + 56mm + 56mm + 8mm)

Press Glazing

Unit Thickness: 22

Unit Size: 547 X 1047

Aperture: 512 X 1011

Press Bead Glazing

N/A

The overall frame dimensions can be increased or reduced by using other profiles:

Door Outer Frame ►

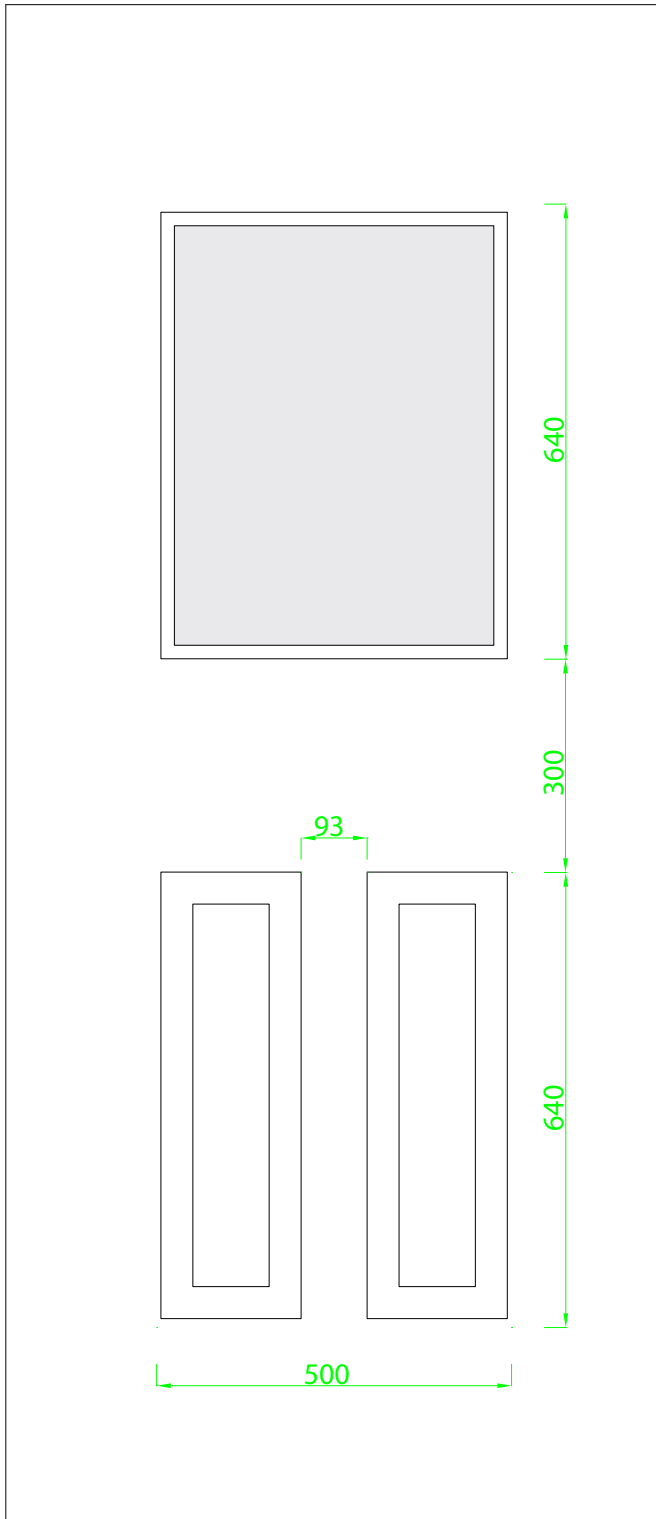
PVC-U Thresholds ►

Ali Thresholds / Tie Bars ►

Cills ►

Add On / Frame Extensions ►

Back to Contents ►



Door Sash

Width

Max: 908mm

Min: 696mm

Height

Max: 2098mm

Min: 1764mm

Profile Dimensions:

72 Frame: 52mm+4mm air gap = **56mm**

52 Frame: 32mm+4mm air gap = **36mm**

Ali low threshold open IN = 20mm

Ali low threshold open OUT = 17mm

Cill = 30mm

Width

72 Frame

Max = (Max sash width + 56mm + 56mm)

Min = (Min sash width + 56mm + 56mm)

52 Frame

Max = (Max sash width + 36mm + 36mm)

Min = (Min sash width + 36mm + 36mm)

Height

72 Frame low threshold open IN

Max = (Max sash height + 56mm + 20mm)

Min = (Min sash height + 56mm + 20mm)

52 Frame low threshold open IN

Max = (Max sash height + 36mm + 20mm)

Min = (Min sash height + 36mm + 20mm)

Double Door Width 72mm Frame

Max = (Max sash width + Max sash width + 56mm + 56mm + 8mm)

Min = (Min sash width + Min sash width + 56mm + 56mm + 8mm)

Press Glazing

N/A

Press Bead Glazing

Unit Thickness: 24

Unit Size: 440 X 580

Aperture: 410 X 550

The overall frame dimensions can be increased or reduced by using other profiles:

Door Outer Frame ►

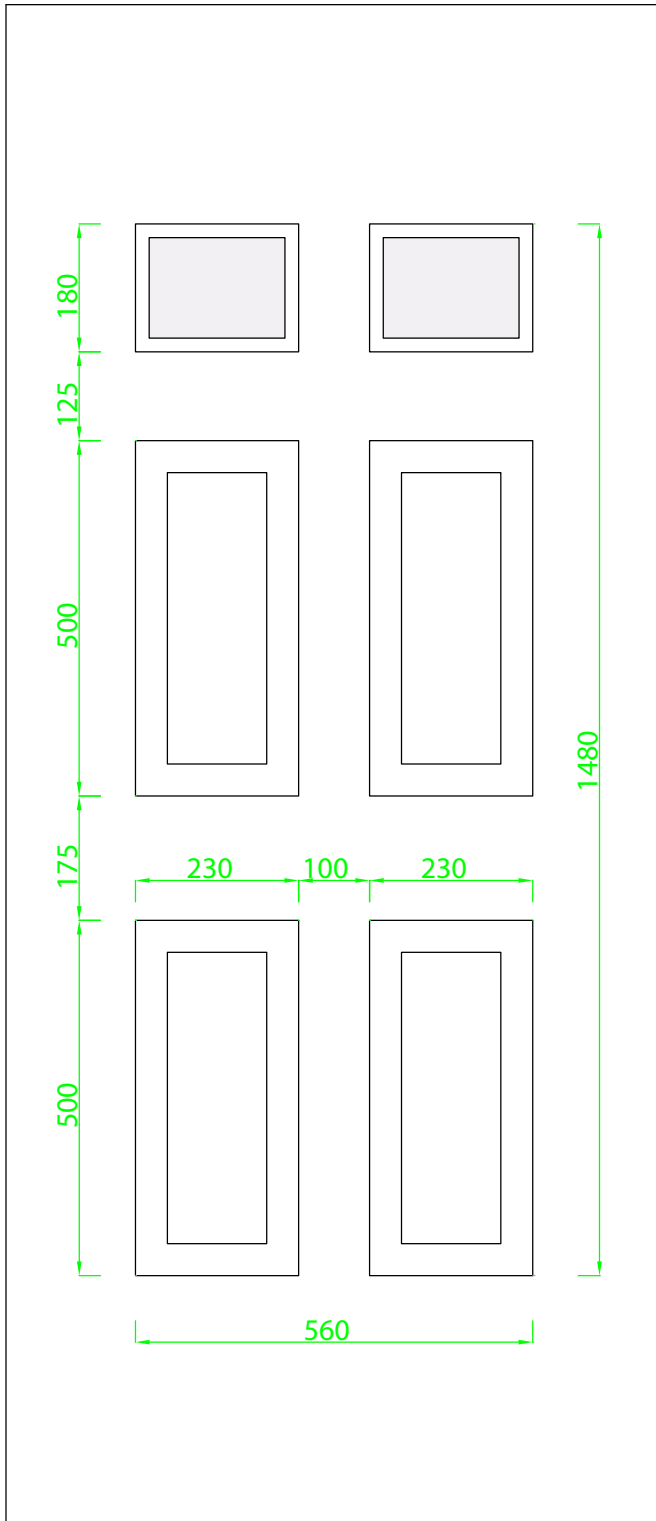
PVC-U Thresholds ►

Ali Thresholds / Tie Bars ►

Cills ►

Add On / Frame Extensions ►

Back to Contents ►



Door Sash

Width

Max: 908mm

Min: 769mm

Height

Max: 2098mm

Min: 1728mm

Profile Dimensions:

72 Frame: 52mm+4mm air gap = **56mm**

52 Frame: 32mm+4mm air gap = **36mm**

Ali low threshold open IN = 20mm

Ali low threshold open OUT = 17mm

Cill = 30mm

Width

72 Frame

Max = (Max sash width + 56mm + 56mm)

Min = (Min sash width + 56mm + 56mm)

52 Frame

Max = (Max sash width + 36mm + 36mm)

Min = (Min sash width + 36mm + 36mm)

Height

72 Frame low threshold open IN

Max = (Max sash height + 56mm + 20mm)

Min = (Min sash height + 56mm + 20mm)

52 Frame low threshold open IN

Max = (Max sash height + 36mm + 20mm)

Min = (Min sash height + 36mm + 20mm)

Double Door Width 72mm Frame

Max = (Max sash width + Max sash width + 56mm + 56mm + 8mm)

Min = (Min sash width + Min sash width + 56mm + 56mm + 8mm)

Press Glazing

Unit Thickness: 22

Unit Size: 230 X 175

Aperture: 187 X 140

Press Bead Glazing

N/A

The overall frame dimensions can be increased or reduced by using other profiles:

Door Outer Frame ►

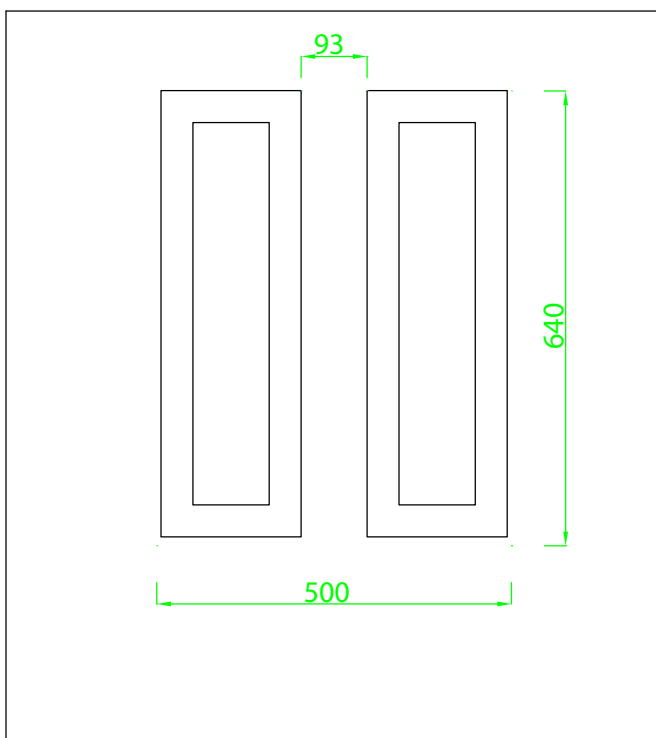
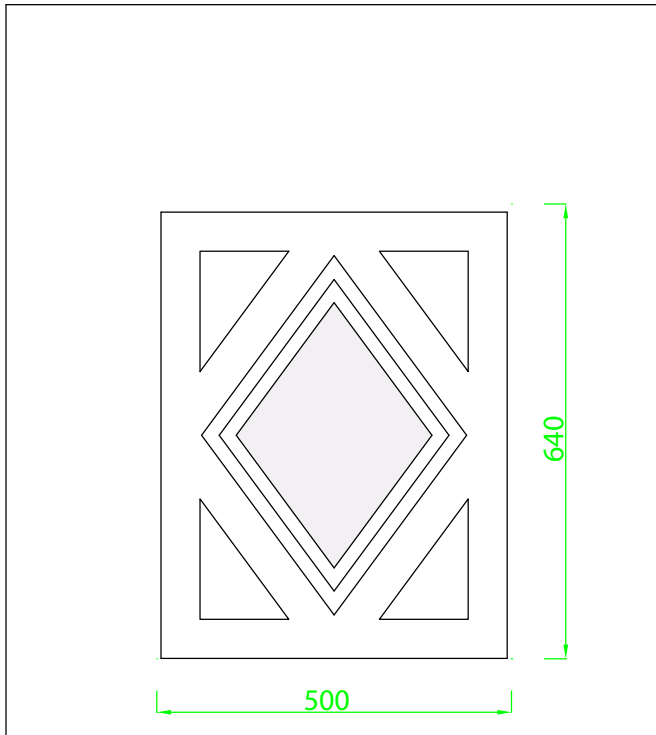
PVC-U Thresholds ►

Ali Thresholds / Tie Bars ►

Cills ►

Add On / Frame Extensions ►

Back to Contents ►



Door Sash

Width

Max: 908mm

Min: 696mm

Height

Max: 2018mm

Min: 1708mm

Profile Dimensions:

72 Frame: 52mm+4mm air gap = **56mm**

52 Frame: 32mm+4mm air gap = **36mm**

Ali low threshold open IN = 20mm

Ali low threshold open OUT = 17mm

Cill = 30mm

Width

72 Frame

Max = (Max sash width + 56mm + 56mm)

Min = (Min sash width + 56mm + 56mm)

52 Frame

Max = (Max sash width + 36mm + 36mm)

Min = (Min sash width + 36mm + 36mm)

Height

72 Frame low threshold open IN

Max = (Max sash height + 56mm + 20mm)

Min = (Min sash height + 56mm + 20mm)

52 Frame low threshold open IN

Max = (Max sash height + 36mm + 20mm)

Min = (Min sash height + 36mm + 20mm)

Double Door Width 72mm Frame

N/A

Press Glazing

Unit Thickness: 22

Unit Size:

320 X 435

Aperture:

277 X 371

Press Bead Glazing

N/A

The overall frame dimensions can be increased or reduced by using other profiles:

Door Outer Frame ►

PVC-U Thresholds ►

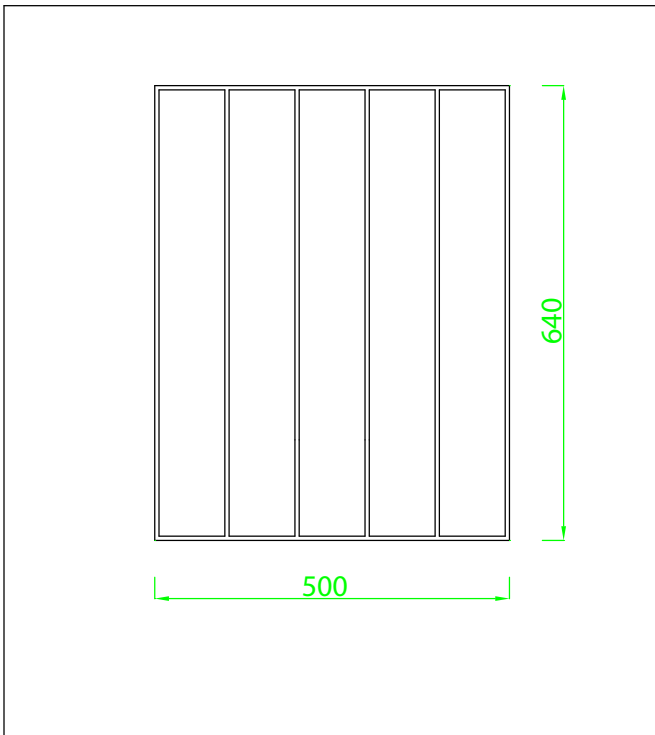
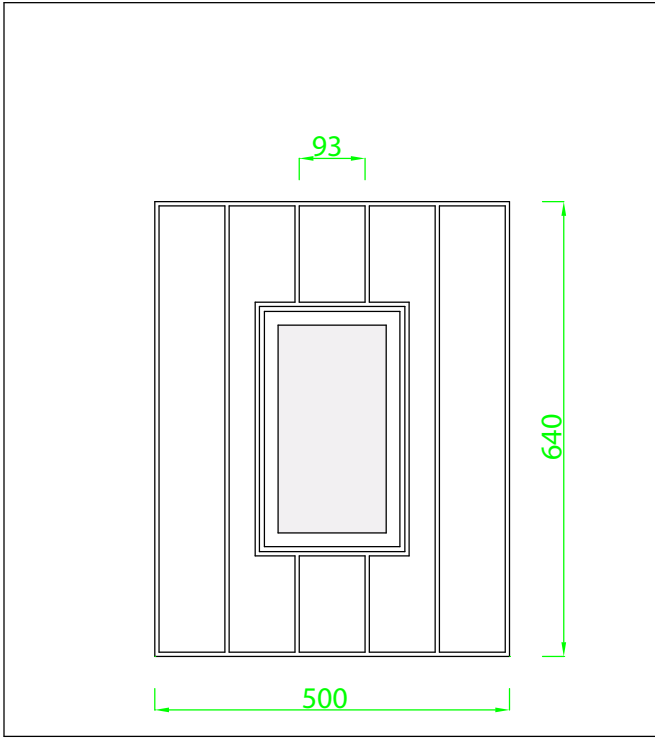
Ali Thresholds / Tie Bars ►

Cills ►

Add On / Frame Extensions ►

Back to Contents ►





Door Sash

Width

Max: 908mm
Min: 673mm

Height

Max: 2018mm
Min: 1668mm

Profile Dimensions:

72 Frame: 52mm+4mm air gap = **56mm**

52 Frame: 32mm+4mm air gap = **36mm**

Ali low threshold open IN = 20mm

Ali low threshold open OUT = 17mm

Cill = 30mm

Width

72 Frame

Max = (Max sash width + 56mm + 56mm)

Min = (Min sash width + 56mm + 56mm)

52 Frame

Max = (Max sash width + 36mm + 36mm)

Min = (Min sash width + 36mm + 36mm)

Height

72 Frame low threshold open IN

Max = (Max sash height + 56mm + 20mm)

Min = (Min sash height + 56mm + 20mm)

52 Frame low threshold open IN

Max = (Max sash height + 36mm + 20mm)

Min = (Min sash height + 36mm + 20mm)

Double Door Width 72mm Frame

N/A

Press Glazing

Unit Thickness: 22

Unit Size: 150 X 300

Aperture: 109 X 252

Press Bead Glazing

N/A

The overall frame dimensions can be increased or reduced by using other profiles:

Door Outer Frame ►

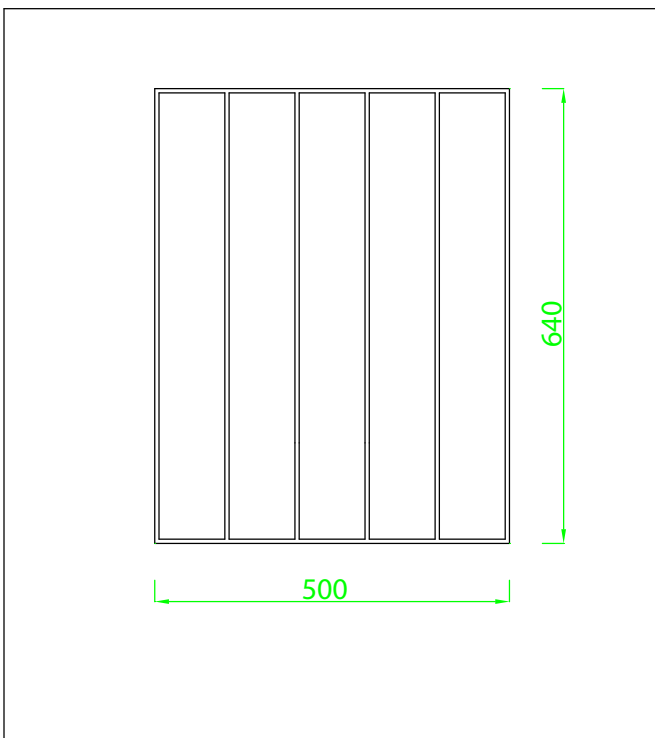
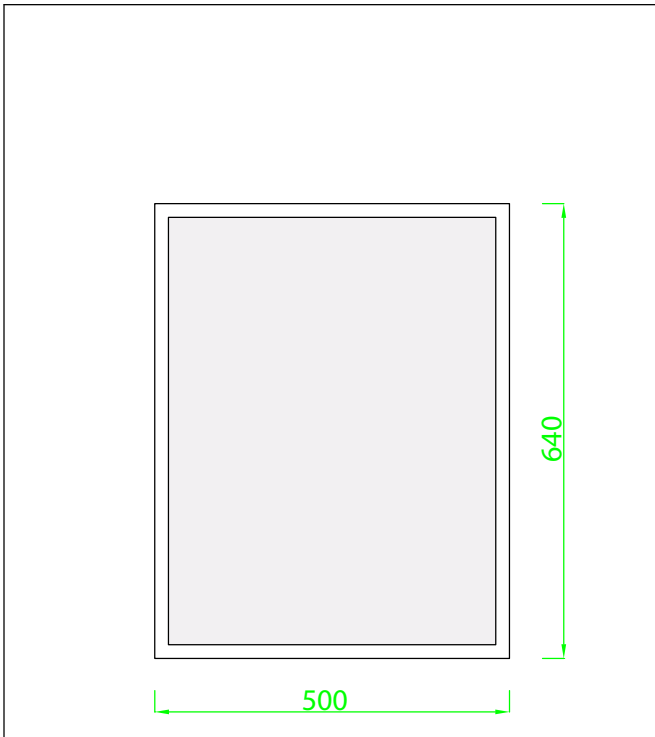
PVC-U Thresholds ►

Ali Thresholds / Tie Bars ►

Cills ►

Add On / Frame Extensions ►

Back to Contents ►



Door Sash

Width

Max: 908mm

Min: 708mm

Height

Max: 2018mm

Min: 1708mm

Profile Dimensions:

72 Frame: 52mm+4mm air gap = **56mm**

52 Frame: 32mm+4mm air gap = **36mm**

Ali low threshold open IN = 20mm

Ali low threshold open OUT = 17mm

Cill = 30mm

Width

72 Frame

Max = (Max sash width + 56mm + 56mm)

Min = (Min sash width + 56mm + 56mm)

52 Frame

Max = (Max sash width + 36mm + 36mm)

Min = (Min sash width + 36mm + 36mm)

Height

72 Frame low threshold open IN

Max = (Max sash height + 56mm + 20mm)

Min = (Min sash height + 56mm + 20mm)

52 Frame low threshold open IN

Max = (Max sash height + 36mm + 20mm)

Min = (Min sash height + 36mm + 20mm)

Double Door Width 72mm Frame

N/A

Press Glazing

Unit Thickness: 22

Unit Size: 485 X 625

Aperture: 436 X 576

Press Bead Glazing

N/A

The overall frame dimensions can be increased or reduced by using other profiles:

Door Outer Frame ►

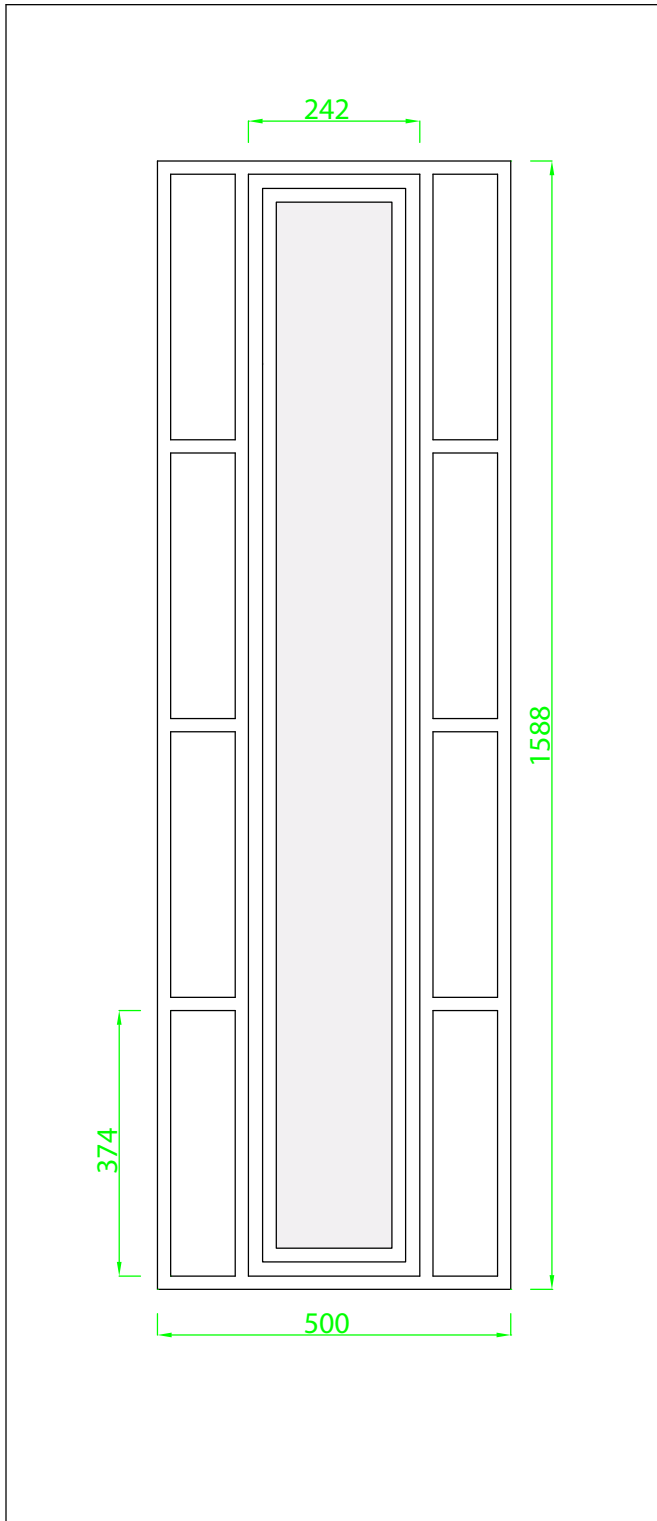
PVC-U Thresholds ►

Ali Thresholds / Tie Bars ►

Cills ►

Add On / Frame Extensions ►

Back to Contents ►



Door Sash

Width

Max: 908mm
Min: 675mm

Height

Max: 2098mm
Min: 1850mm

Profile Dimensions:

72 Frame: 52mm+4mm air gap = **56mm**

52 Frame: 32mm+4mm air gap = **36mm**

Ali low threshold open **IN** = **20mm**

Ali low threshold open **OUT** = **17mm**

Cill = **30mm**

Width

72 Frame

Max = (Max sash width + 56mm + 56mm)

Min = (Min sash width + 56mm + 56mm)

52 Frame

Max = (Max sash width + 36mm + 36mm)

Min = (Min sash width + 36mm + 36mm)

Height

72 Frame low threshold open IN

Max = (Max sash height + 56mm + 20mm)

Min = (Min sash height + 56mm + 20mm)

52 Frame low threshold open IN

Max = (Max sash height + 36mm + 20mm)

Min = (Min sash height + 36mm + 20mm)

Double Door Width 72mm Frame

Max = (Max sash width + Max sash width + 56mm + 56mm + 8mm)

Min = (Min sash width + Min sash width + 56mm + 56mm + 8mm)

Press Glazing

Unit Thickness: 22

Unit Size: 200 X 1510

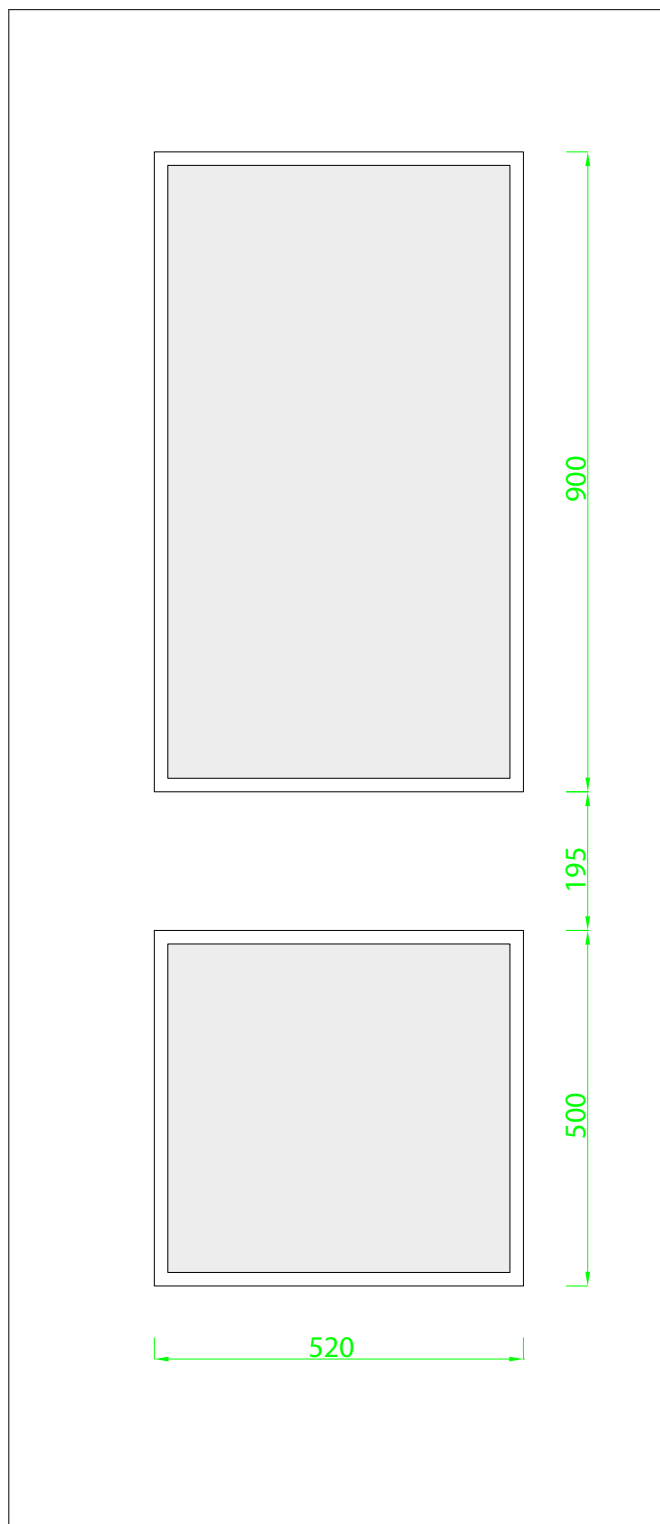
Aperture: 163 X 1472

Press Bead Glazing

N/A

The overall frame dimensions can be increased or reduced by using other profiles:

- Door Outer Frame ►
- PVC-U Thresholds ►
- Ali Thresholds / Tie Bars ►
- Cills ►
- Add On / Frame Extensions ►



Door Sash

Width

Max: 908mm

Min: 728mm

Height

Max: 2098mm

Min: 1803mm

Profile Dimensions:

72 Frame: 52mm+4mm air gap = **56mm**

52 Frame: 32mm+4mm air gap = **36mm**

Ali low threshold open IN = 20mm

Ali low threshold open OUT = 17mm

Cill = 30mm

Width

72 Frame

Max = (Max sash width + 56mm + 56mm)

Min = (Min sash width + 56mm + 56mm)

52 Frame

Max = (Max sash width + 36mm + 36mm)

Min = (Min sash width + 36mm + 36mm)

Height

72 Frame low threshold open IN

Max = (Max sash height + 56mm + 20mm)

Min = (Min sash height + 56mm + 20mm)

52 Frame low threshold open IN

Max = (Max sash height + 36mm + 20mm)

Min = (Min sash height + 36mm + 20mm)

Double Door Width 72mm Frame

Max = (Max sash width + Max sash width + 56mm + 56mm + 8mm)

Min = (Min sash width + Min sash width + 56mm + 56mm + 8mm)

Press Glazing

Unit Thickness: 22

Unit Size: 510 X 890 510 X 490

Aperture: 466 X 846 466 X 448

Press Bead Glazing

Unit Thickness: 24

Unit Size: 470 X 1852 470 X 455

Aperture: 438 X 818 438 X 422

The overall frame dimensions can be increased or reduced by using other profiles:

Door Outer Frame ►

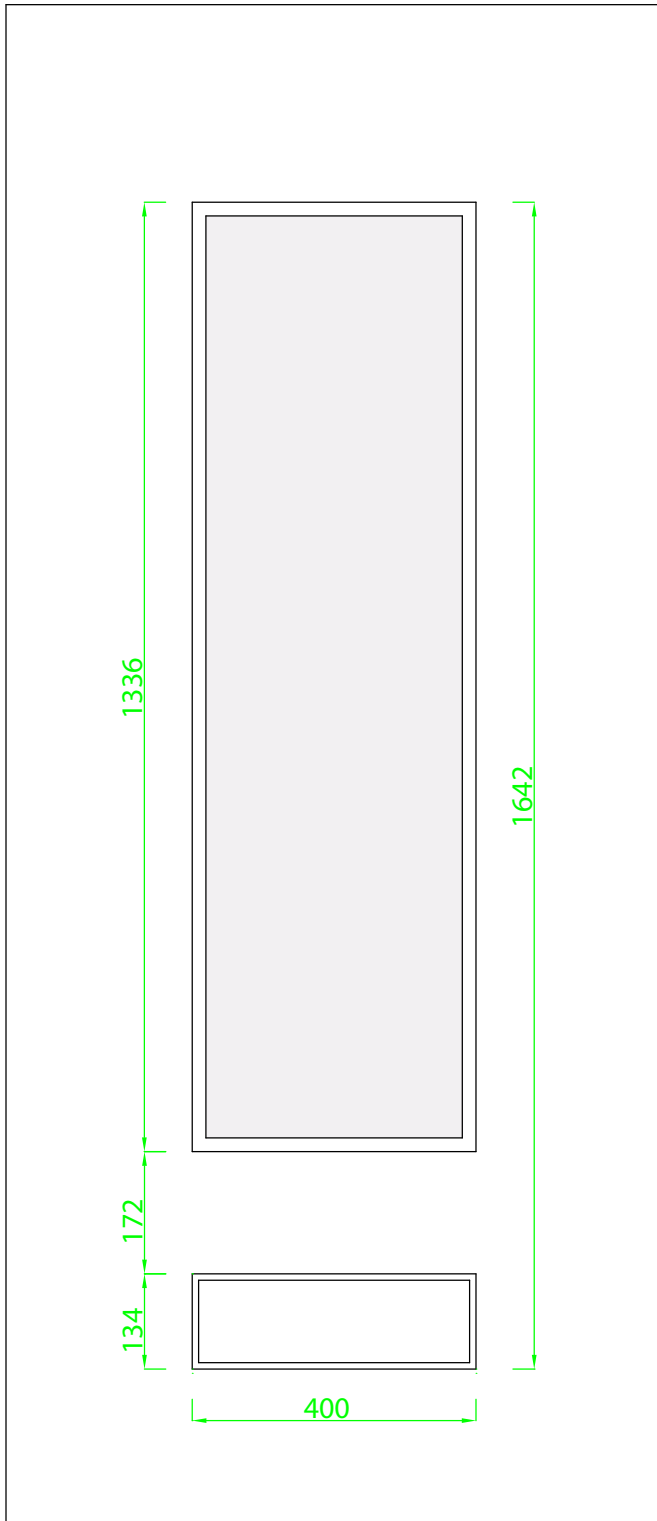
PVC-U Thresholds ►

Ali Thresholds / Tie Bars ►

Cills ►

Add On / Frame Extensions ►

Back to Contents ►



Door Sash

Width

Max: 908mm

Min: 675mm

Height

Max: 2098mm

Min: 1850mm

Profile Dimensions:

72 Frame: 52mm+4mm air gap = **56mm**

52 Frame: 32mm+4mm air gap = **36mm**

Ali low threshold open IN = **20mm**

Ali low threshold open OUT = **17mm**

Cill = **30mm**

Width

72 Frame

Max = (Max sash width + 56mm + 56mm)

Min = (Min sash width + 56mm + 56mm)

52 Frame

Max = (Max sash width + 36mm + 36mm)

Min = (Min sash width + 36mm + 36mm)

Height

72 Frame low threshold open IN

Max = (Max sash height + 56mm + 20mm)

Min = (Min sash height + 56mm + 20mm)

52 Frame low threshold open IN

Max = (Max sash height + 36mm + 20mm)

Min = (Min sash height + 36mm + 20mm)

Double Door Width 72mm Frame

Max = (Max sash width + Max sash width + 56mm + 56mm + 8mm)

Min = (Min sash width + Min sash width + 56mm + 56mm + 8mm)

Press Glazing

Unit Thickness: 22

Unit Size: 387 X 1323

Aperture: 352 X 1288

Press Bead Glazing

N/A

The overall frame dimensions can be increased or reduced by using other profiles:

Door Outer Frame ►

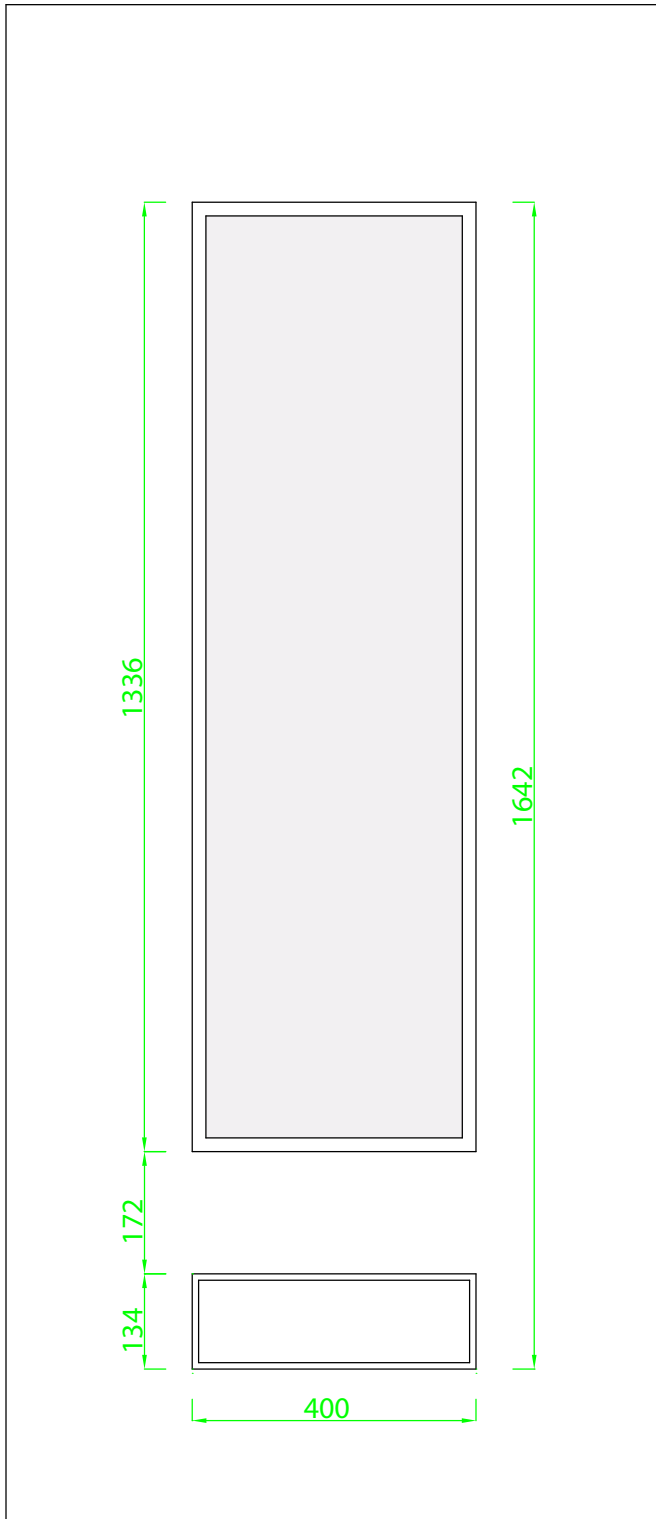
PVC-U Thresholds ►

Ali Thresholds / Tie Bars ►

Cills ►

Add On / Frame Extensions ►

Back to Contents ►



Door Sash

Width

Max: 908mm

Min: 675mm

Height

Max: 2098mm

Min: 1850mm

Profile Dimensions:

72 Frame: 52mm+4mm air gap = **56mm**

52 Frame: 32mm+4mm air gap = **36mm**

Ali low threshold open **IN** = **20mm**

Ali low threshold open **OUT** = **17mm**

Cill = **30mm**

Height

72 Frame low threshold open IN

Max = (Max sash height + 56mm + 20mm)

Min = (Min sash height + 56mm + 20mm)

52 Frame low threshold open IN

Max = (Max sash height + 36mm + 20mm)

Min = (Min sash height + 36mm + 20mm)

Double Door Width 72mm Frame

Max = (Max sash width + Max sash width + 56mm + 56mm + 8mm)

Min = (Min sash width + Min sash width + 56mm + 56mm + 8mm)

Press Glazing

Unit Thickness: 22

Unit Size: 387 X 1323

Aperture: 352 X 1288

Press Bead Glazing

N/A



The overall frame dimensions can be increased or reduced by using other profiles:

Door Outer Frame ►

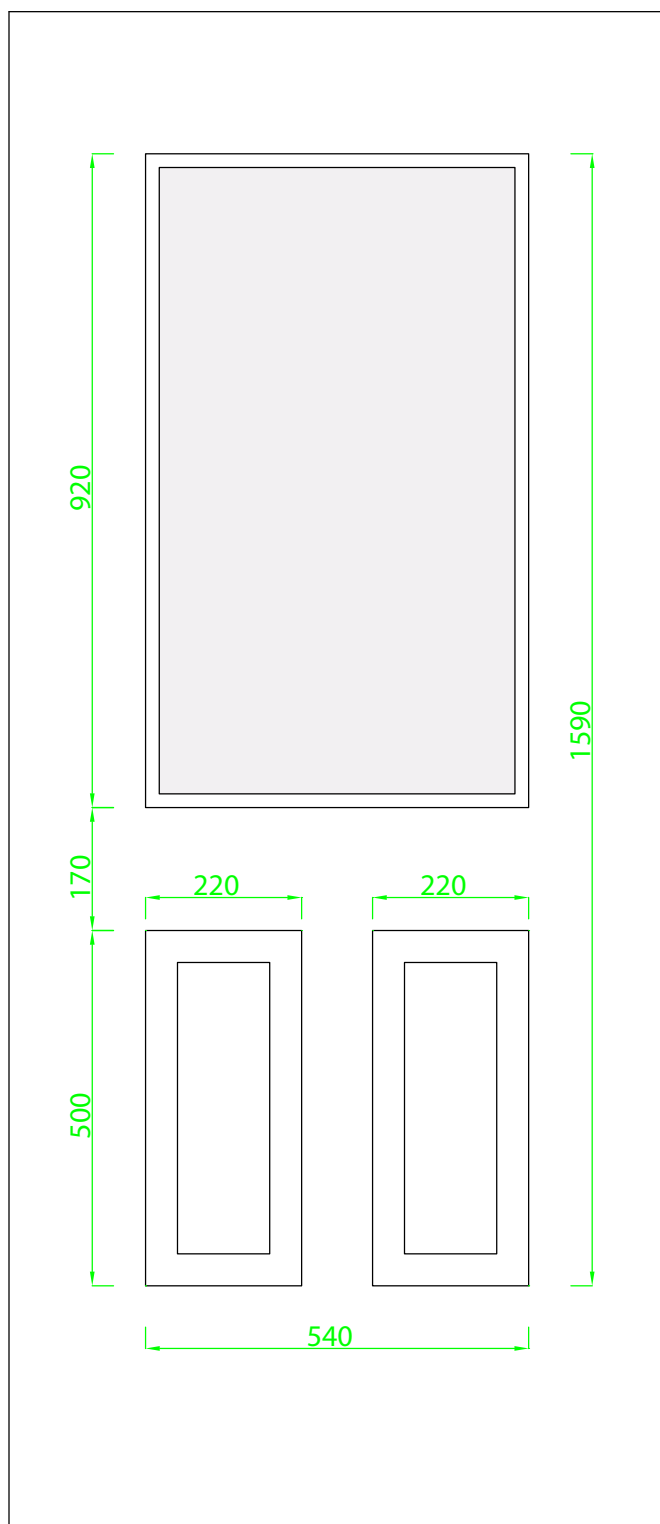
PVC-U Thresholds ►

Ali Thresholds / Tie Bars ►

Cills ►

Add On / Frame Extensions ►

Back to Contents ►



Door Sash

Width

Max: 908mm

Min: 748mm

Height

Max: 2098mm

Min: 1801mm

Profile Dimensions:

72 Frame: 52mm+4mm air gap = **56mm**

52 Frame: 32mm+4mm air gap = **36mm**

Ali low threshold open IN = **20mm**

Ali low threshold open OUT = **17mm**

Cill = **30mm**

Width

72 Frame

Max = (Max sash width + 56mm + 56mm)

Min = (Min sash width + 56mm + 56mm)

52 Frame

Max = (Max sash width + 36mm + 36mm)

Min = (Min sash width + 36mm + 36mm)

Height

72 Frame low threshold open IN

Max = (Max sash height + 56mm + 20mm)

Min = (Min sash height + 56mm + 20mm)

52 Frame low threshold open IN

Max = (Max sash height + 36mm + 20mm)

Min = (Min sash height + 36mm + 20mm)

Double Door Width 72mm Frame

Max = (Max sash width + Max sash width + 56mm + 56mm + 8mm)

Min = (Min sash width + Min sash width + 56mm + 56mm + 8mm)

Press Glazing

Unit Thickness: 22

Unit Size: 530 X 910

Aperture: 495 X 872

Press Bead Glazing

Unit Thickness: 24

Unit Size: 495 X 875

Aperture: 462 X 842

The overall frame dimensions can be increased or reduced by using other profiles:

Door Outer Frame ►

PVC-U Thresholds ►

Ali Thresholds / Tie Bars ►

Cills ►

Add On / Frame Extensions ►

Back to Contents ►

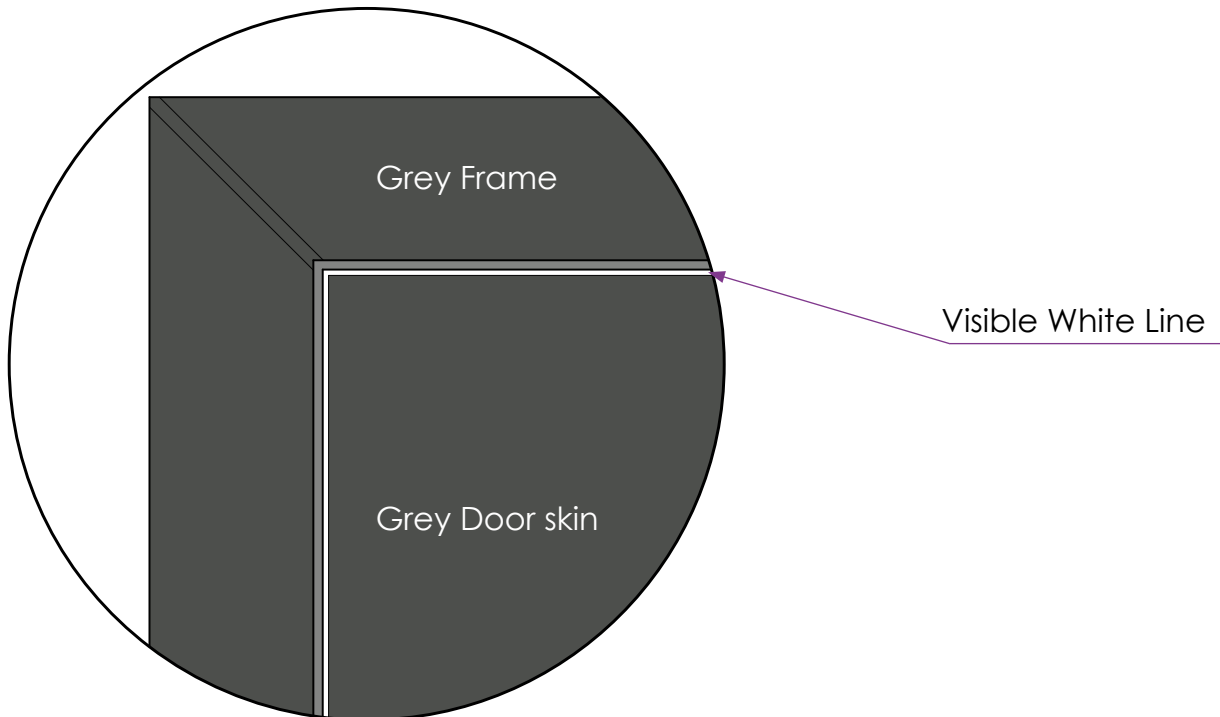


Door and Frame Colour

Where the sash and frame meet on the flush side, there is a chamfer on the door which is visible. It is more noticeable when the door and frame are dark colours.

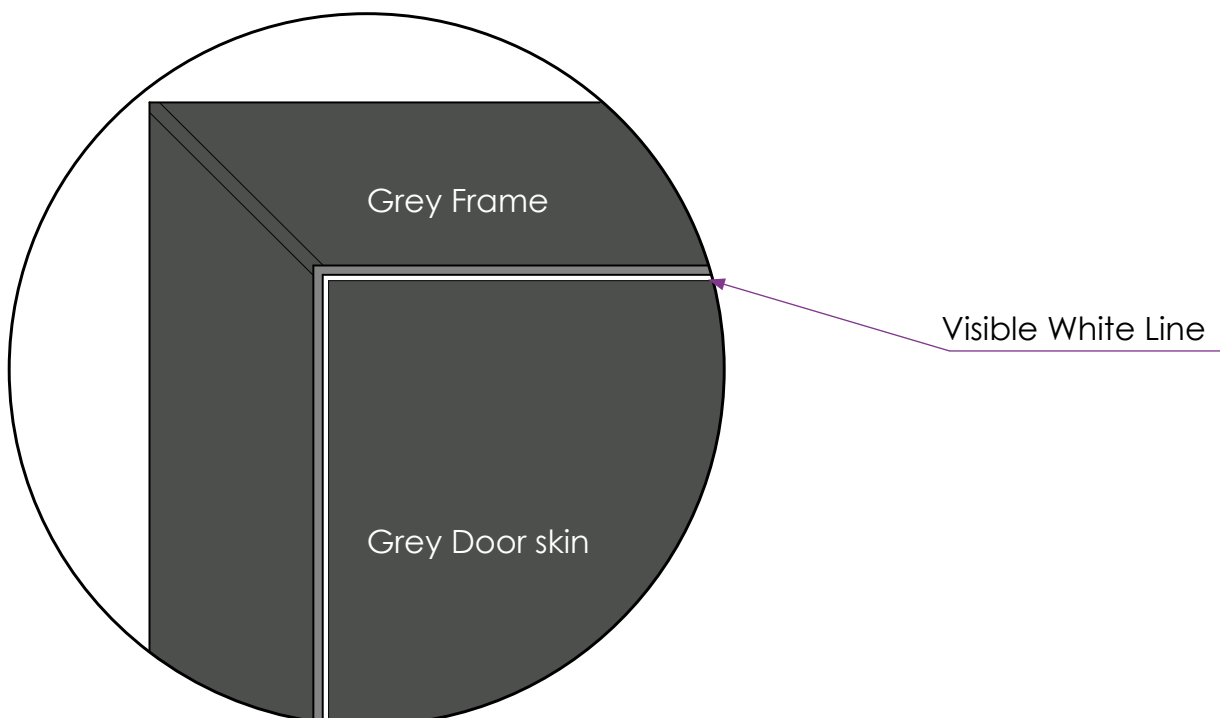
Open Out Doors with matching sash and frame colours

External View



Open In Doors with matching sash and frame colours

Internal View



Door and Frame Colour Options



WHITE

Available with matching outerframe.



ROSEWOOD

Available with matching outerframe.



CREAM (RAL9001)

Available with matching outerframe.



LIGHT OAK

Available with matching outerframe.



BLACK (RAL8022)

Available with matching outerframe.



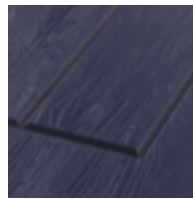
IRISH OAK

Available with matching outerframe.



ANTHRACITE GREY (RAL7016)

Available with matching outerframe.



SAPPHIRE BLUE (RAL5011)



SLATE GREY (RAL7015)

Available with matching outerframe.



EMERALD GREEN (RAL6009)



AGATE GREY (RAL7038)

Available with matching outerframe.



RUBY RED (RAL3011)

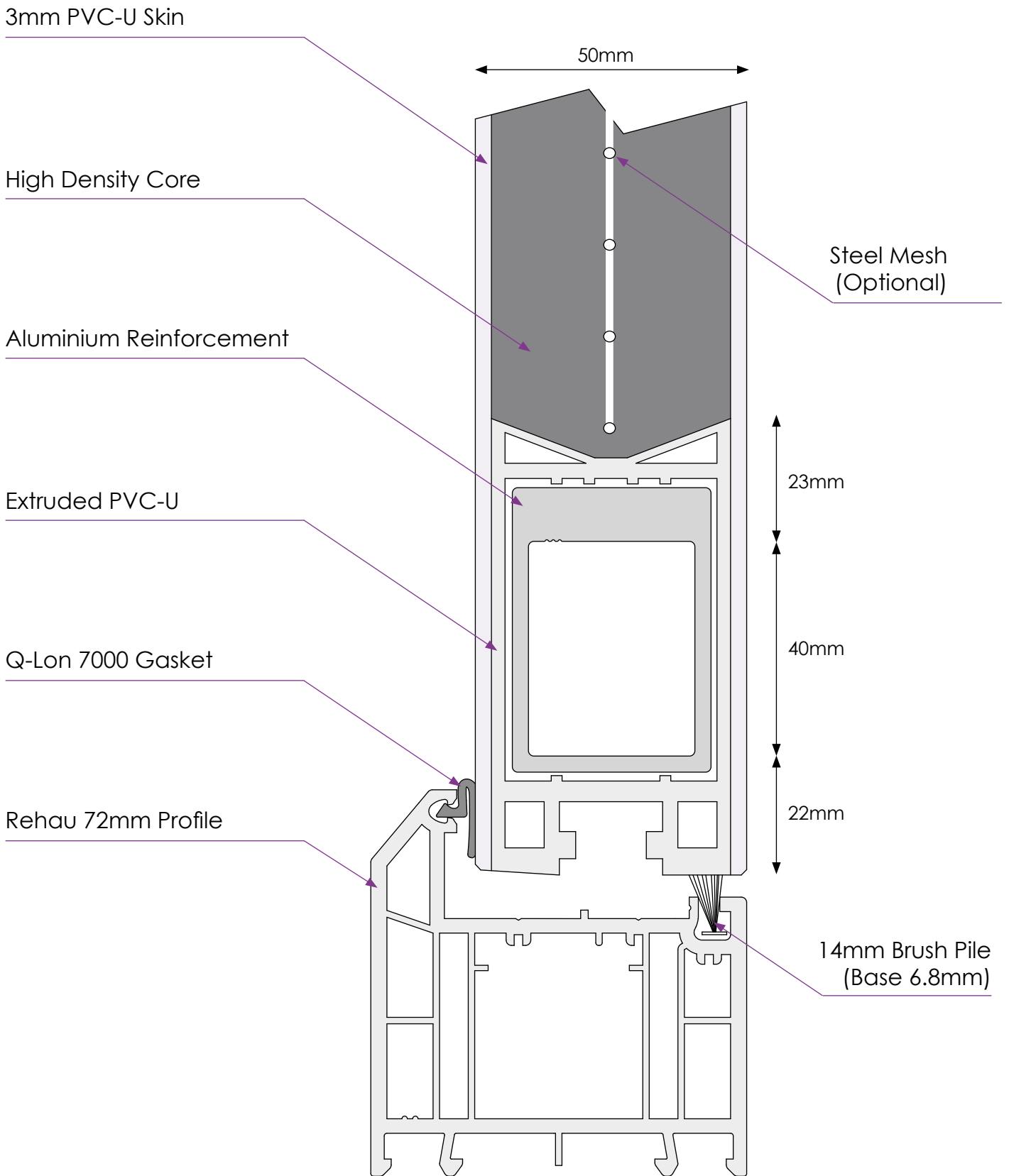


CHARTWELL GREEN

Available with matching outerframe.

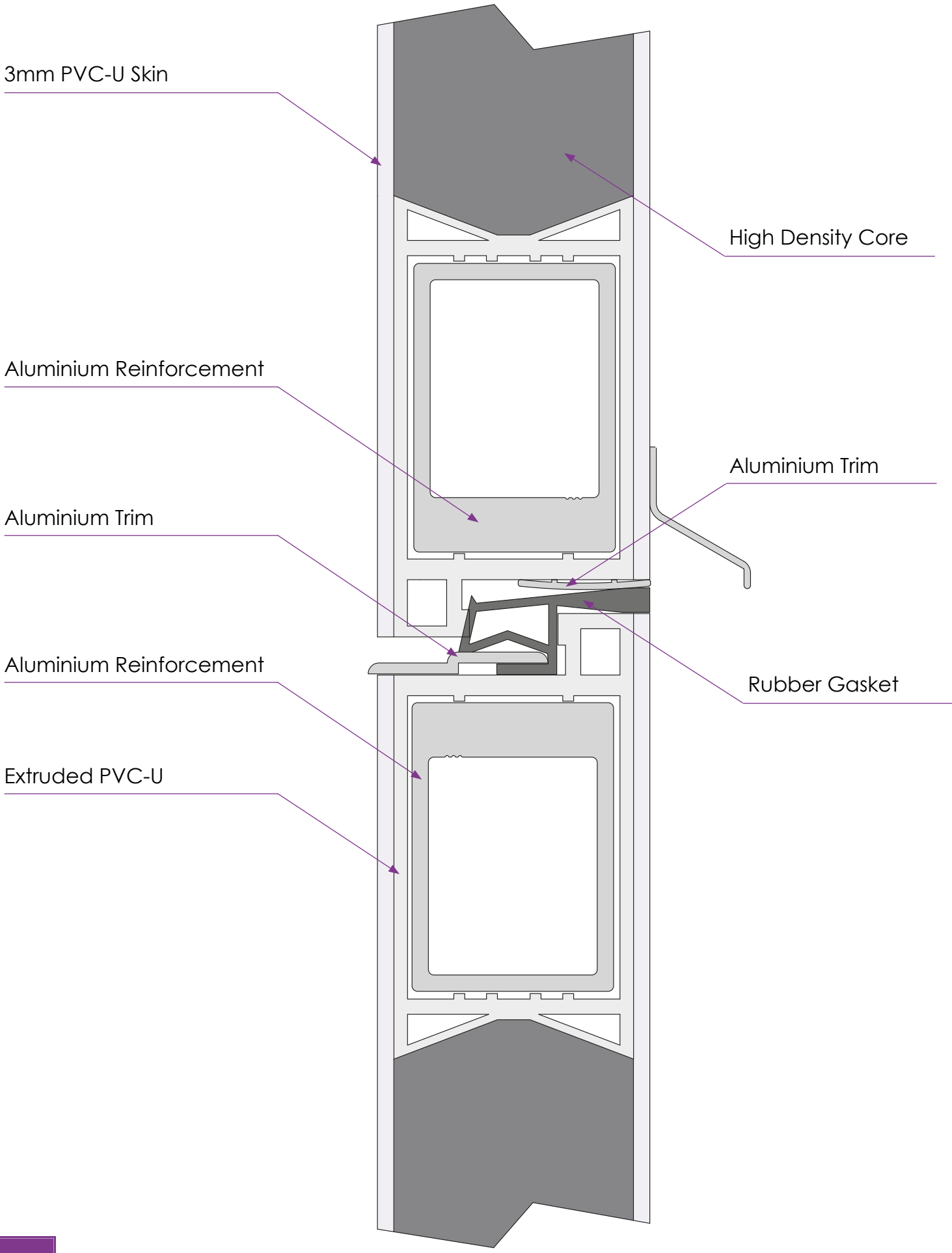


Inner Frame Detail



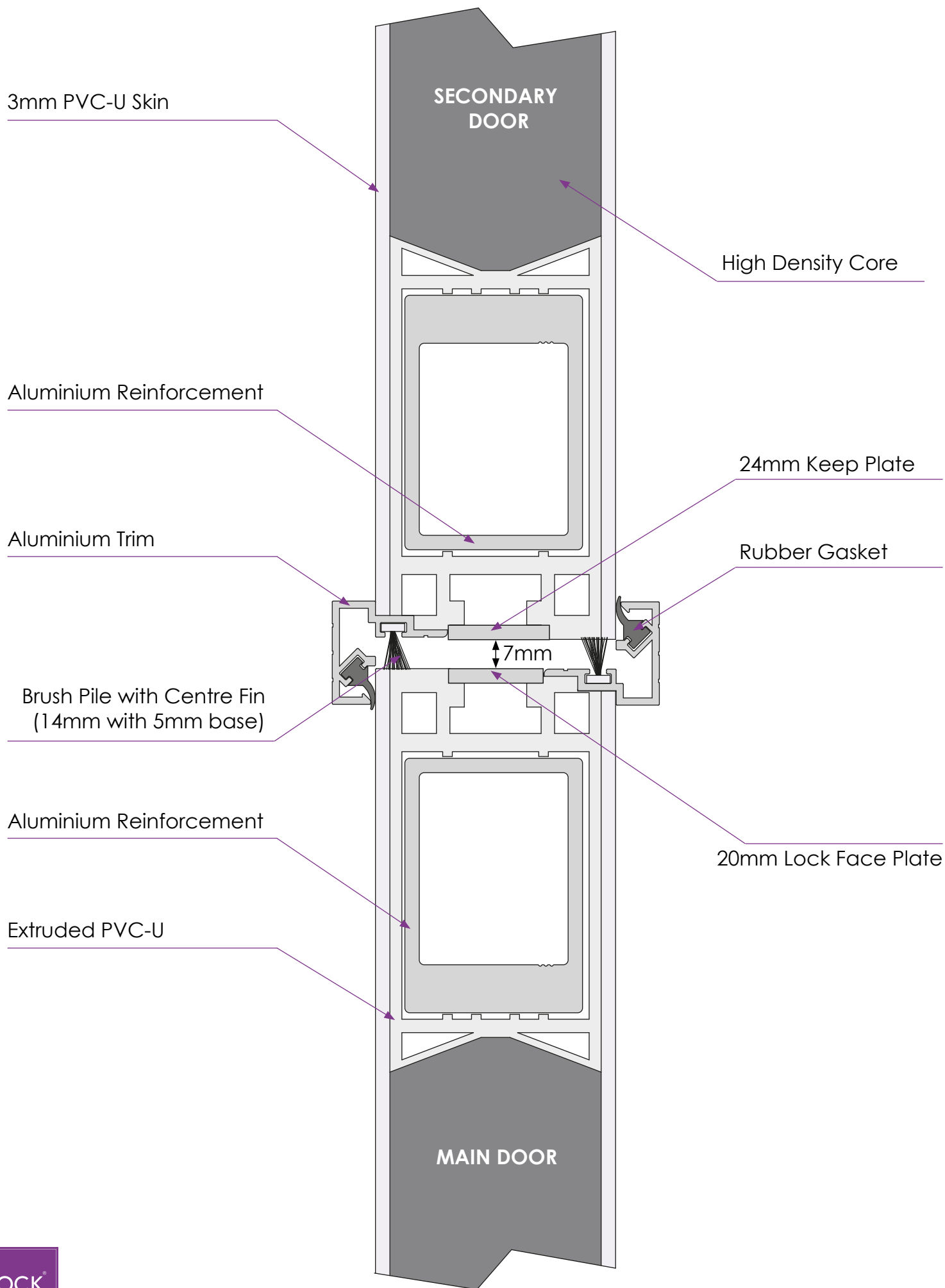


Stable Door Centre Seal





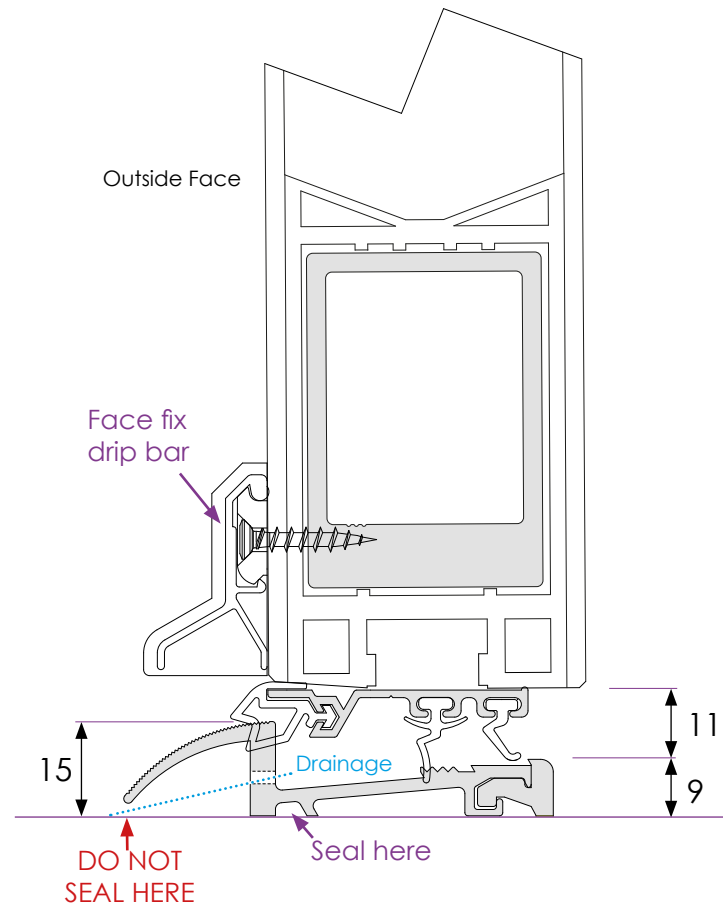
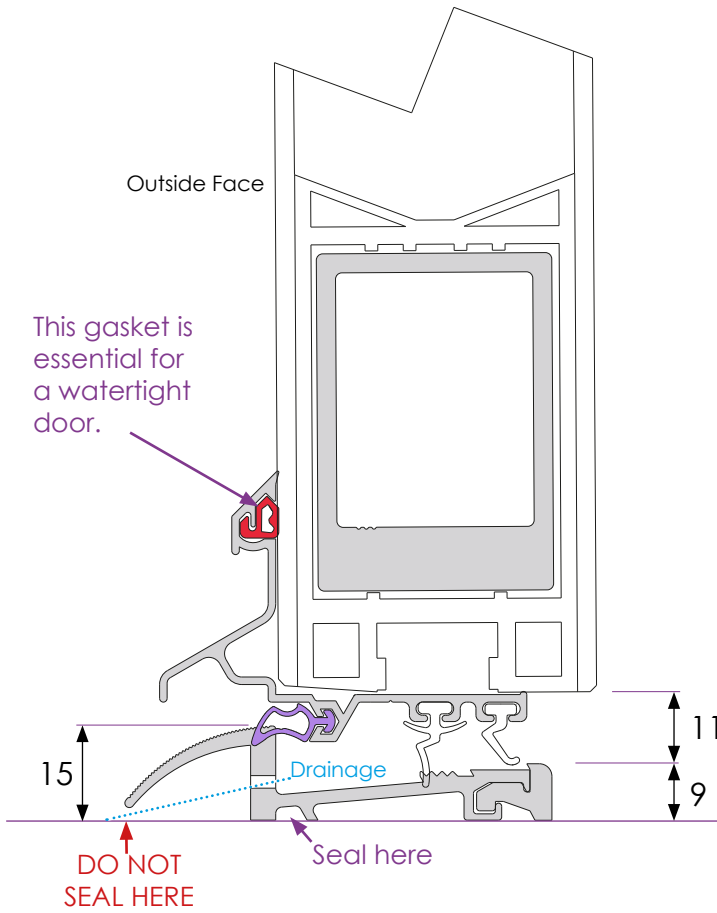
French / Double Door Centre Seal



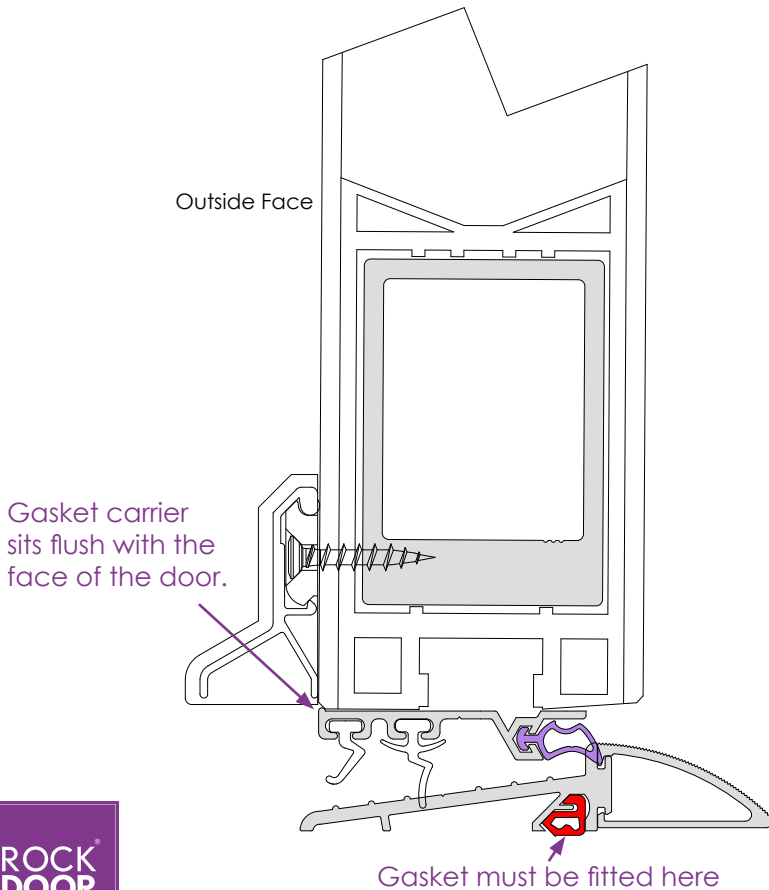
Open **IN** Aluminium Threshold

Drip bar and gasket carrier one piece, colour matched to the furniture.

Face fix drip bar with separate gasket carrier, colour matched to the door.



Open **OUT** Aluminium Threshold

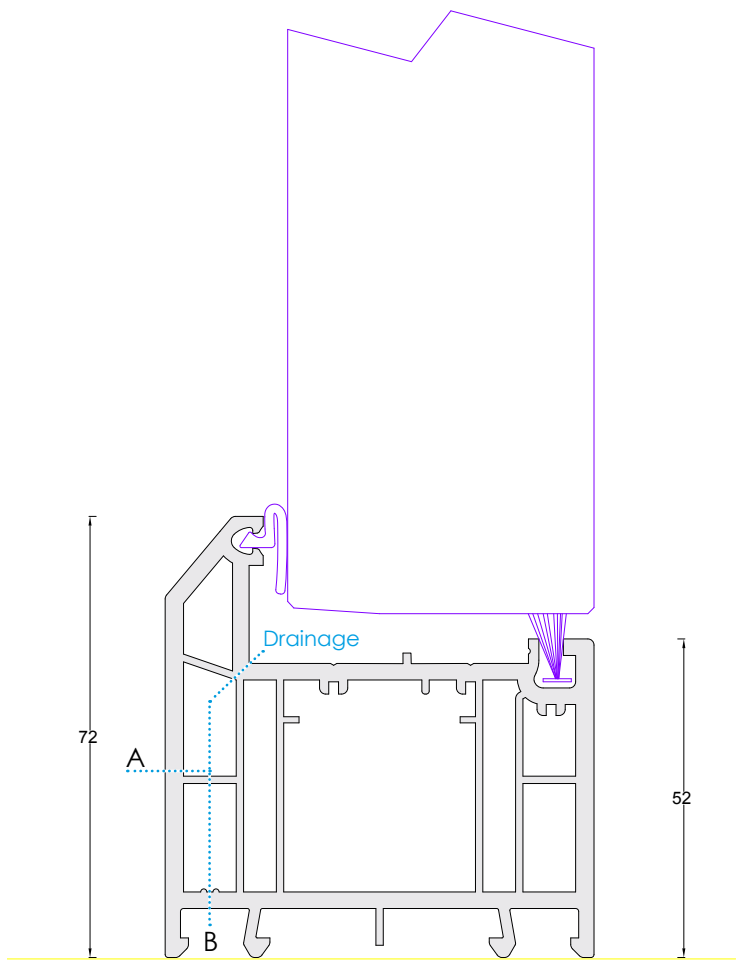


Gasket Codes	
	R149
	Comes with the carrier
	R149A
	R149B



Threshold Detail

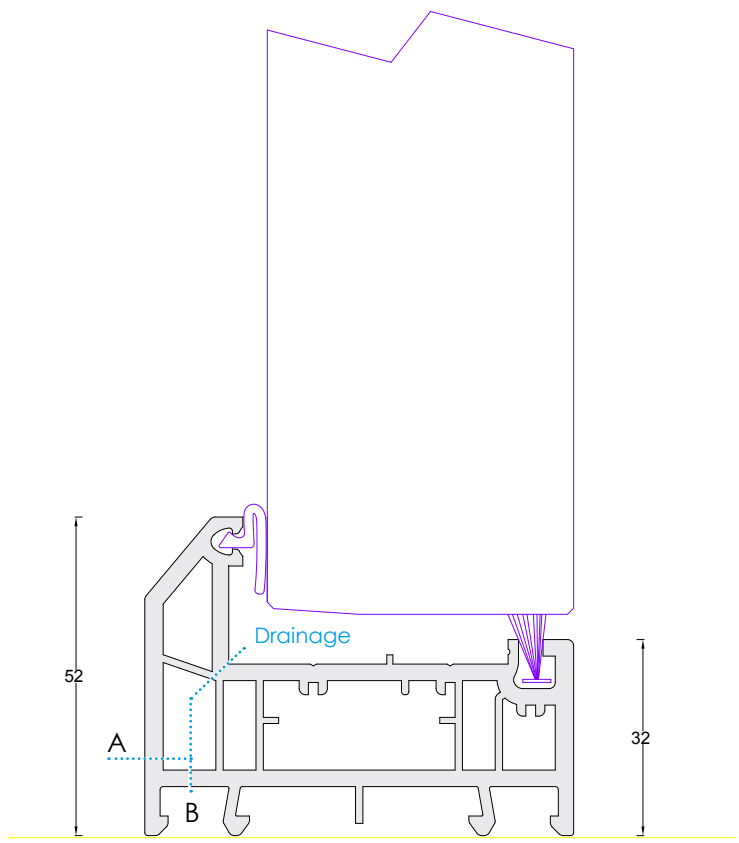
72mm PVC-U Threshold



A= Face Drainage
(Slots 5mm x 35mm)

B= Concealed Drainage

52mm PVC-U Threshold



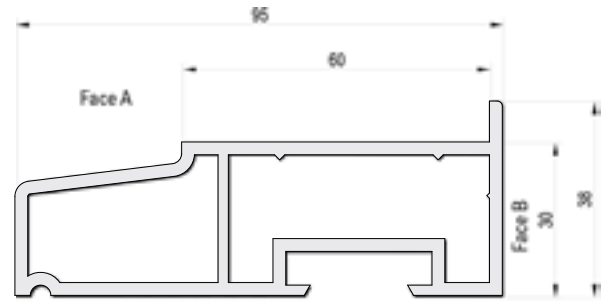
A= Face Drainage
(Slots 5mm x 35mm)

B= Concealed Drainage



If a cill is required on a Rockdoors with a sideframe a reinforced cill must be used.

95mm Cill
Art.546360

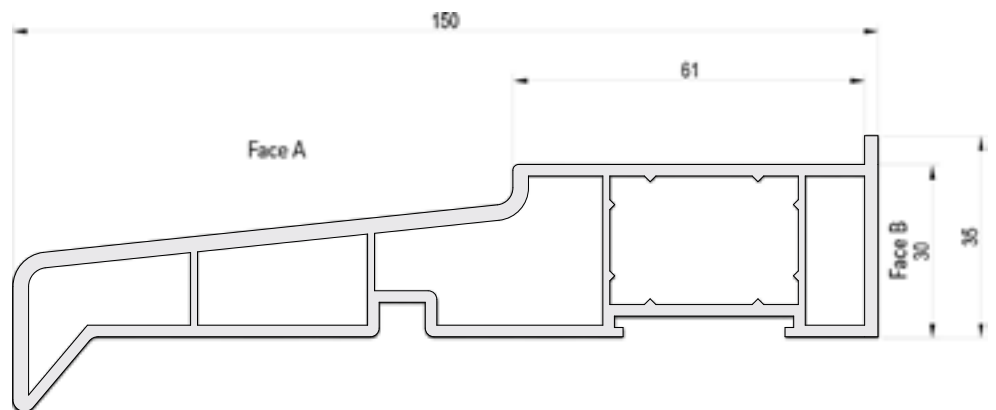


Reinforcement
Art.251355

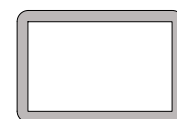


50mm x 15mm

150mm Cill
Art.246330



Reinforcement
Art.324971



30mm x 20mm

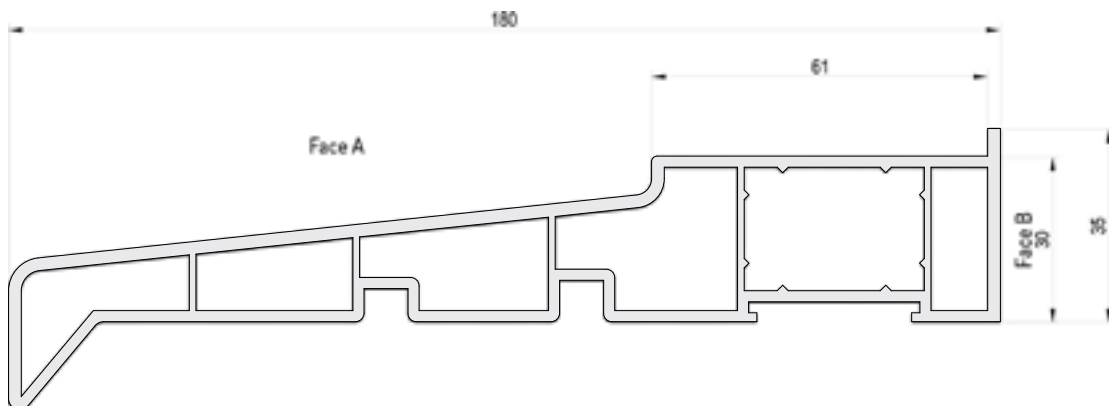
Face A & Face B used to identify foiled face



Cill Detail

If a cill is required on a Rockdoors with a sideframe a reinforced cill **must** be used.

180mm Cill
Art.246340
Reinforcement 30 x 20

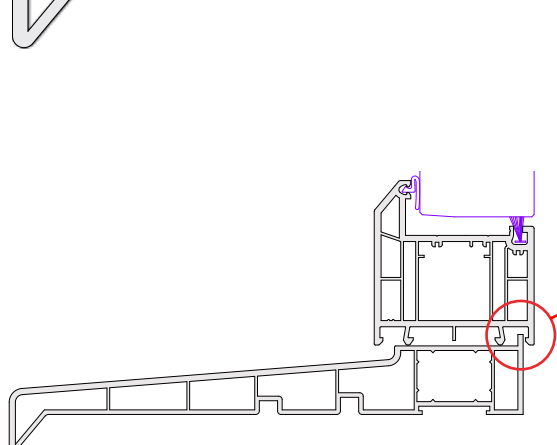
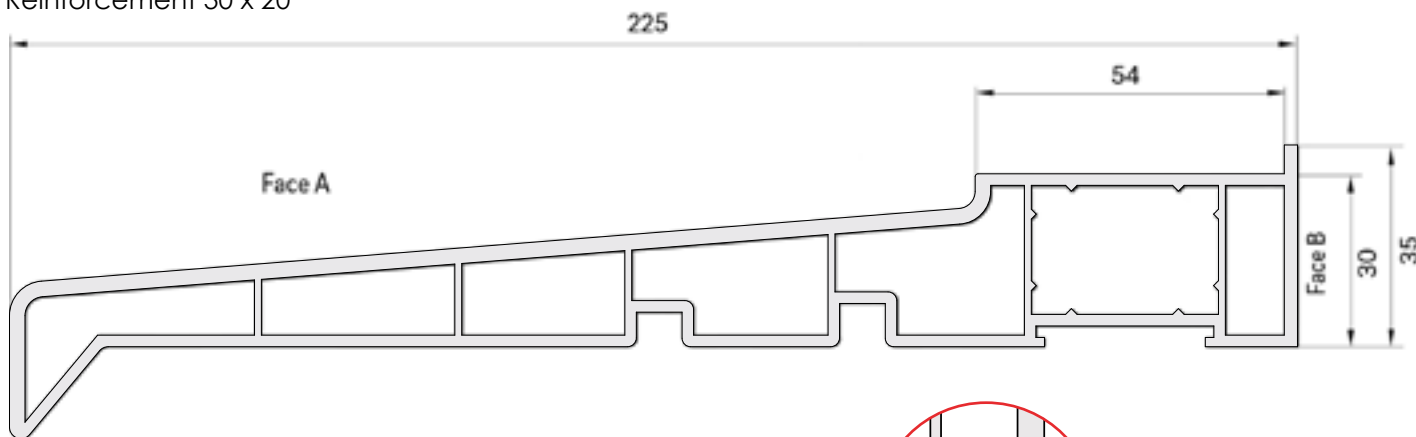


Reinforcement for BOTH 180mm and 225mm cill
Art.324971
50 x 15
Reinforcement 30 x 20



30mm x 20mm

225mm Cill
Art.503940
Reinforcement 30 x 20



72mm and 52mm PVC-U threshold on a **225mm cill**
small base so the frame **NEEDS SITTING BACK**

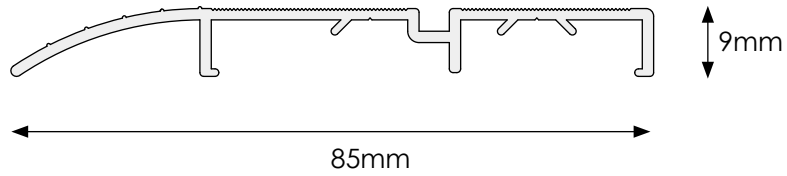
Face A & Face B used to identify foiled face



[Back to Contents](#)

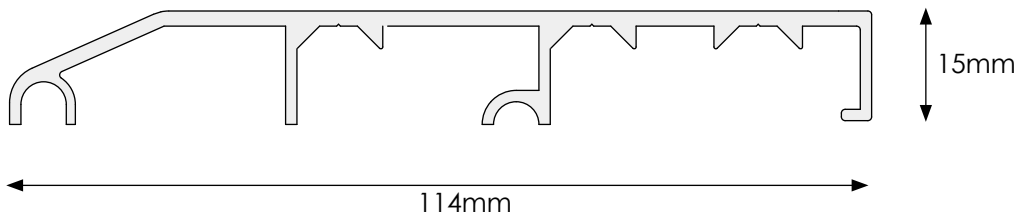


Tie Bar 9mm x 85mm (Max 3m in length)



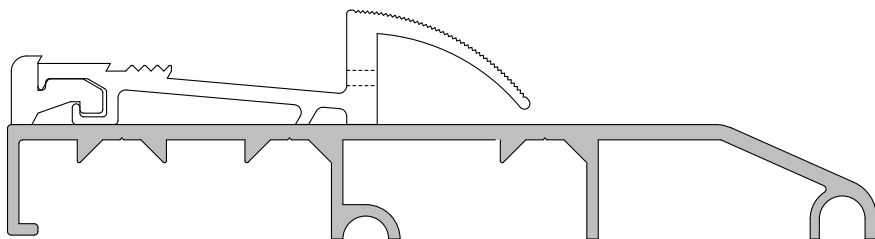
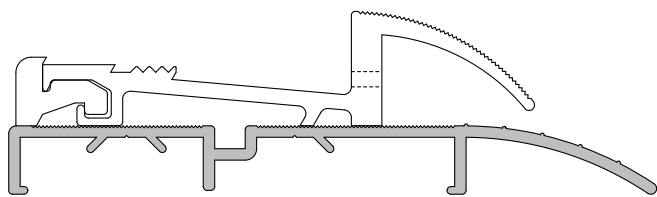
Aluminium
Available in Gold and Silver

Tie Bar 15mm x 114mm (Max 3m in length)



Tie bars can be used with all threshold types and can be positioned to suit the application.

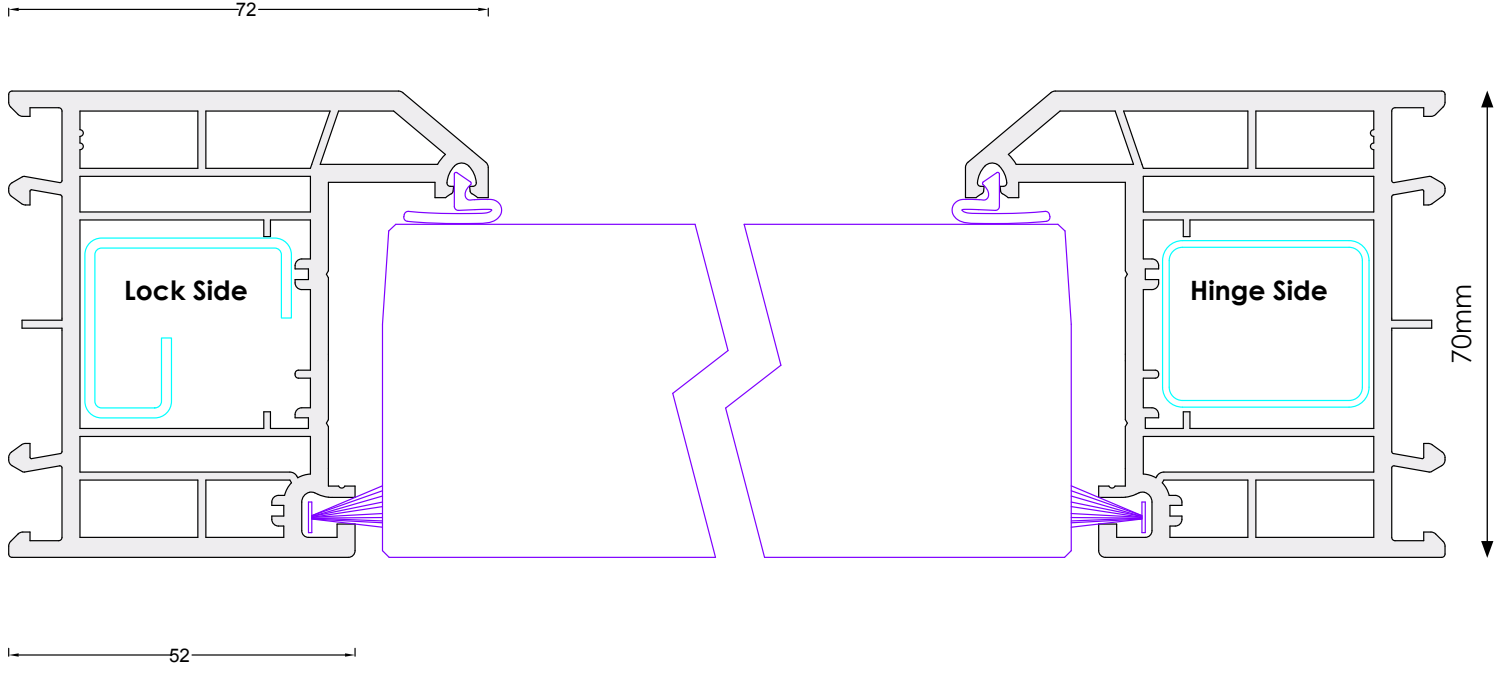
Examples using an open in low aluminium threshold.



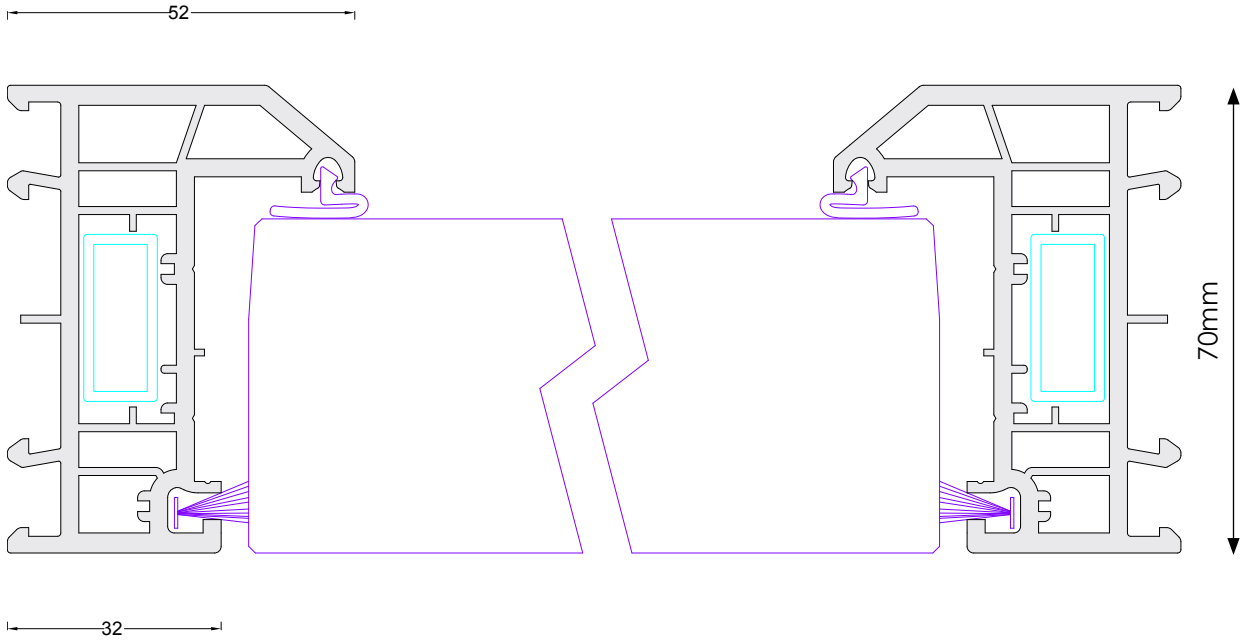


Outer Frame Detail

72mm Outer Frame



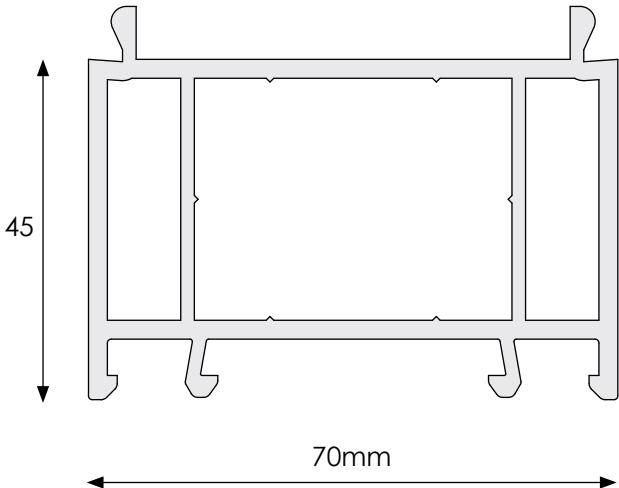
52mm Outer Frame



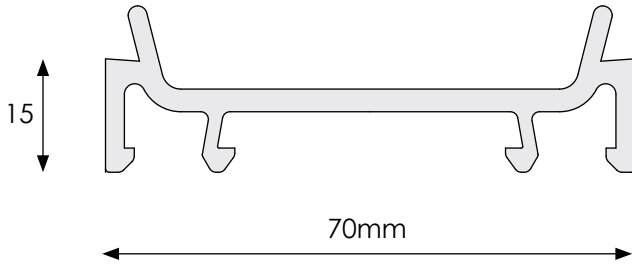


Add On / Frame Extension

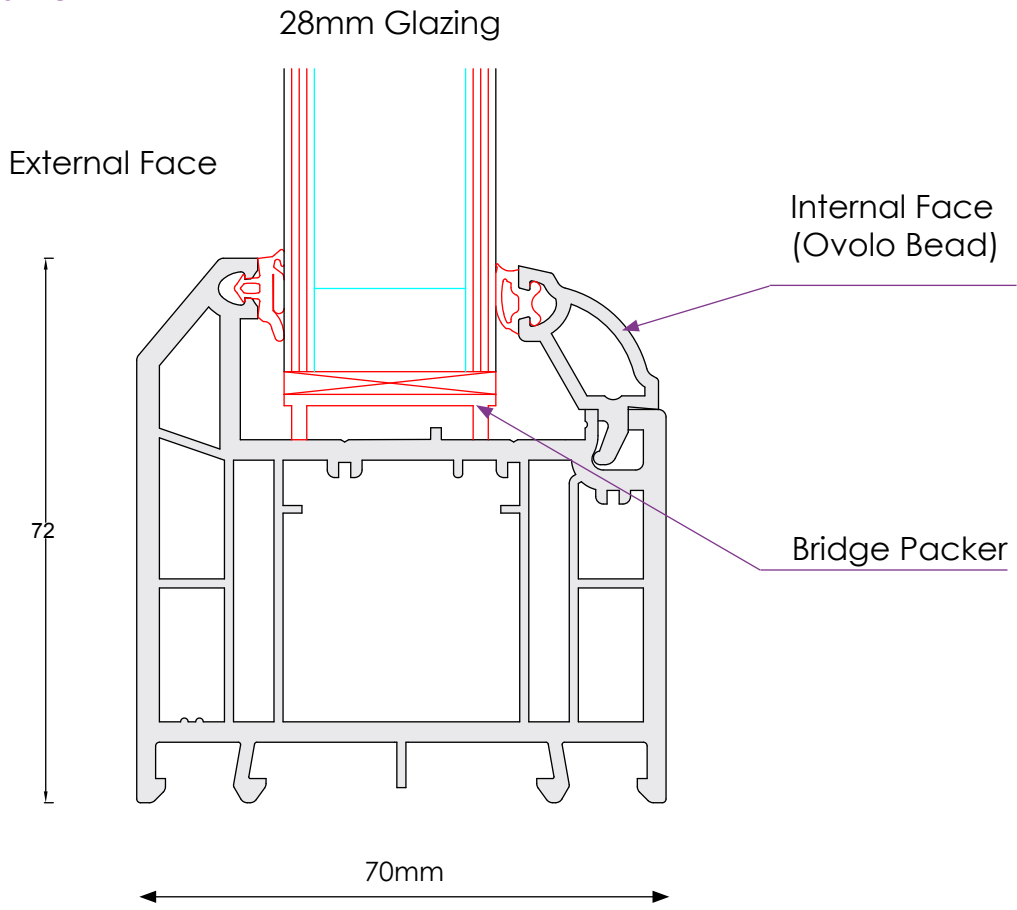
45mm Add On / Frame Extension



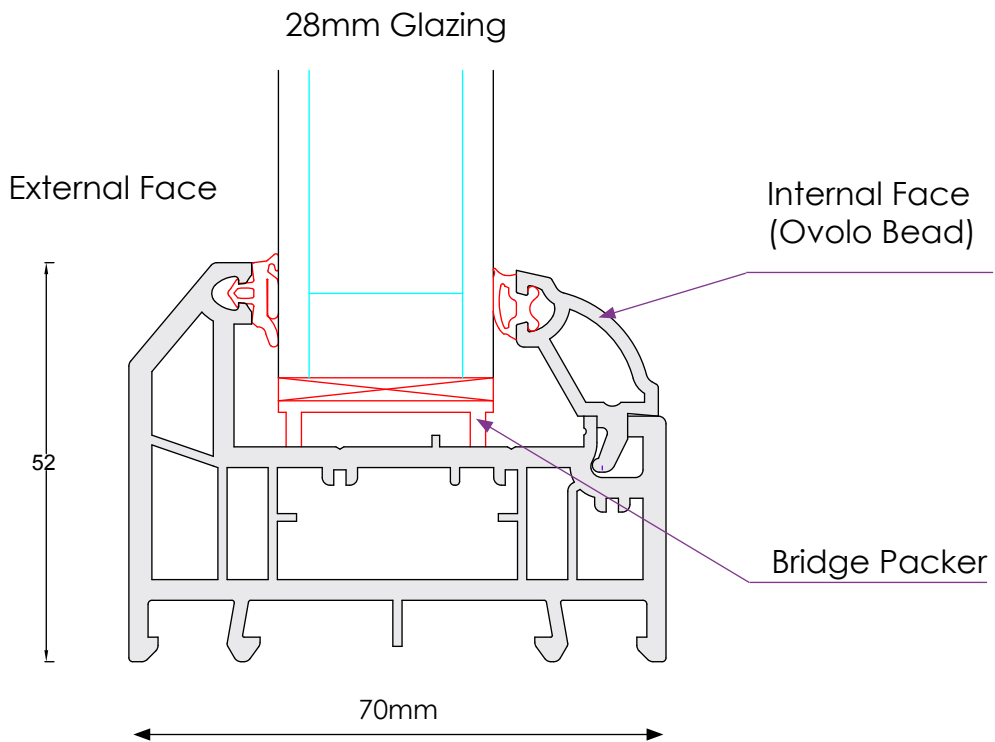
15mm Add On / Frame Extension



72mm Side Frame



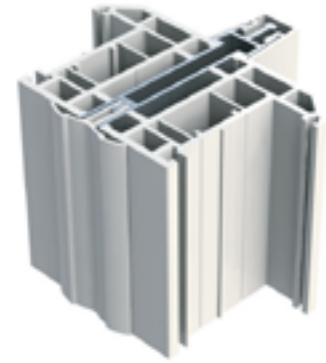
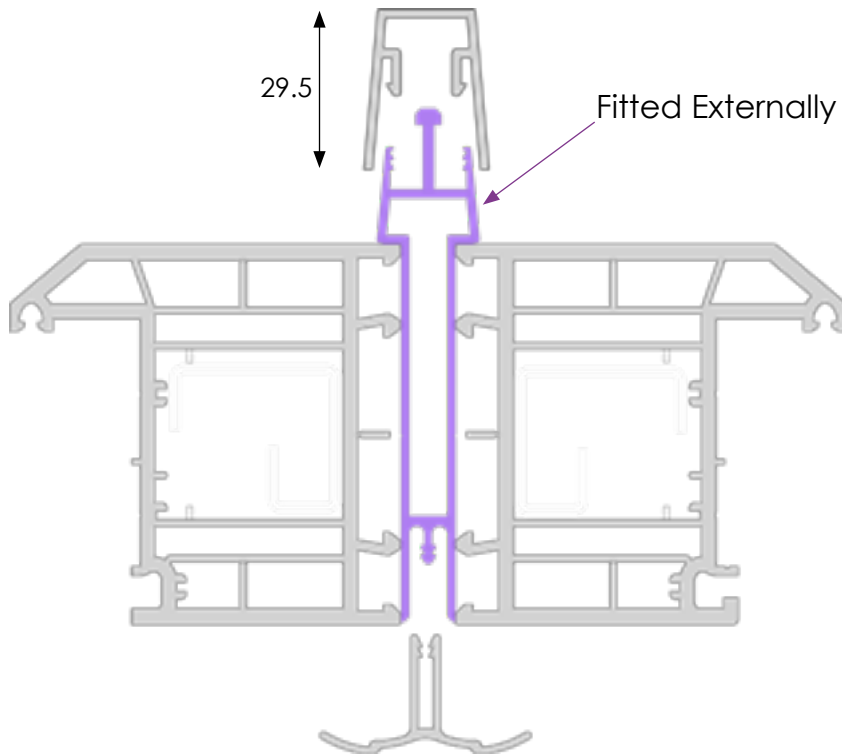
52mm Side Frame



Heavy Weight Coupler (10mm wide)

Protruding

Recommended for the higher exposure category. The coupler protrudes this makes it the strongest design of all couplers offered.

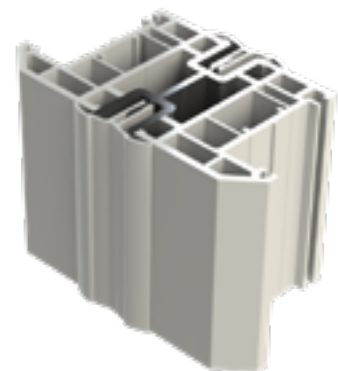
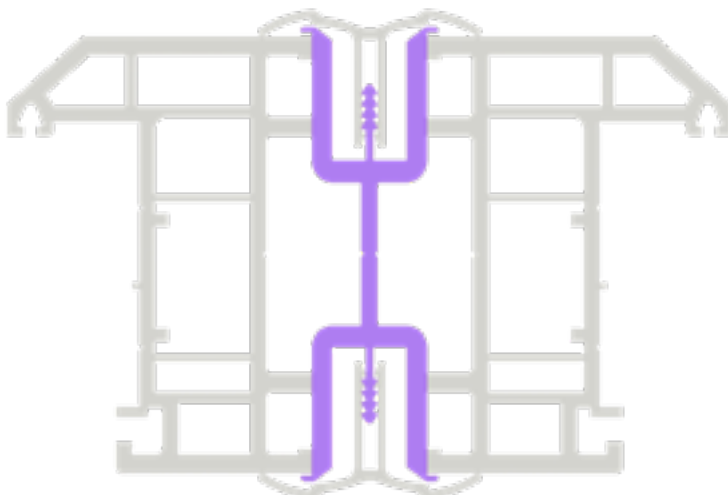


CODE	WWL153
IXX (cm)	27.95
IYY (cm)	0.79
DEDUCTION	5mm Per Frame

Medium Weight Coupler (20mm wide)

Flush Fitting

Recommended where a higher exposure category or larger side frames is requested and the couplers remain Flush to the door frame



CODE	WWL106
IXX (cm)	24.5
IYY (cm)	2.4
DEDUCTION	10mm Per Frame

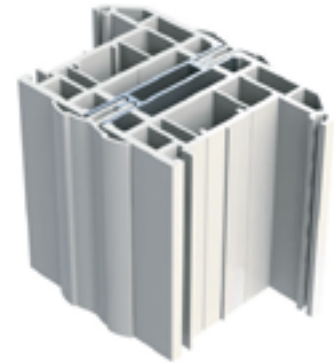
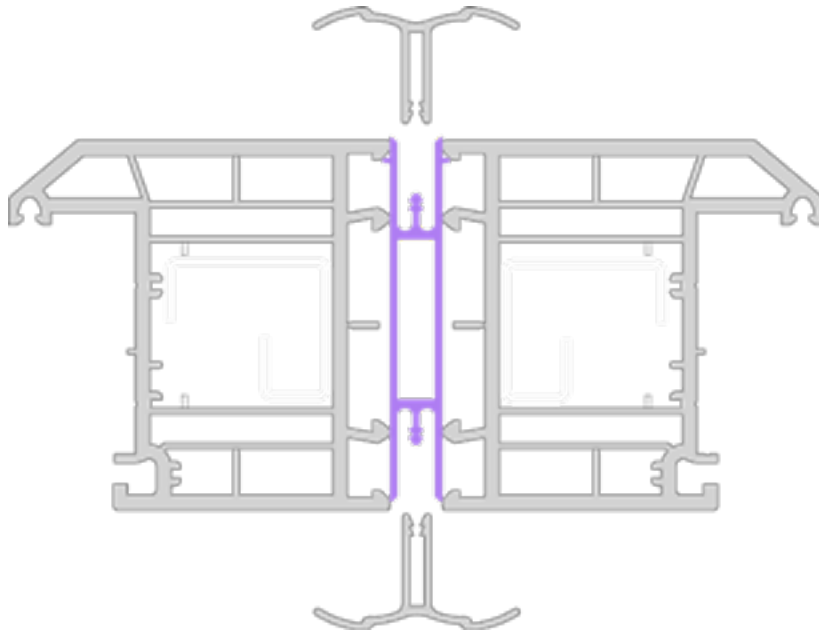


Coupling Bar Detail

Light Weight Coupler (10mm wide)

Flush Fitting

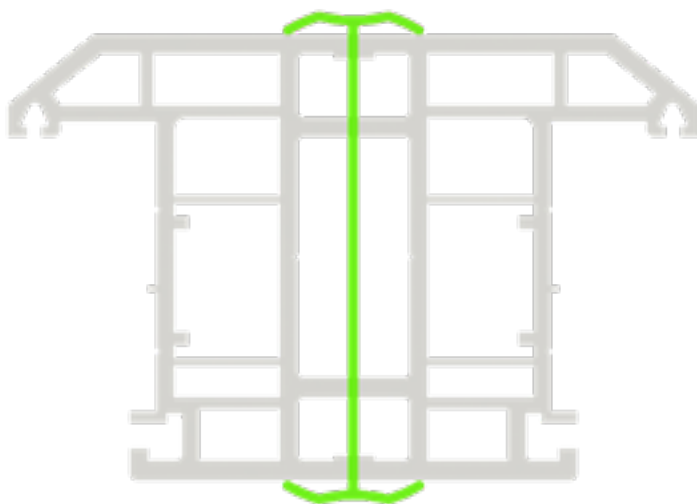
Recommended in lower exposure zones and for the narrower side frames.



CODE	WVL150
IXX (cm)	9.97
IYY (cm)	0.40
DEDUCTION	5mm Per Frame

1.5mm Coupler (1.5mm wide) PVC-U

Only use on single door fanlights



CODE	PFC70
IXX (cm)	0
IYY (cm)	10
DEDUCTION	0.75mm Per Frame



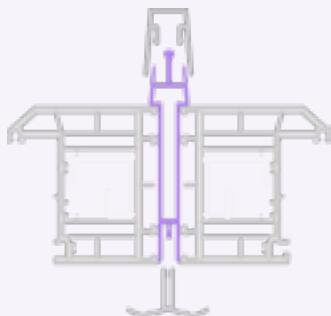
[Back to Contents](#)

Side Frame / Coupling Bar Max Sizes

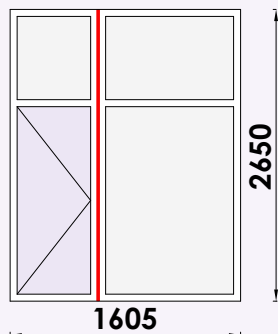
72mm Reinforced Outer Frame to achieve 800PA.

The door size cannot be larger than 900mm x 2070mm

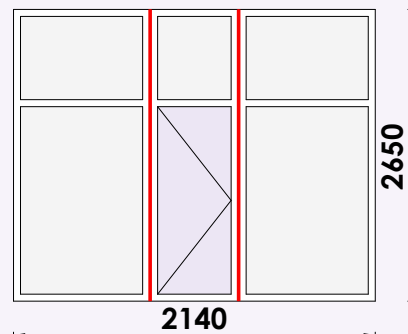
Heavy Duty (10mm wide)
Rigidity : **Very High**



MAX Size with
ONE
Sideframe



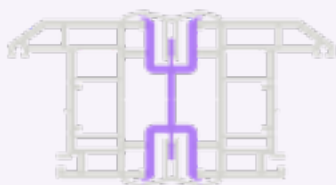
MAX Size with
TWO
Sideframes



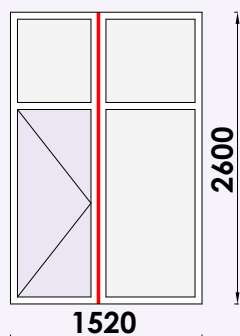
MAX Sizes for Side Frames constructed from
72mm Reinforced Outer Frame using **Heavy Duty Coupler**

The door size cannot be larger than 900mm x 2070mm

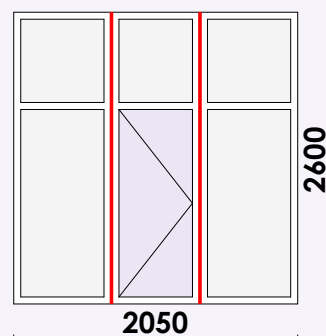
Medium Duty Coupler (20mm Wide)
Rigidity : **High**



MAX Size with
ONE
Sideframe

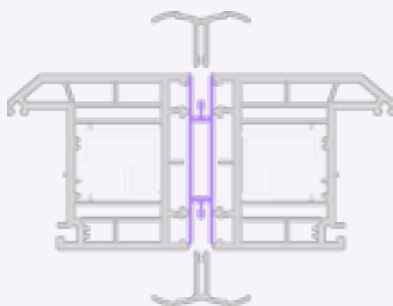


MAX Size with
TWO
Sideframes

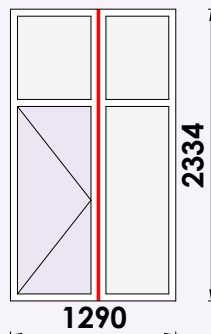


MAX Sizes for Side Frames constructed from
72mm Reinforced Outer Frame using **Medium Duty Coupler**

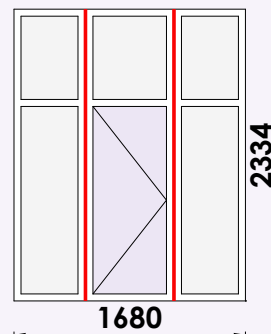
Light Duty Coupler (10mm wide)
Rigidity : **Standard**



MAX Size with
ONE
Sideframe



MAX Size with
TWO
Sideframes

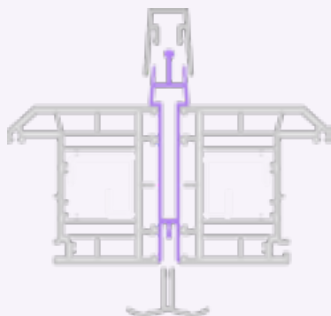


MAX Sizes for Side Frames constructed from
72mm Reinforced Outer Frame using **Light Duty Coupler**

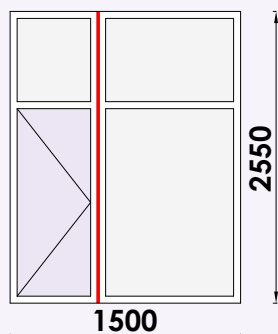
52mm Reinforced Outer Frame to achieve 800PA.

The door size cannot be larger than 900mm x 2070mm

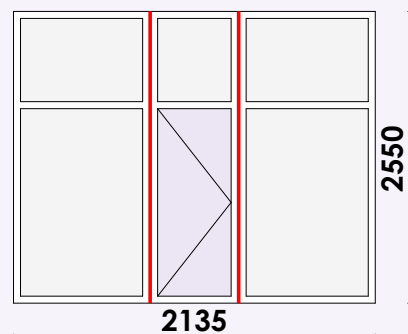
Heavy Duty (10mm wide)
Rigidity : **Very High**



MAX Size with
ONE
Sideframe



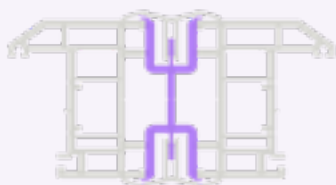
MAX Size with
TWO
Sideframes



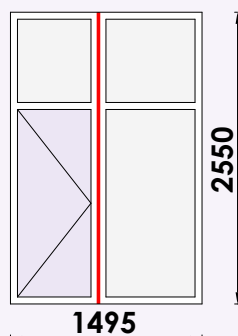
MAX Sizes for Side Frames constructed from
72mm Reinforced Outer Frame using **Heavy Duty Coupler**

The door size cannot be larger than 900mm x 2070mm

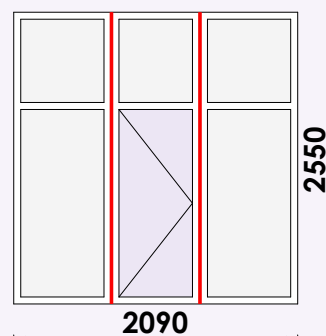
Medium Duty Coupler (20mm Wide)
Rigidity : **High**



MAX Size with
ONE
Sideframe



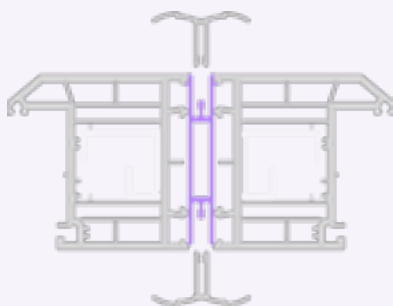
MAX Size with
TWO
Sideframes



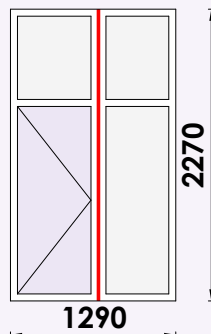
MAX Sizes for Side Frames constructed from
72mm Reinforced Outer Frame using **Medium Duty Coupler**

The door size cannot be larger than 900mm x 2070mm

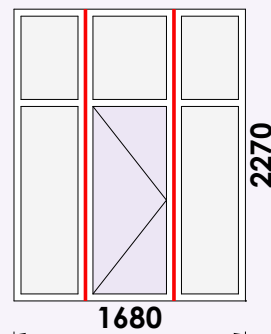
Light Duty Coupler (10mm wide)
Rigidity : **Standard**



MAX Size with
ONE
Sideframe



MAX Size with
TWO
Sideframes



MAX Sizes for Side Frames constructed from
72mm Reinforced Outer Frame using **Light Duty Coupler**

Sideframe with MIDRAIL

72mm outer with 105.5 Midrail: **min width =323.5mm**

72mm outer with 69 Midrail: **min width =360mm**

52mm outer with 69 Midrail: **min width =320mm**

Sideframe with NO Midrail GROOVED

72mm outer: **min width =295mm**

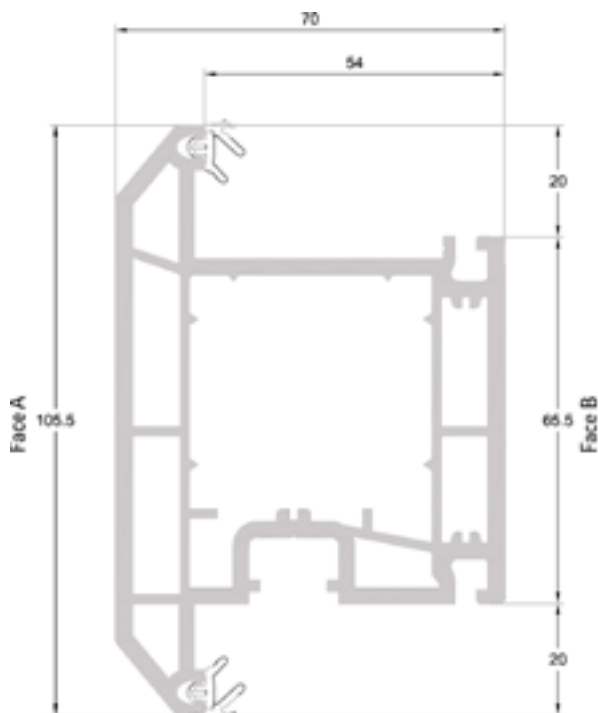
52mm outer: **min width =275mm**

Sideframe with NO Midrail KNIFED OFF by hand

72mm outer: **min width =190mm**

52mm outer: **min width =190mm**

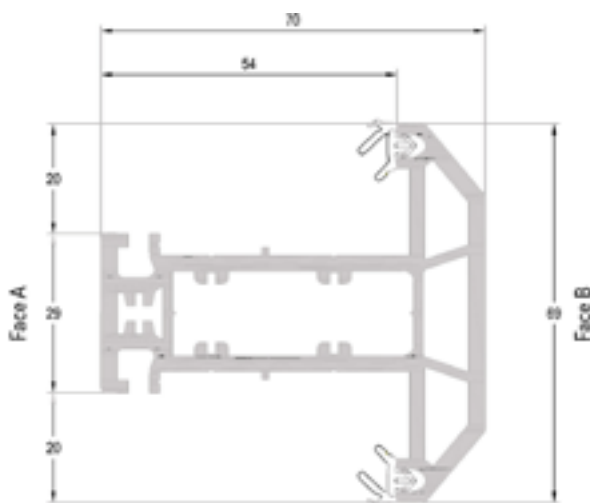
Standard and the stainless steel option letterplates cannot be fitted into midrails.



Door T Sash / Midrail 105.5mm

Standard Midrail in sideframes

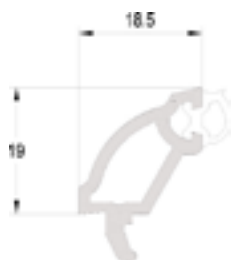
Art.546635



Slim Transom / Mullion T 69mm

Standard Mullion in Fanlights

Art.546085



Co-extruded Glazing Bead 18.5

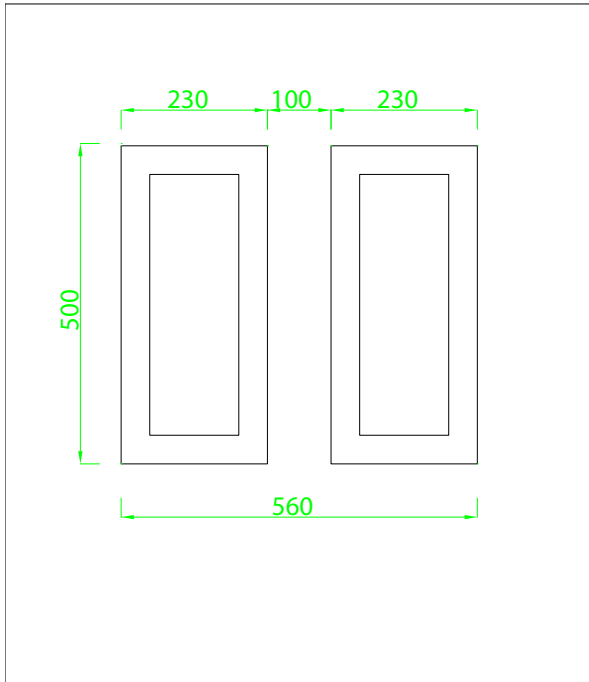
For 28mm sealed units

Art.546572

DOUBLE MOULDED PANELS

MAX SIZE: w785 x h950

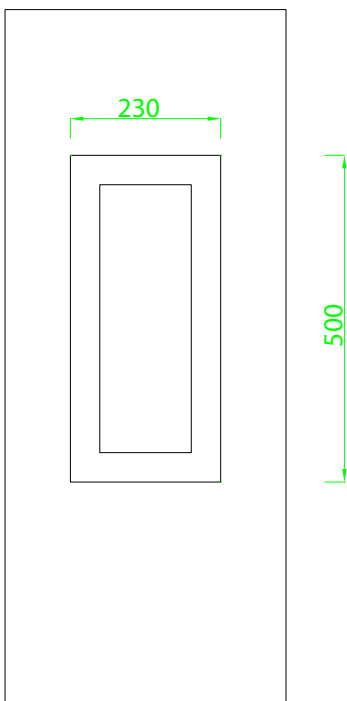
MIN SIZE: w620 x h580



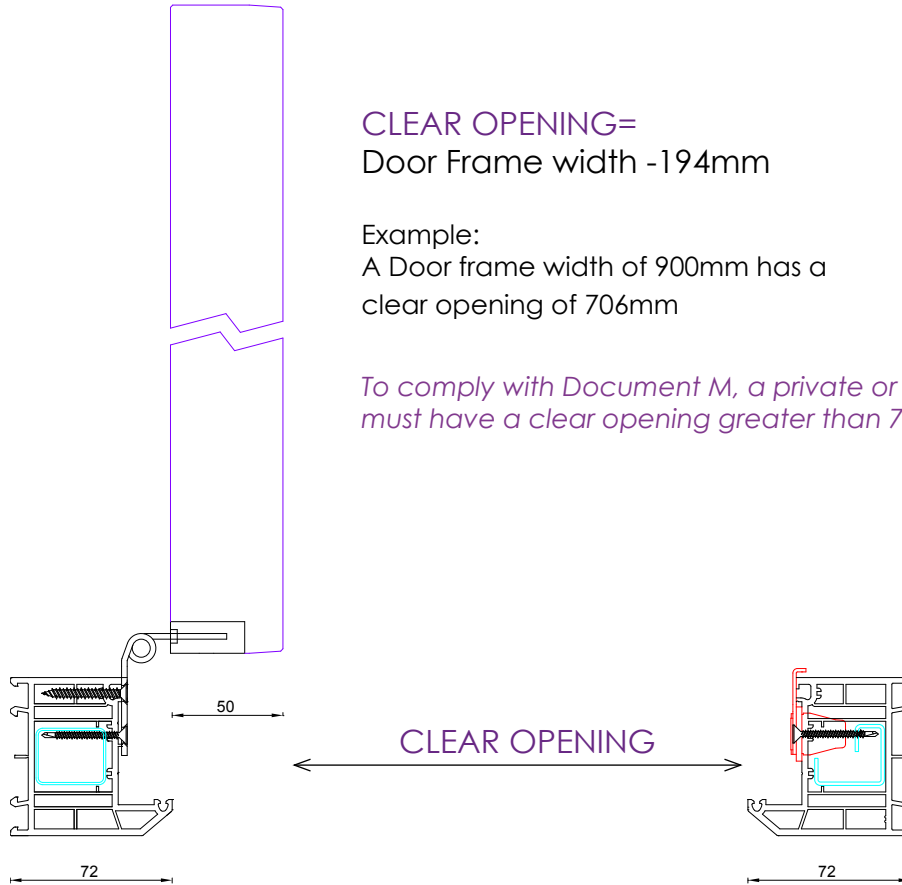
SINGLE MOULDED PANELS

MAX SIZE: w420 x h950

MIN SIZE: w290 x h580



72mm Outer Frame

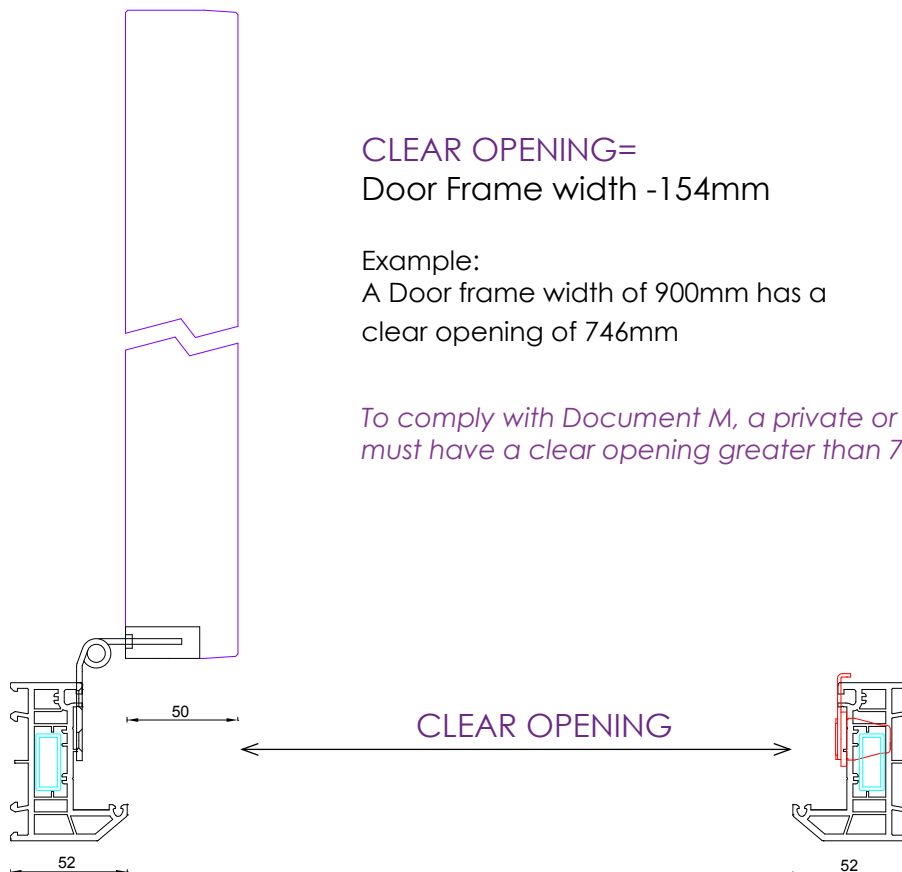


CLEAR OPENING=
Door Frame width -194mm

Example:
A Door frame width of 900mm has a
clear opening of 706mm

*To comply with Document M, a private or communal entrance
must have a clear opening greater than 775mm.*

52mm Outer Frame

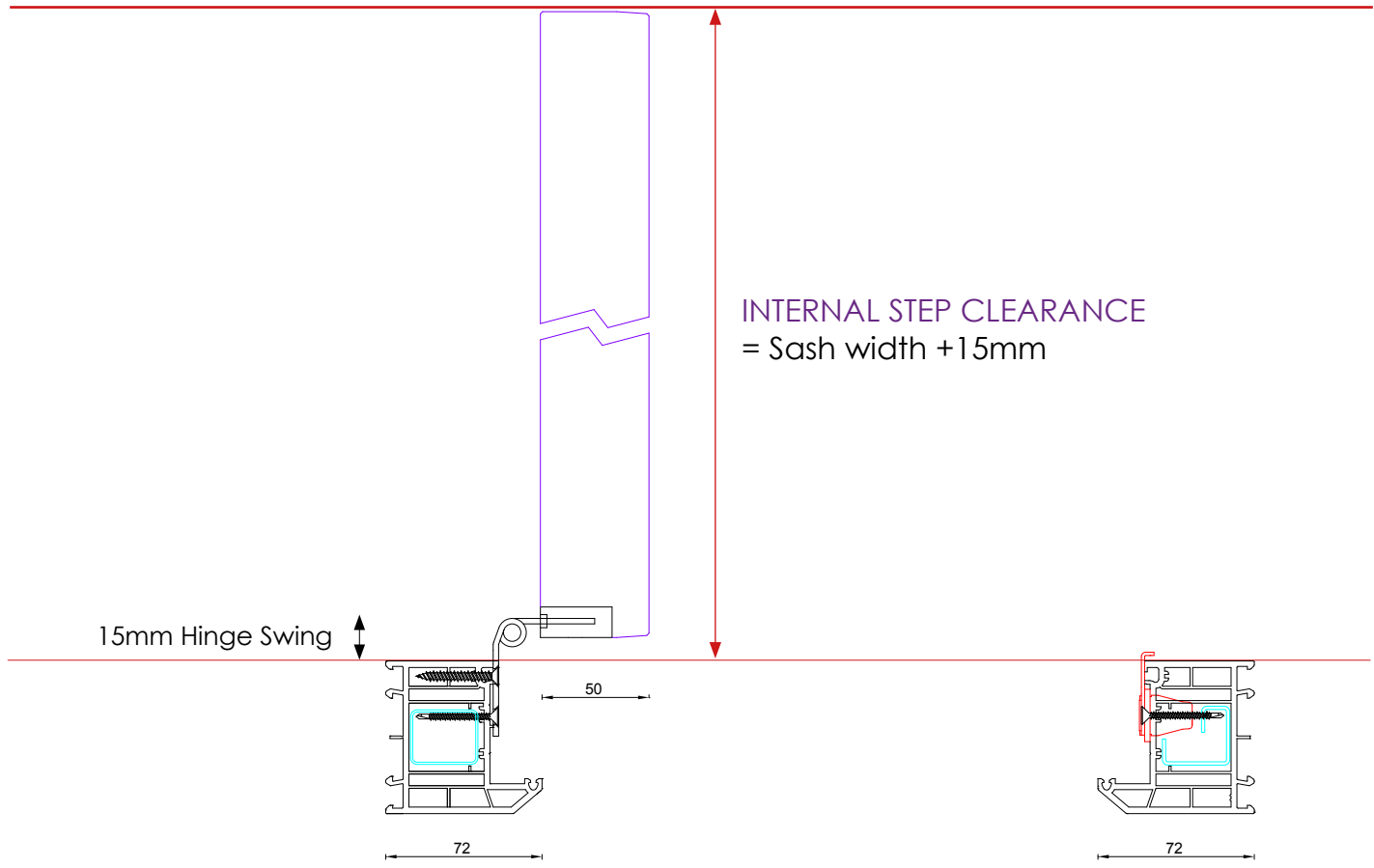


CLEAR OPENING=
Door Frame width -154mm

Example:
A Door frame width of 900mm has a
clear opening of 746mm

*To comply with Document M, a private or communal entrance
must have a clear opening greater than 775mm.*

INTERNAL STEP

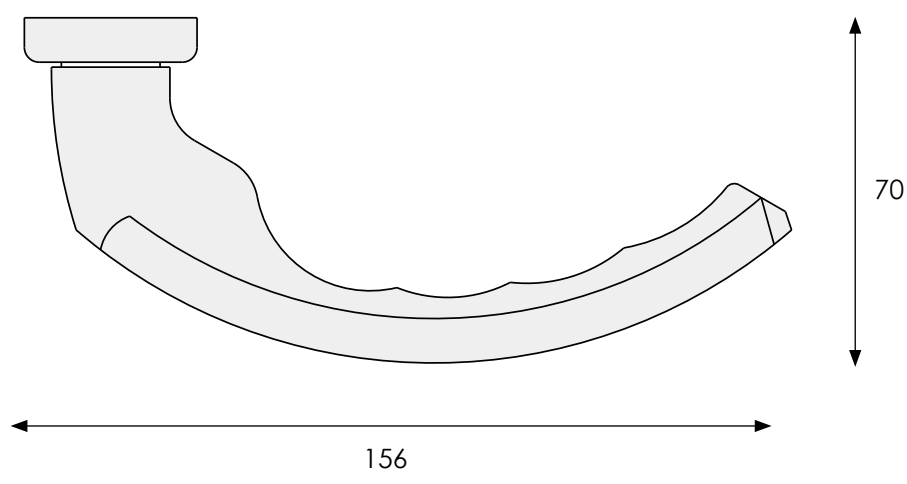
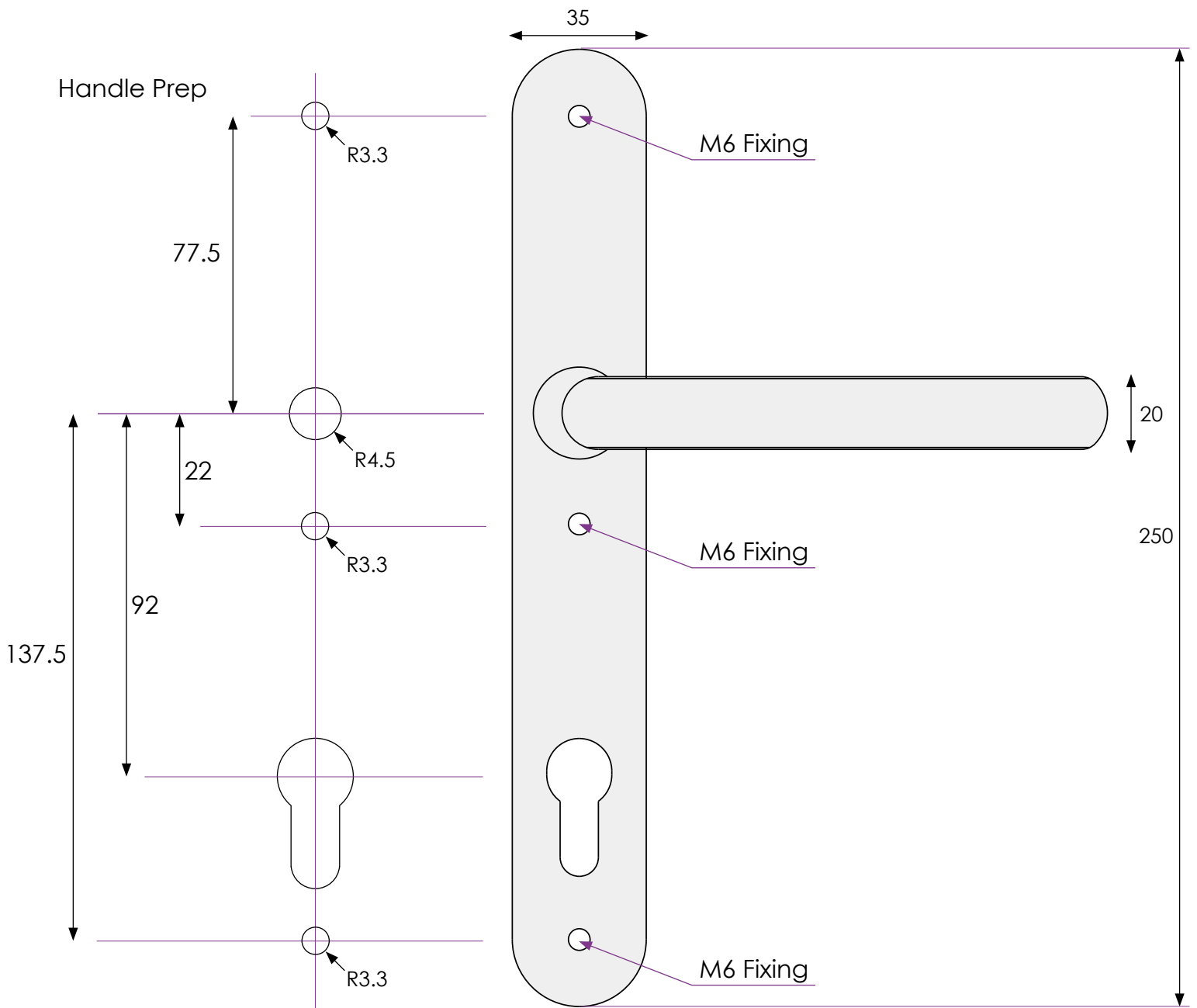


For **72mm** Profile Sash Width = Overall Frame Width - **112**

For **52mm** Profile Sash width = Overall Frame Width - **72**

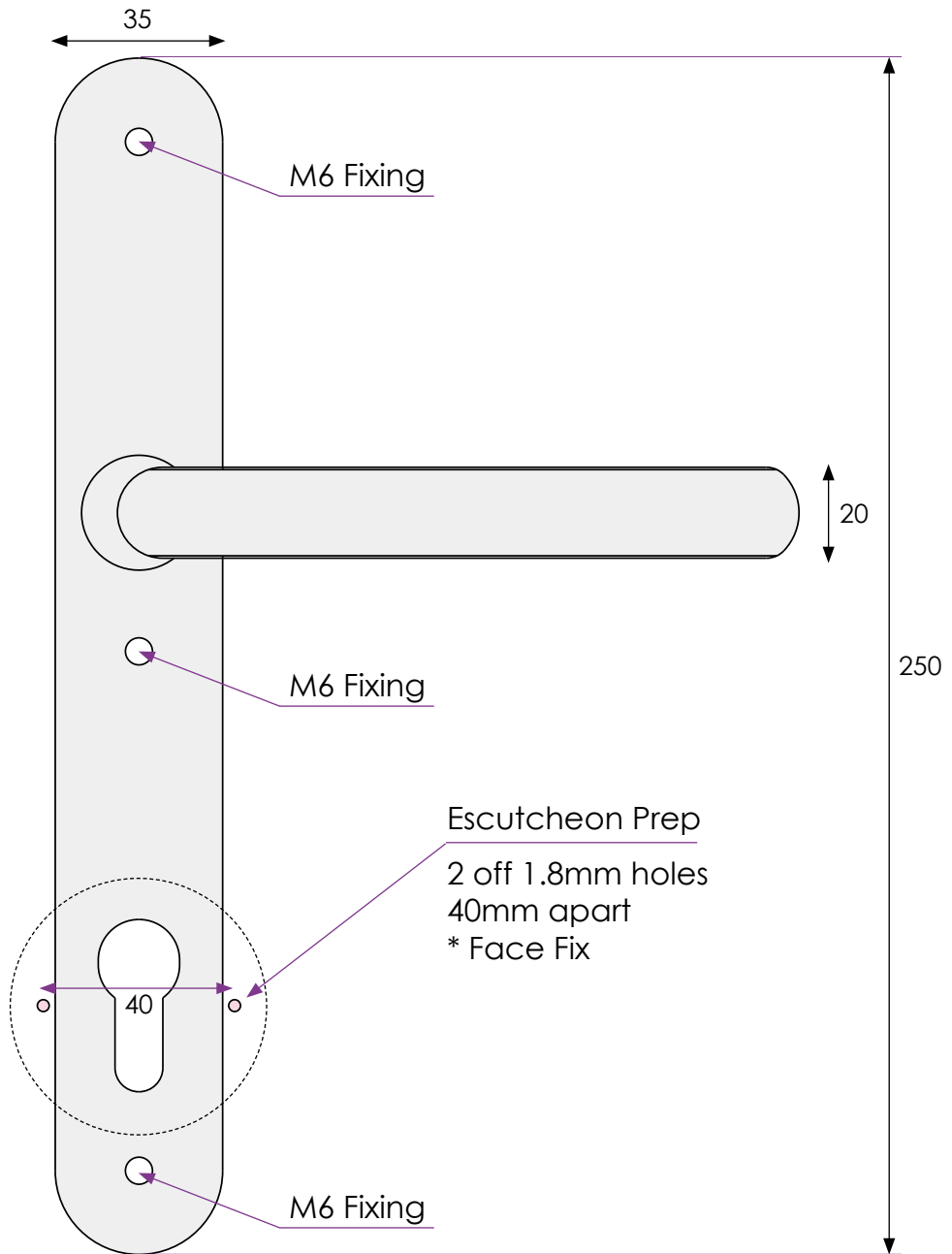


Standard Lever Handle

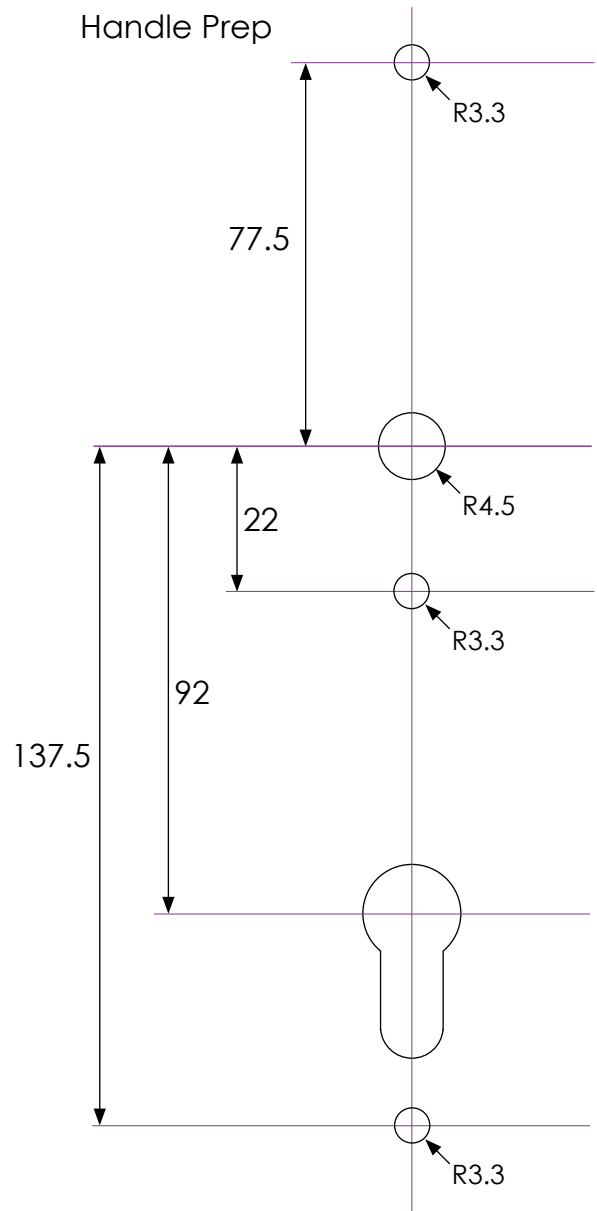
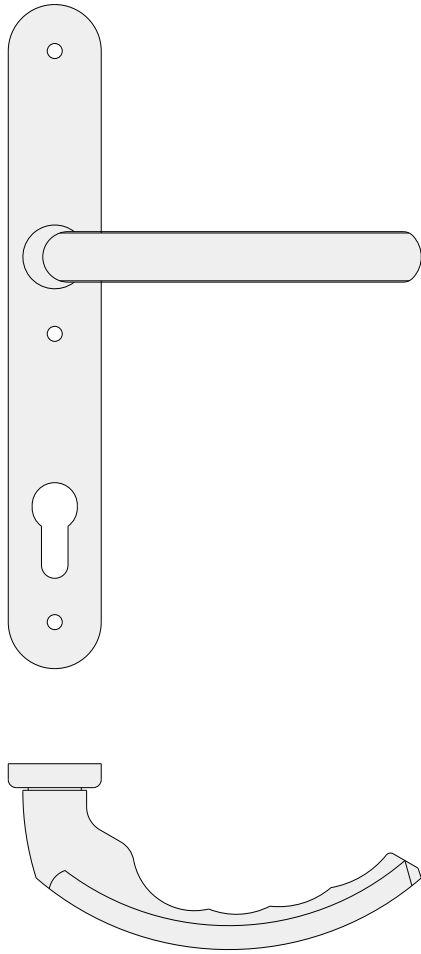




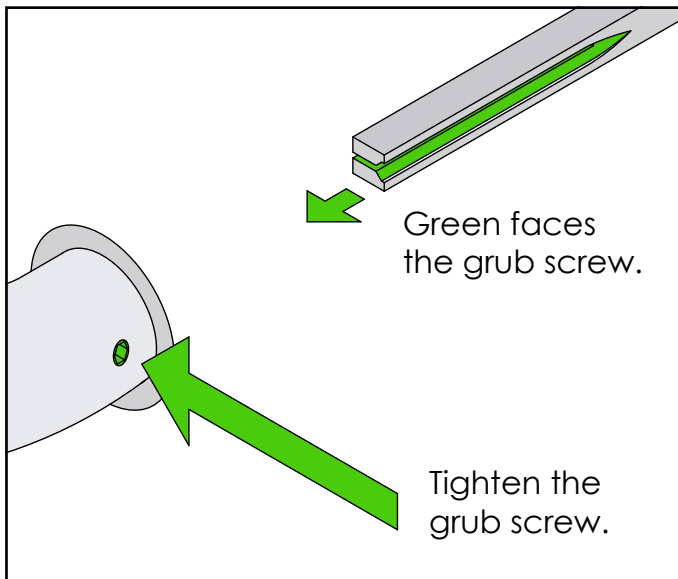
Lever Handle / Escutcheon Prep



Stainless Steel Handle

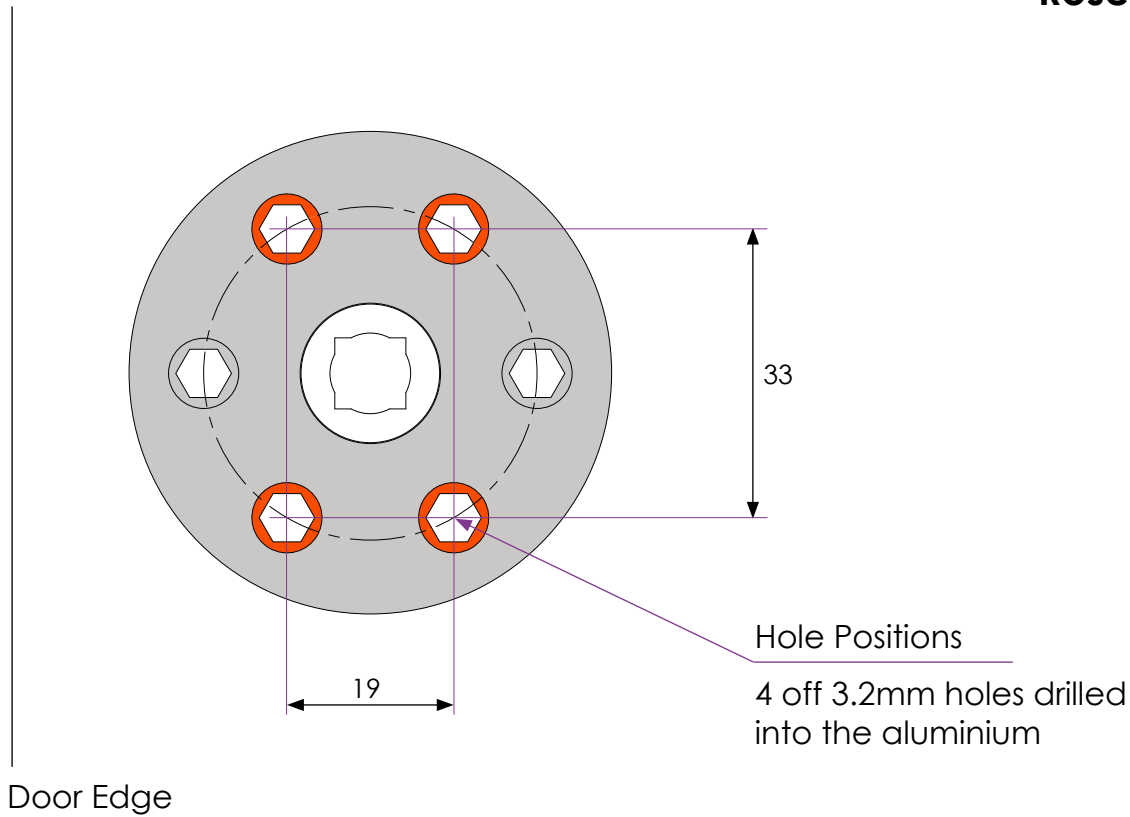


Important fitting Detail



Insert the spindle so the exposed dish (or spindle groove) as shown in green faces the grub screw. Then tighten the grub screw clockwise to 'splay' the spindle and secure the handle in place.

Doing this **external** and **internal** ensures the handles are secured to the spindle.



Hole position Jig



Its important the jig lines up with the spindle hole on the door.



Its important the jig lines up with the spindle hole on the door.



When everything is lined up, place the pin into the jig and spindle hole to lock the position.

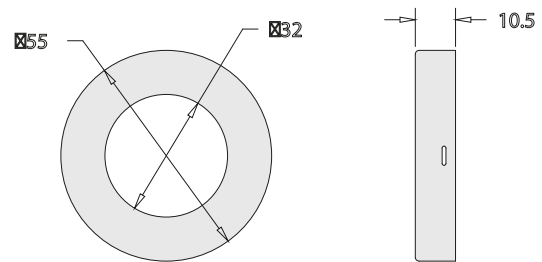
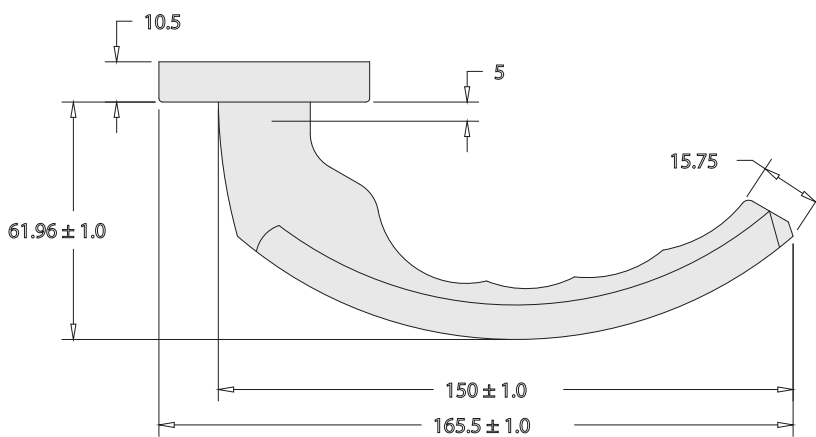
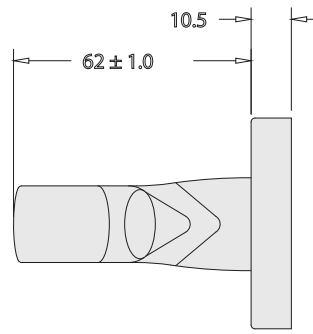
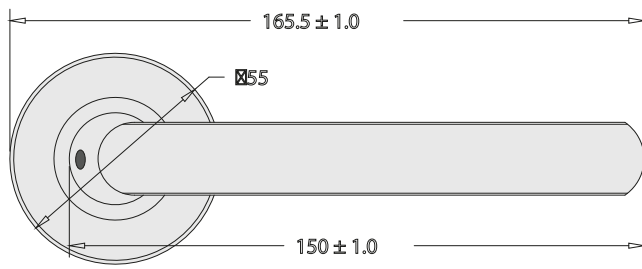


Drill four holes with a 3.2mm drill bit see picture below holding the jig firmly.

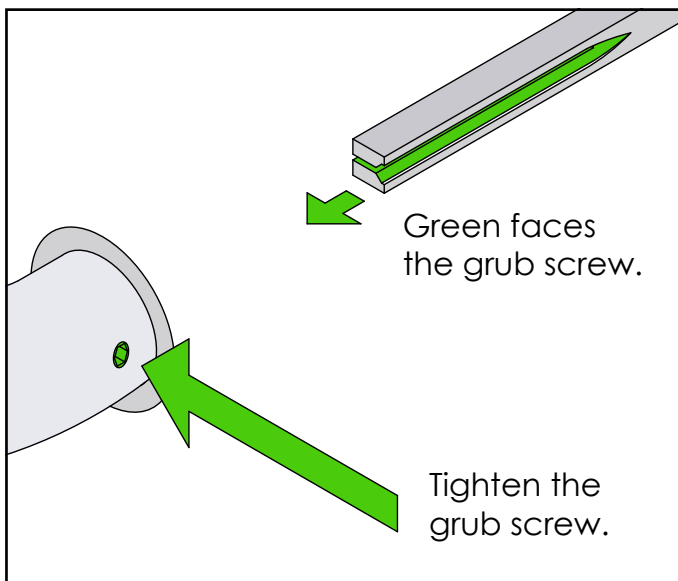


You MUST DRILL INTO THE SKIN AND THE ALUMINIUM REPEAT THE PROCESS ON THE OTHER SIDE OF THE DOOR.

European Rose Handle



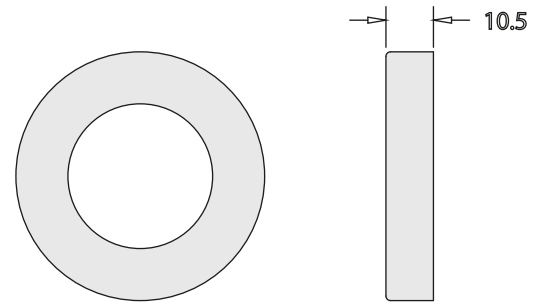
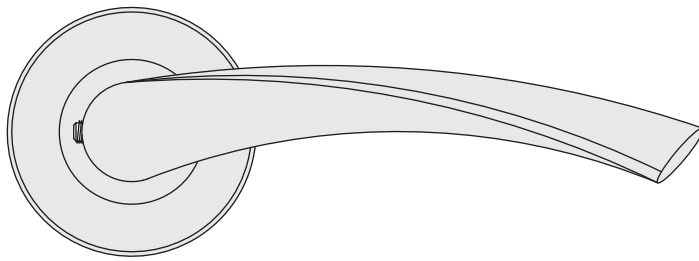
Important fitting Detail



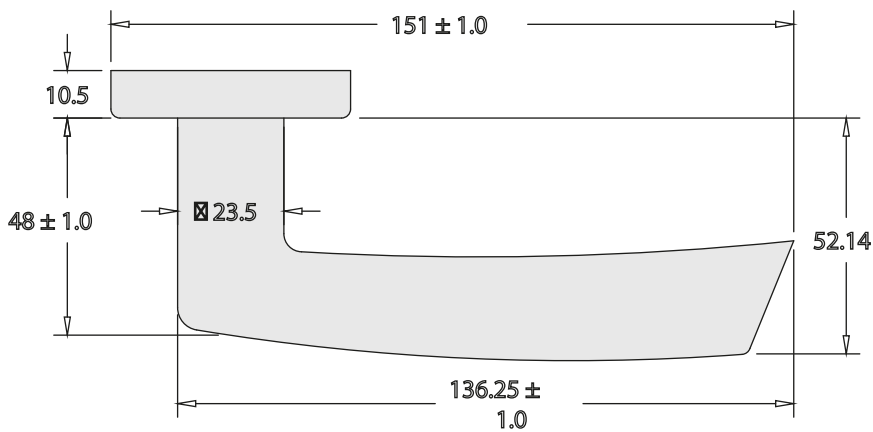
Insert the spindle so the exposed dish (or spindle groove) as shown in green faces the grub screw. Then tighten the grub screw clockwise to 'splay' the spindle and secure the handle in place.

Doing this **external** and **internal** ensures the handles are secured to the spindle.

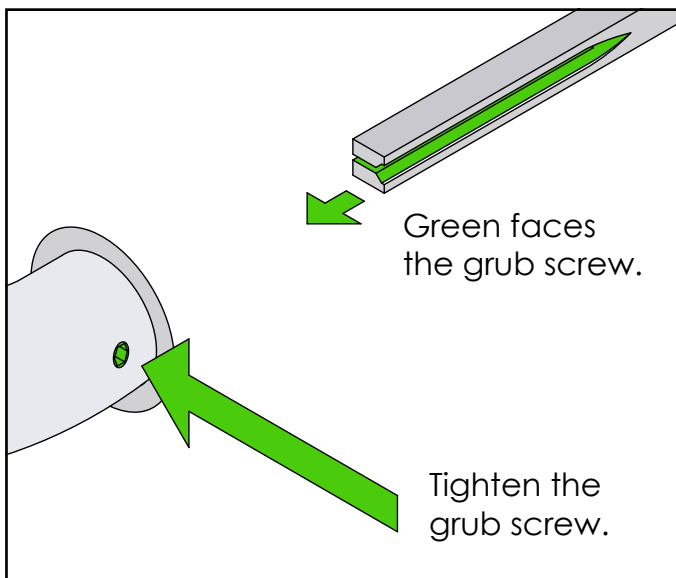
Curved Rose Handle



Cover Plate



Important fitting Detail

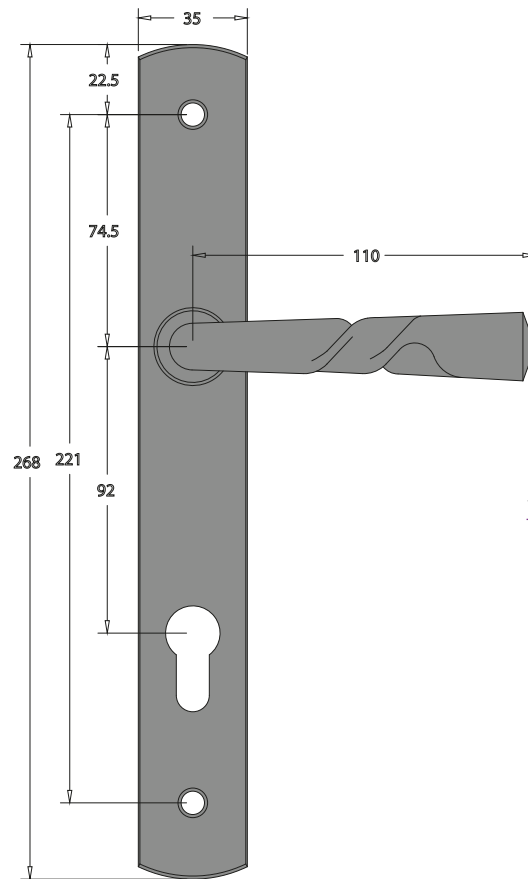
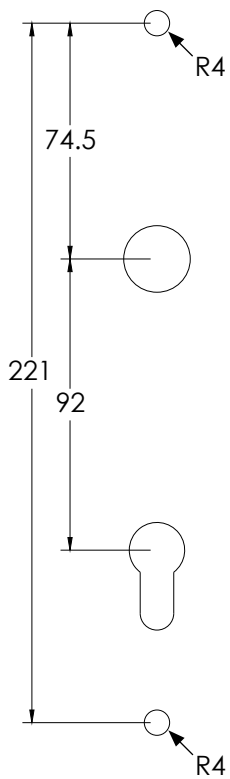


Insert the spindle so the exposed dish (or spindle groove) as shown in green faces the grub screw. Then tighten the grub screw clockwise to 'splay' the spindle and secure the handle in place.

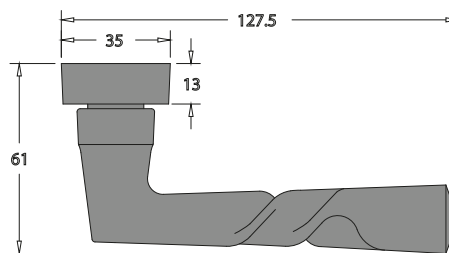
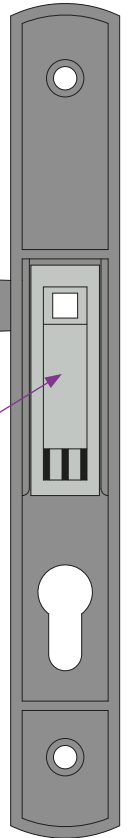
Doing this **external** and **internal** ensures the handles are secured to the spindle.

Twist Lever Handle

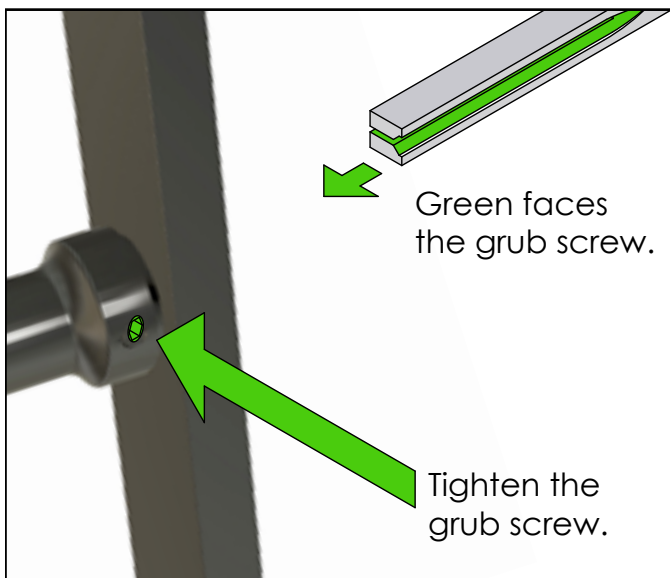
Handle Prep



Spring Cassette



Important fitting Detail

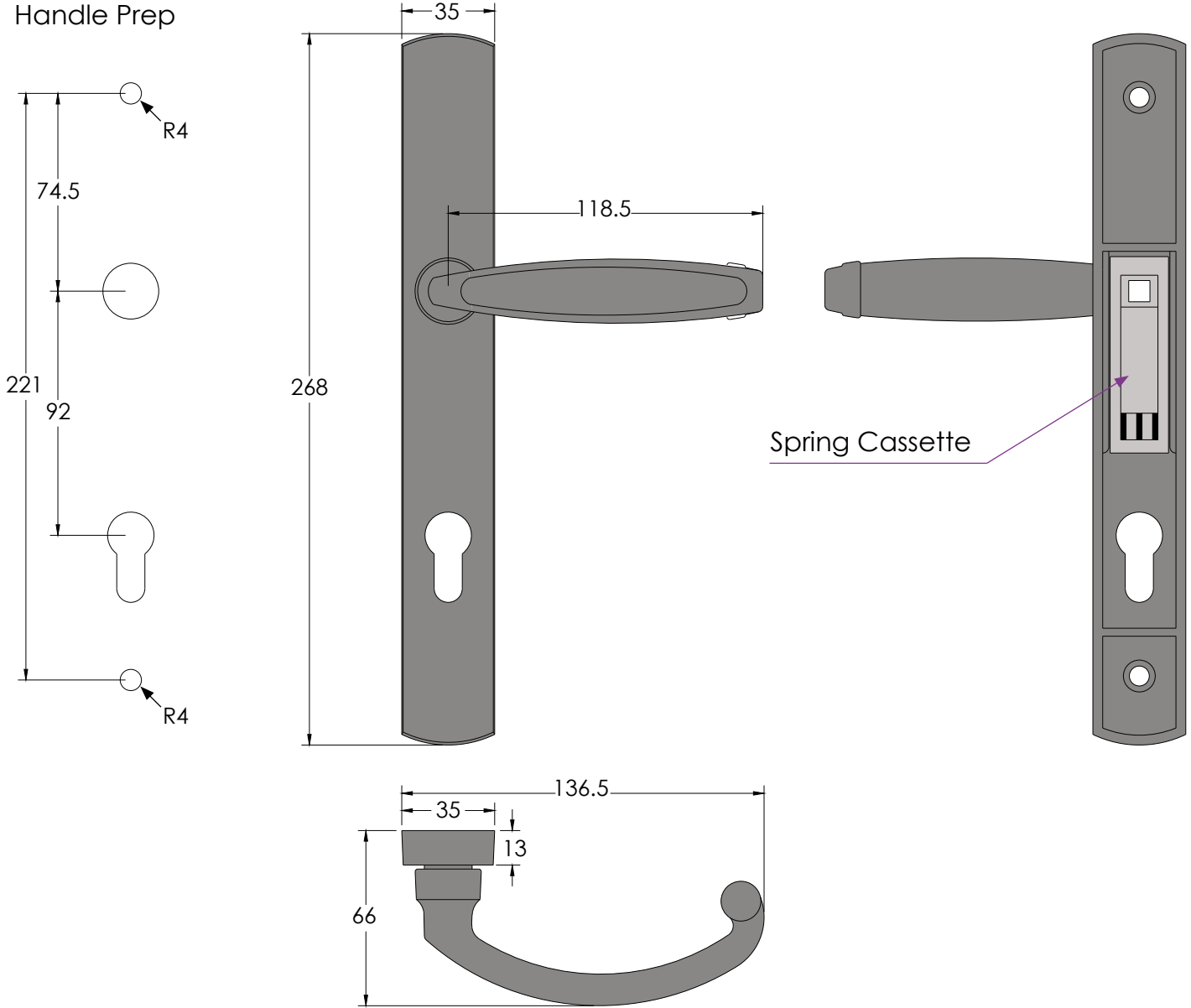


Insert the spindle so the exposed dish (or spindle groove) as shown in green faces the grub screw. Then tighten the grub screw clockwise to 'splay' the spindle and secure the handle in place.

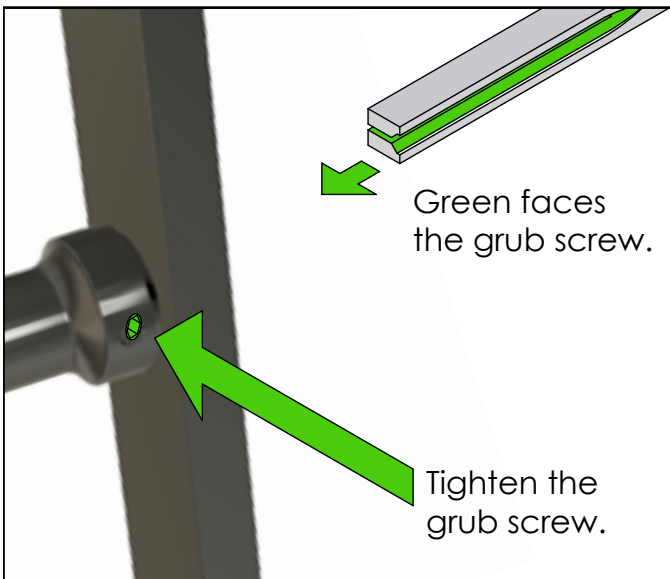
Doing this **external** and **internal** ensures the handles are secured to the spindle.

Arched Lever Handle

Handle Prep



Important fitting Detail



Insert the spindle so the exposed dish (or spindle groove) as shown in green faces the grub screw. Then tighten the grub screw clockwise to 'splay' the spindle and secure the handle in place.

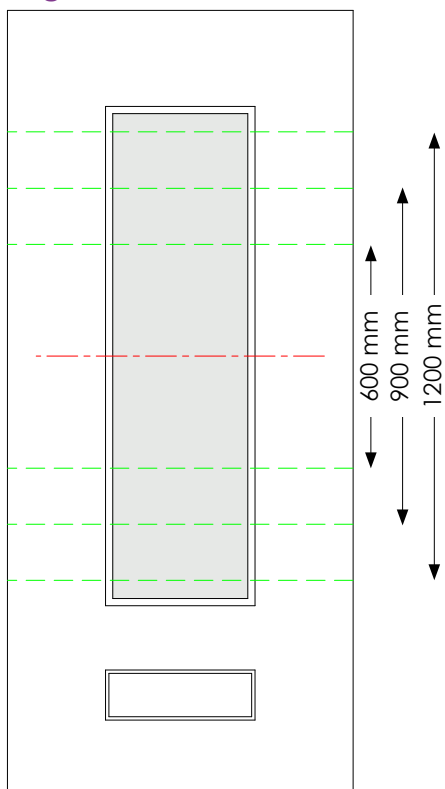
Doing this **external** and **internal** ensures the handles are secured to the spindle.



In Line Bar Handle

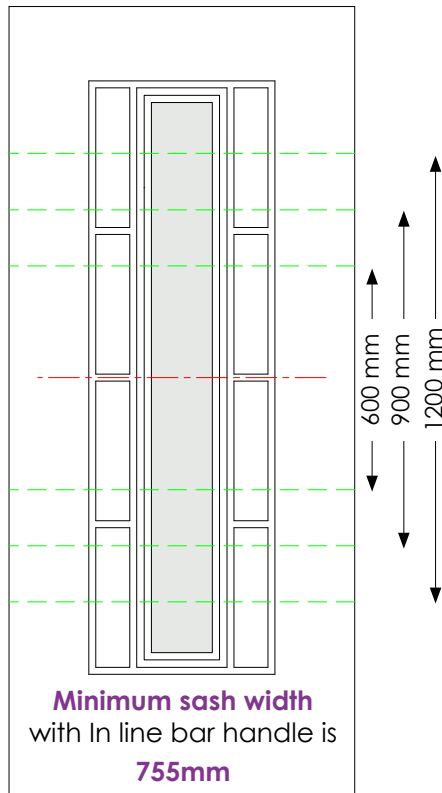
600mm, 900mm and 1200mm Fitting Position

Vogue



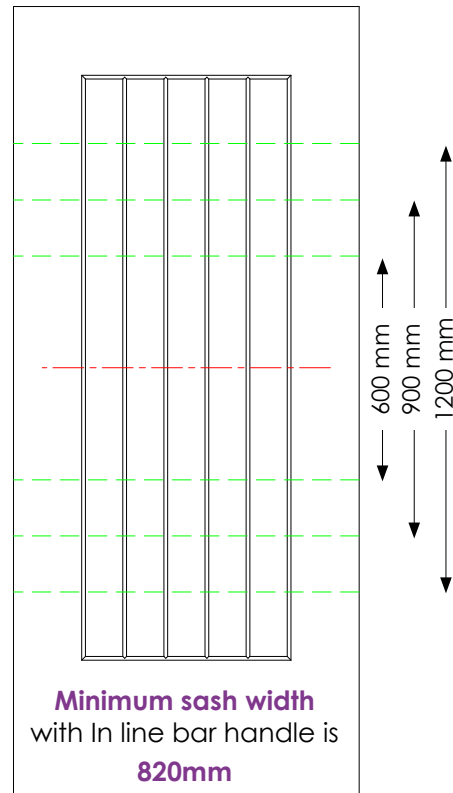
Centred with the glass

Vermont



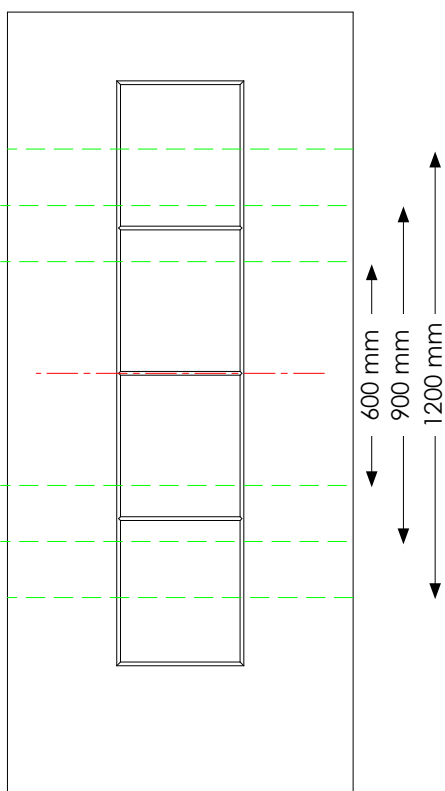
Centred with the glass

Indiana



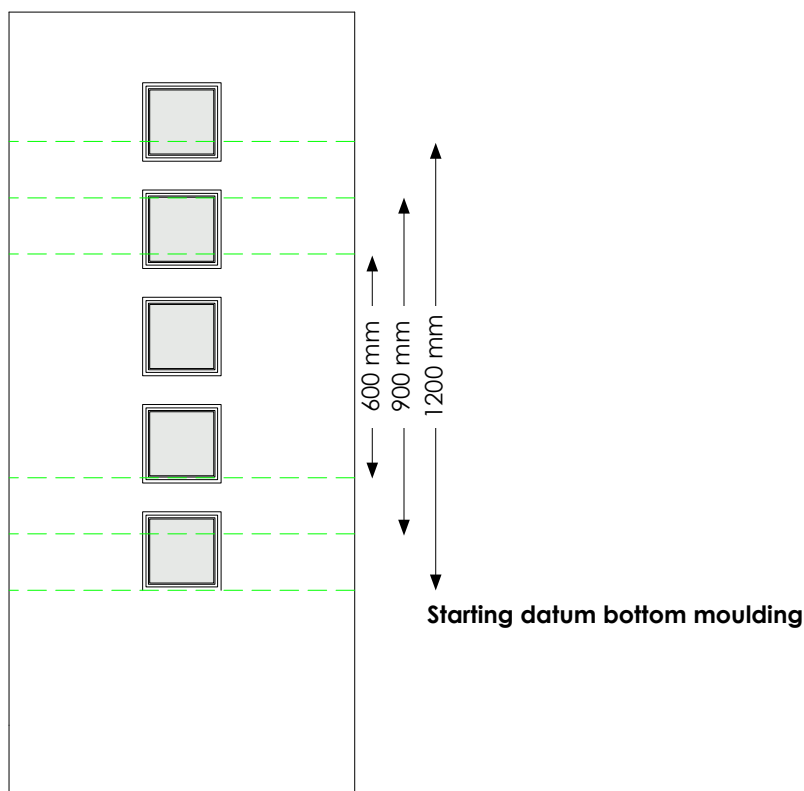
Centred with the mouldings

Dakota



Centred with the mouldings

Manhattan



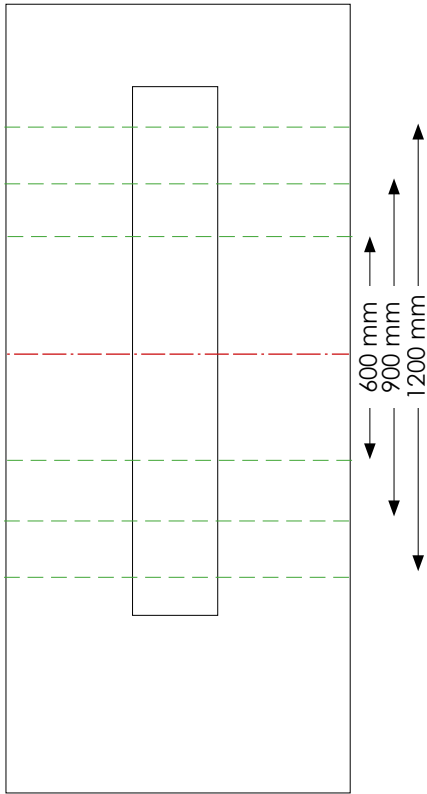
Starting datum bottom moulding

In line bar handles

are fitted **115mm** from the edge of the door to the centre of the fixing hole.

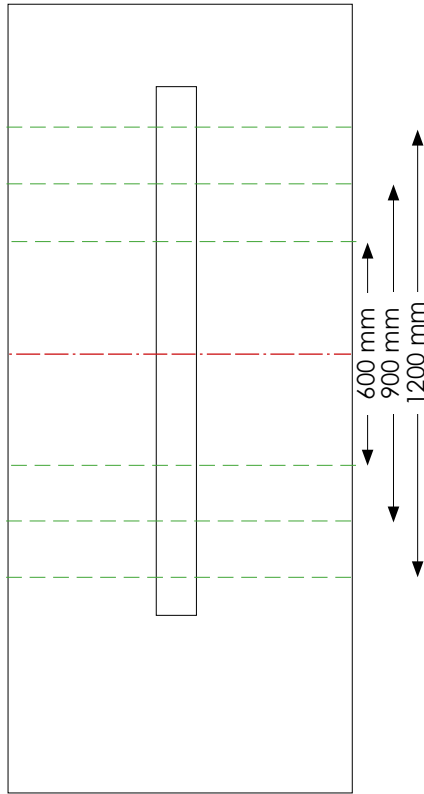
600mm, 900mm and 1200mm Fitting Position

Dune Vision



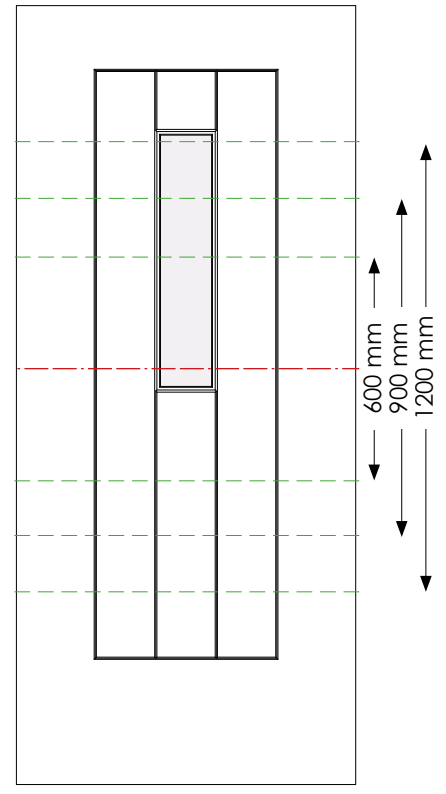
Centred with the glass

Dune Retreat



Centred with the glass

Aspen



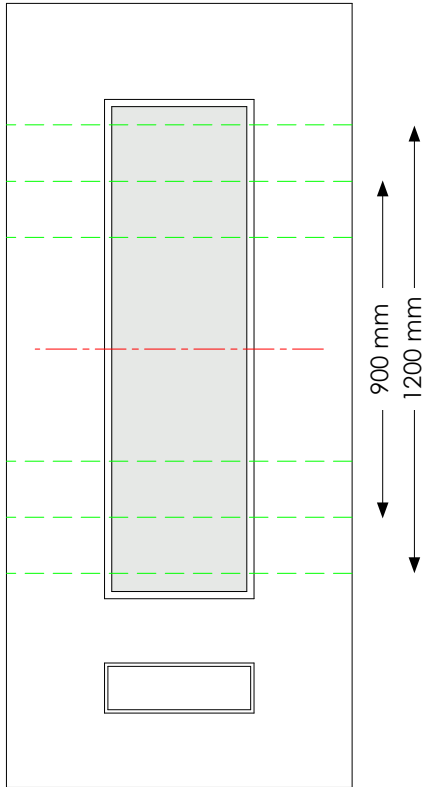
Centred with the mouldings

In line bar handles

are fitted **115mm** from the edge of the door to the centre of the fixing hole.

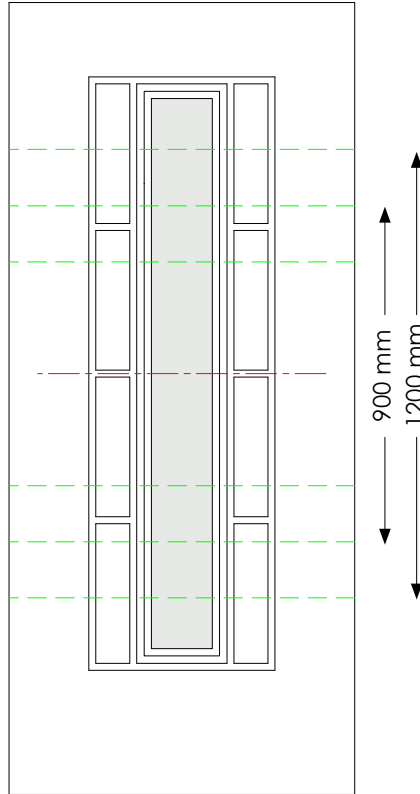
900mm and 1200mm Fitting Position

Vogue



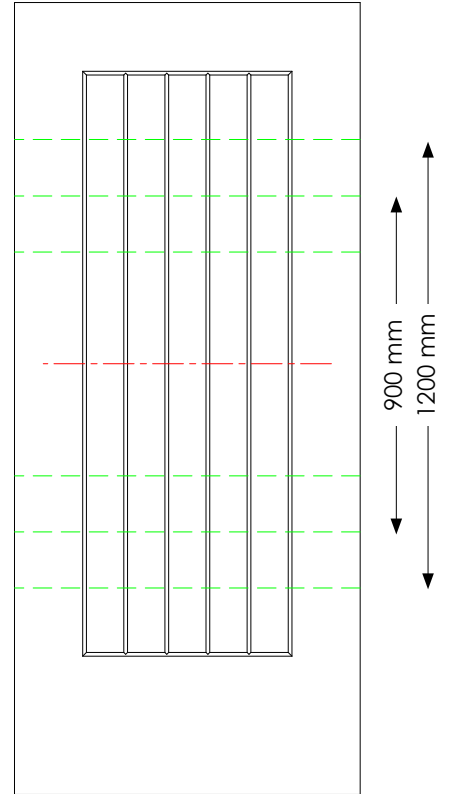
Centred with the glass

Vermont



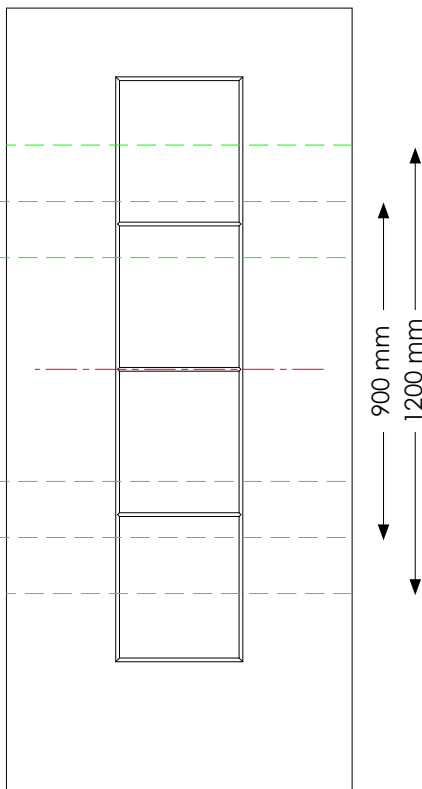
Centred with the glass

Indiana



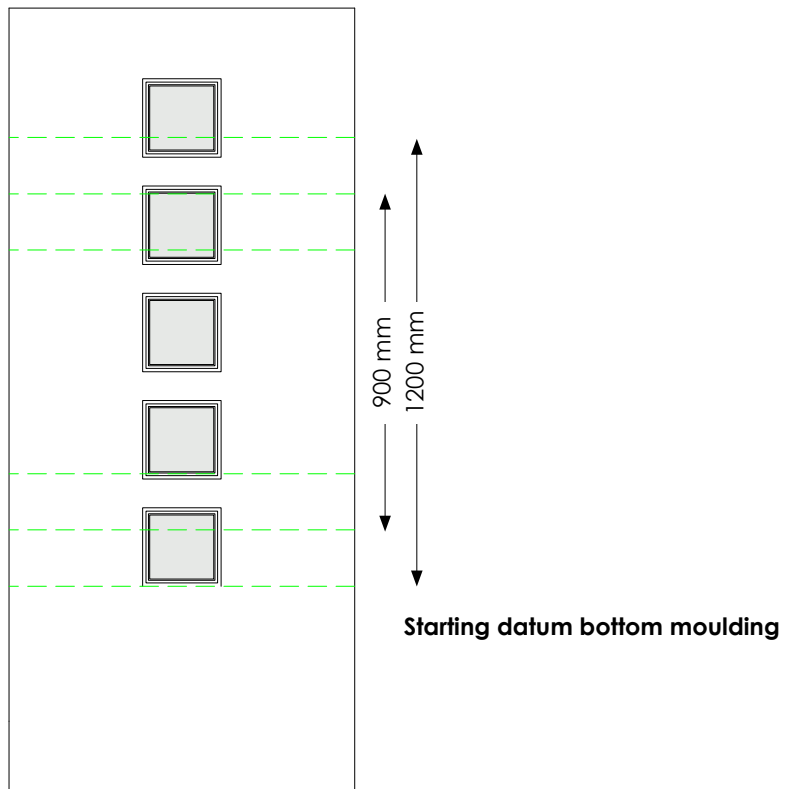
Centred with the mouldings

Dakota



Centred with the mouldings

Manhattan



Starting datum bottom moulding

Off set bar handles

are fitted **45mm** from the edge of the door to the centre of the fixing hole.

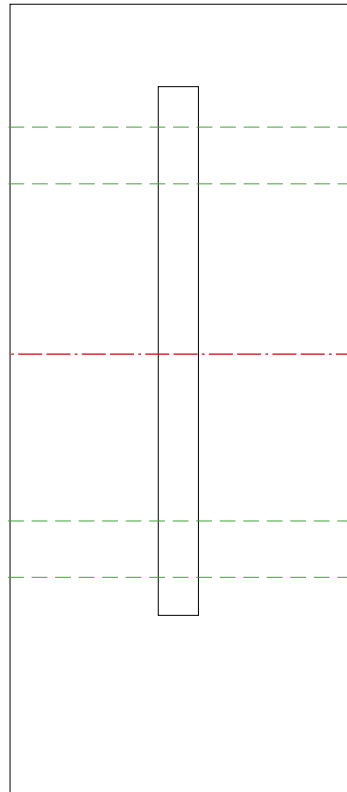
900mm and 1200mm Fitting Position

Dune Vision



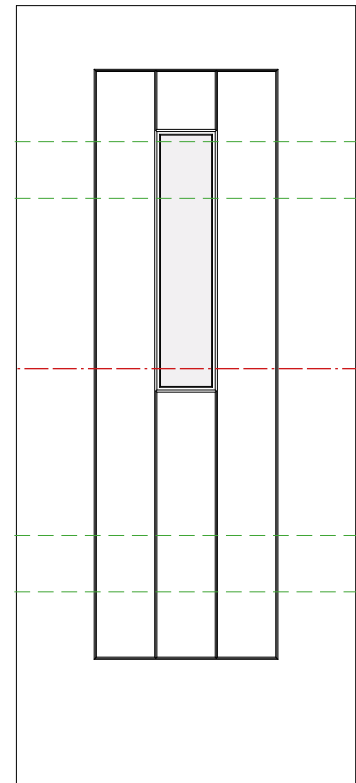
Centred with the glass

Dune Retreat



Centred with the glass

Aspen



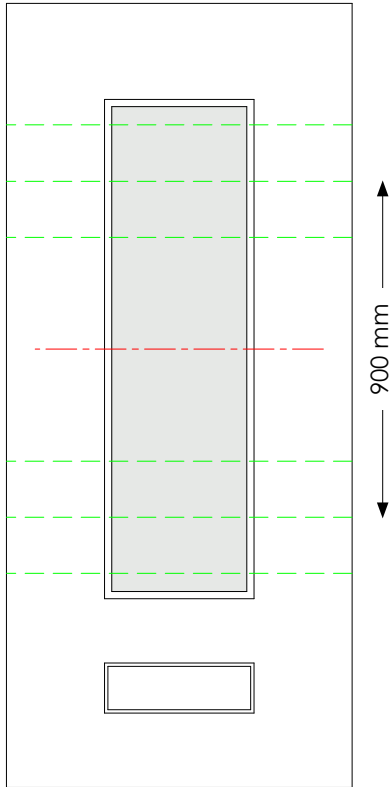
Centred with the mouldings

Off set bar handles

are fitted **45mm** from the edge of the door to the centre of the fixing hole.

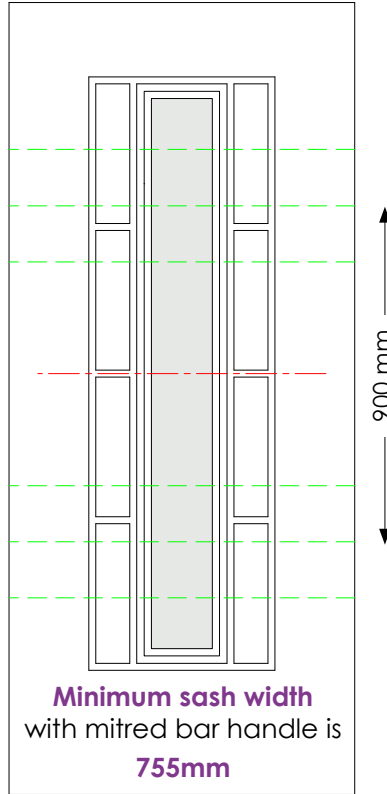
900mm Fitting Position

Vogue



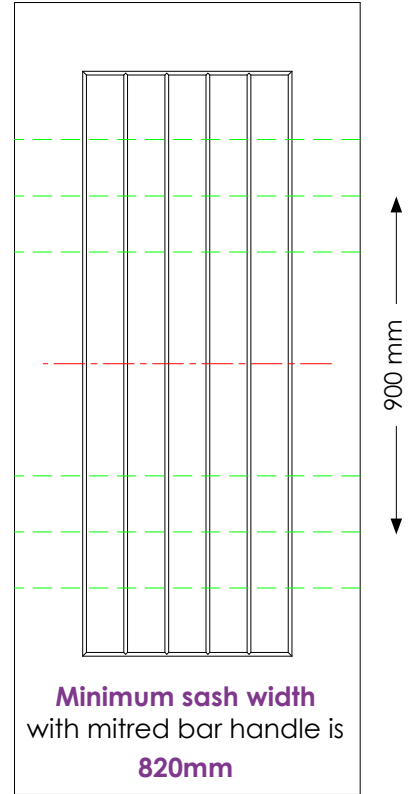
Centred with the glass

Vermont



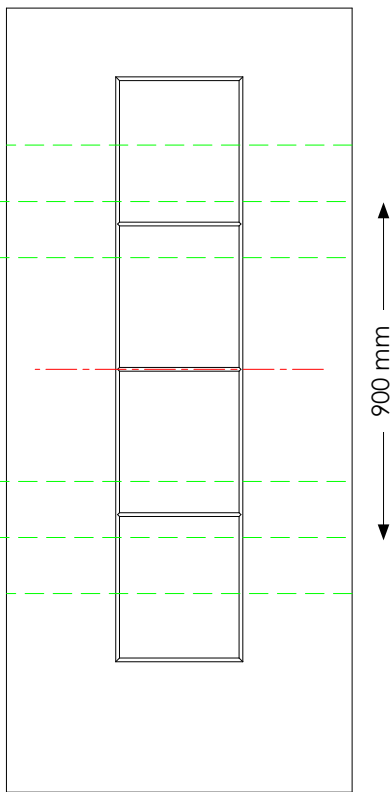
Centred with the glass

Indiana



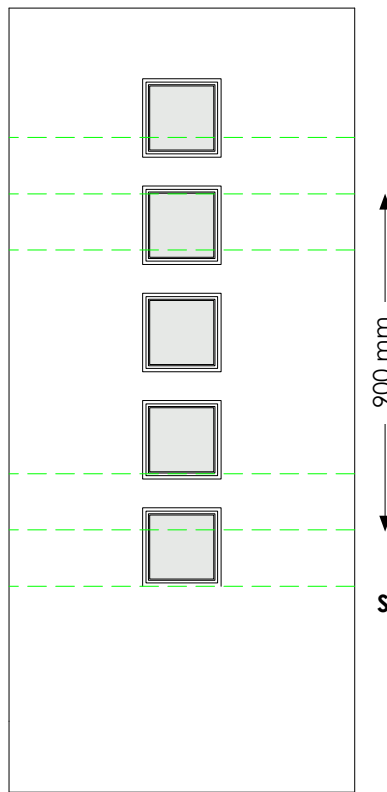
Centred with the mouldings

Dakota



Centred with the mouldings

Manhattan



Mitred bar handles

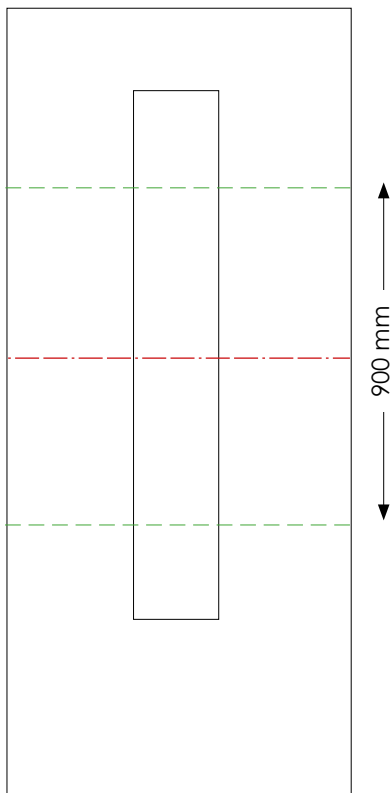
are fitted **115mm** from the edge of the door to the centre of the fixing hole.



Mitred Bar Handle

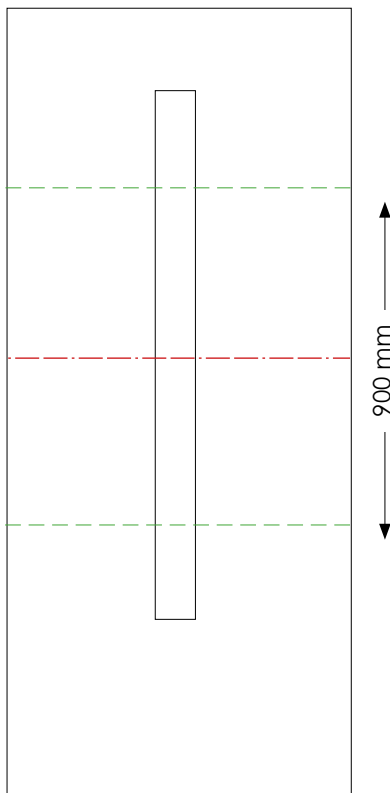
900mm Fitting Position

Dune Vision



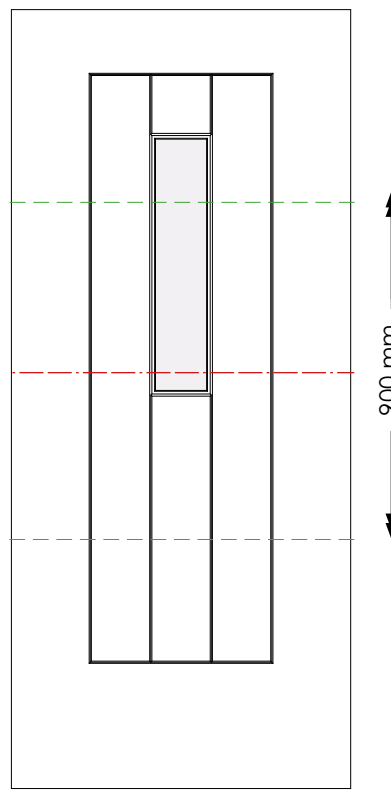
Centred with the glass

Dune Retreat



Centred with the glass

Aspen



Centred with the mouldings

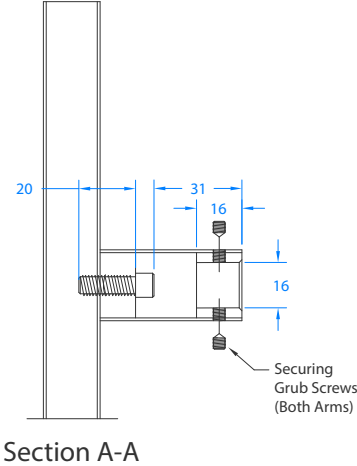
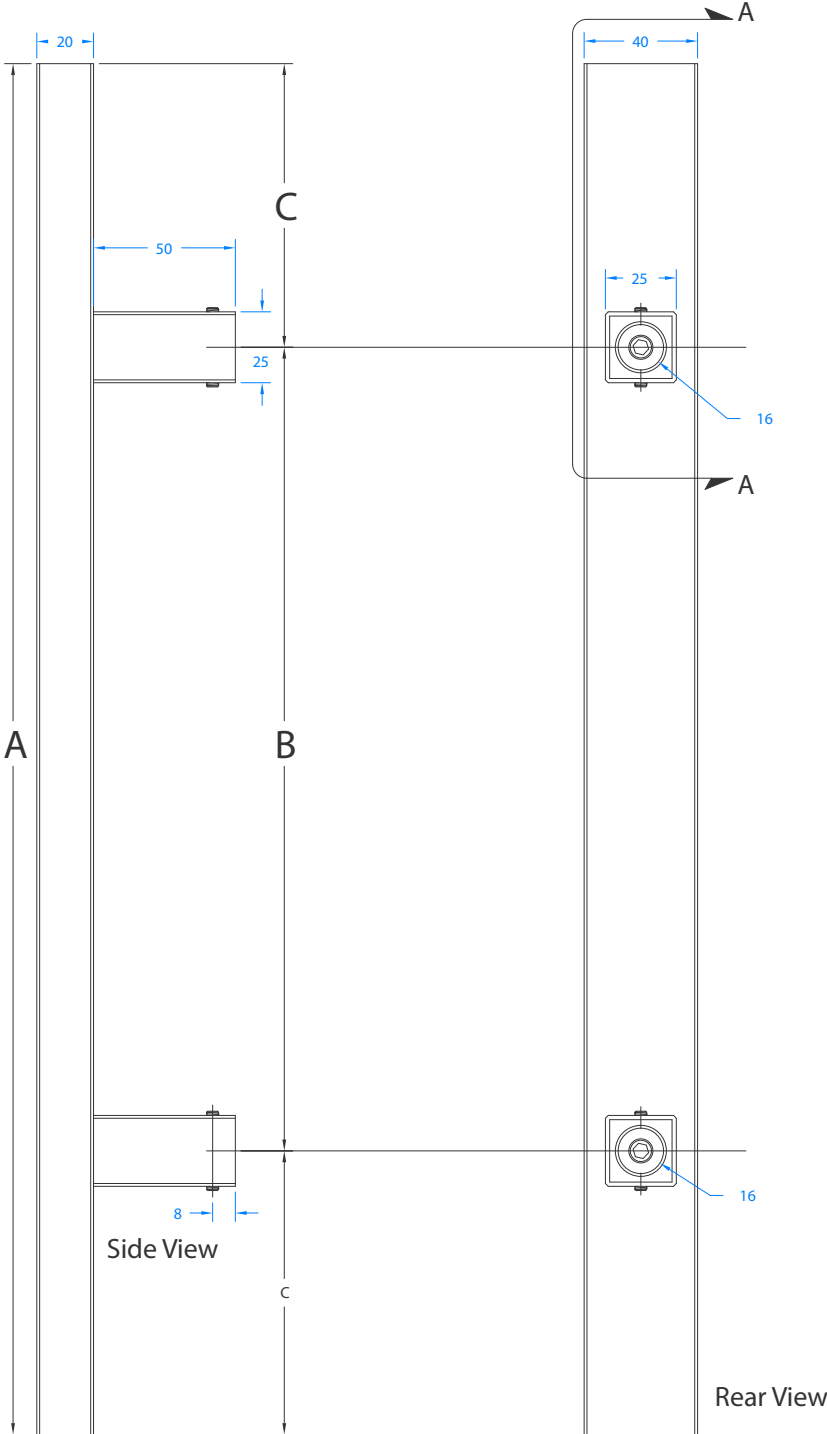
Mitred bar handles

are fitted **115mm** from the edge of the door to the centre of the fixing hole.

Square Bar 1200mm / Square Bar 900mm

SIZE: 1200 Bar Handle
A=1200mm
B=1000mm
C=100mm

SIZE: 900 Bar Handle
A=900mm
B=700mm
C=100mm

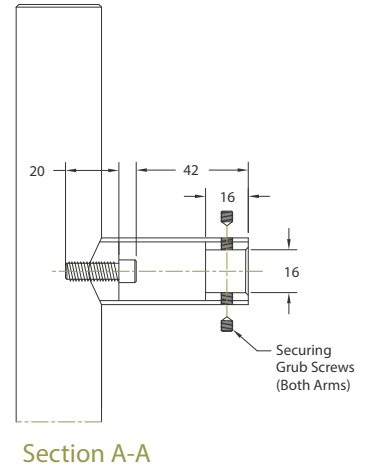
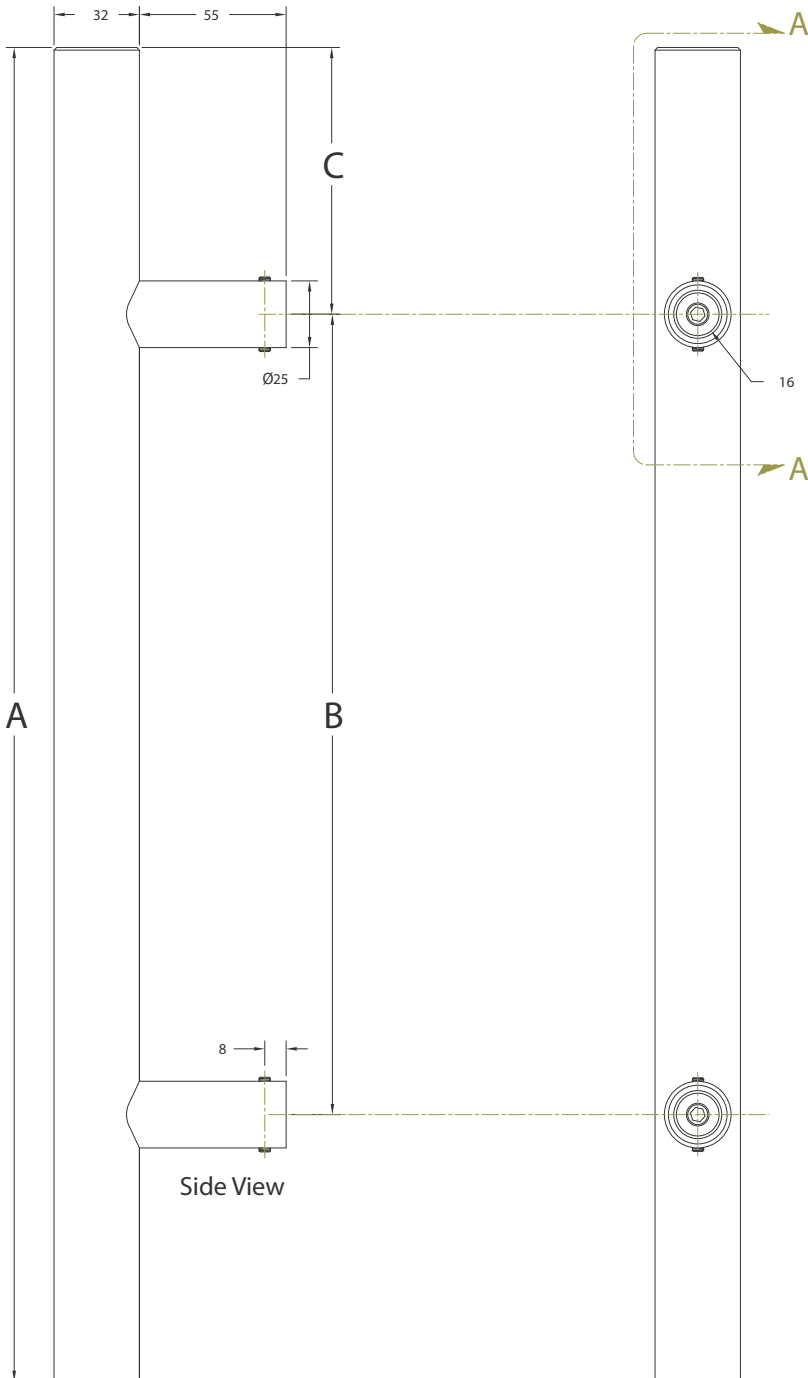


Round Bar 600mm, 900mm and 1200mm

SIZE:600mm
A=600mm
B=400mm
C=100mm

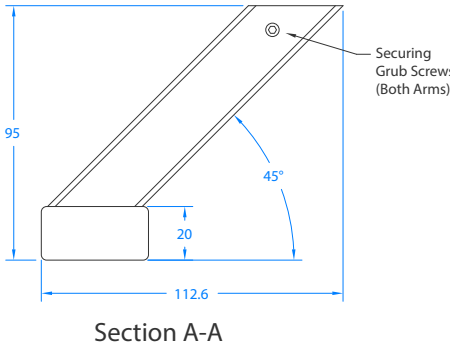
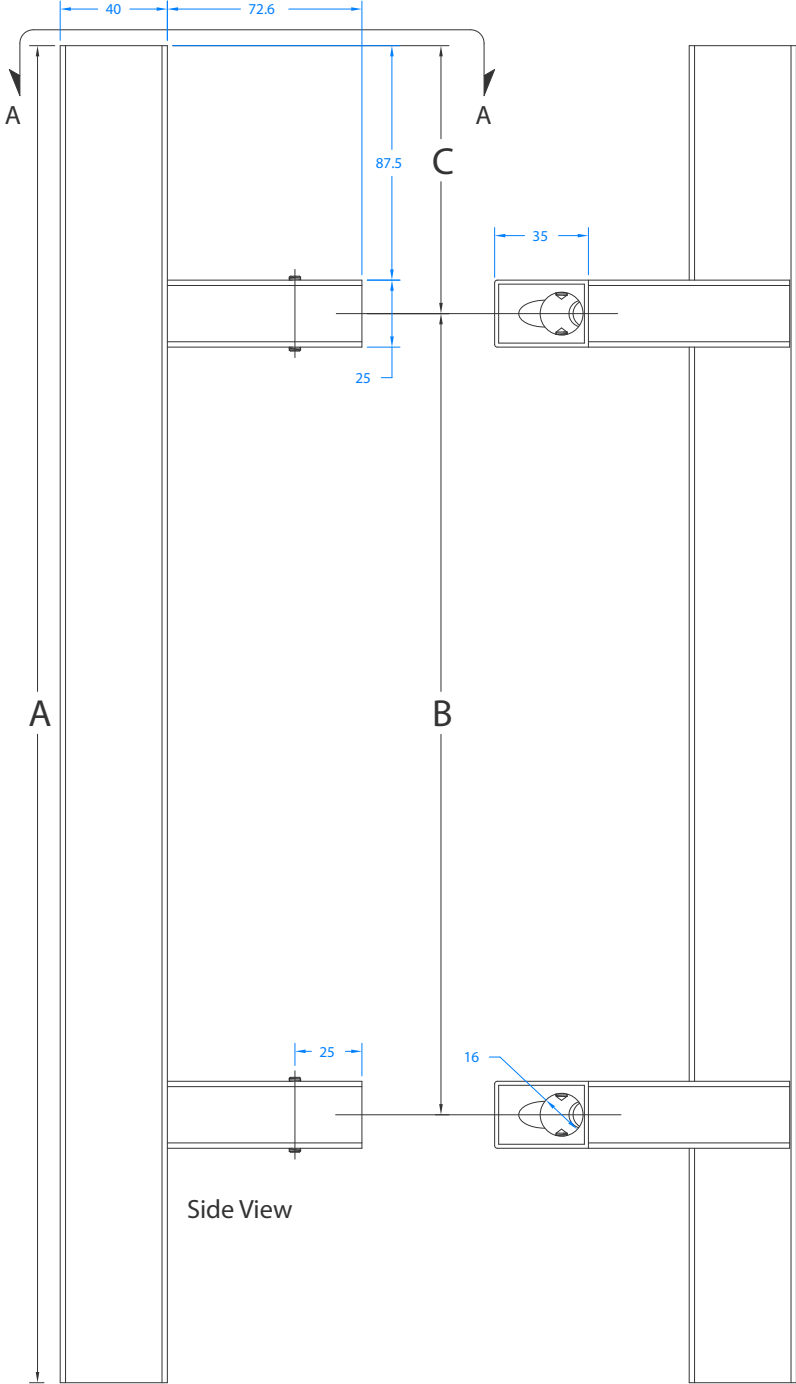
SIZE:900mm
A=900mm
B=700mm
C=100mm

SIZE:1200mm
A=1200mm
B=1000mm
C=100mm



Square Bar 1200mm (Offset)

SIZE:
A=1200mm
B=1000mm
C=100mm



[Fitting Instructions](#) ►

[Back to Contents](#) ►



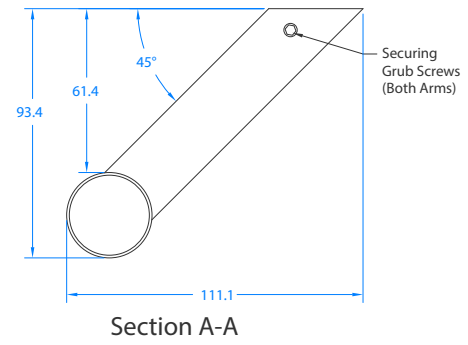
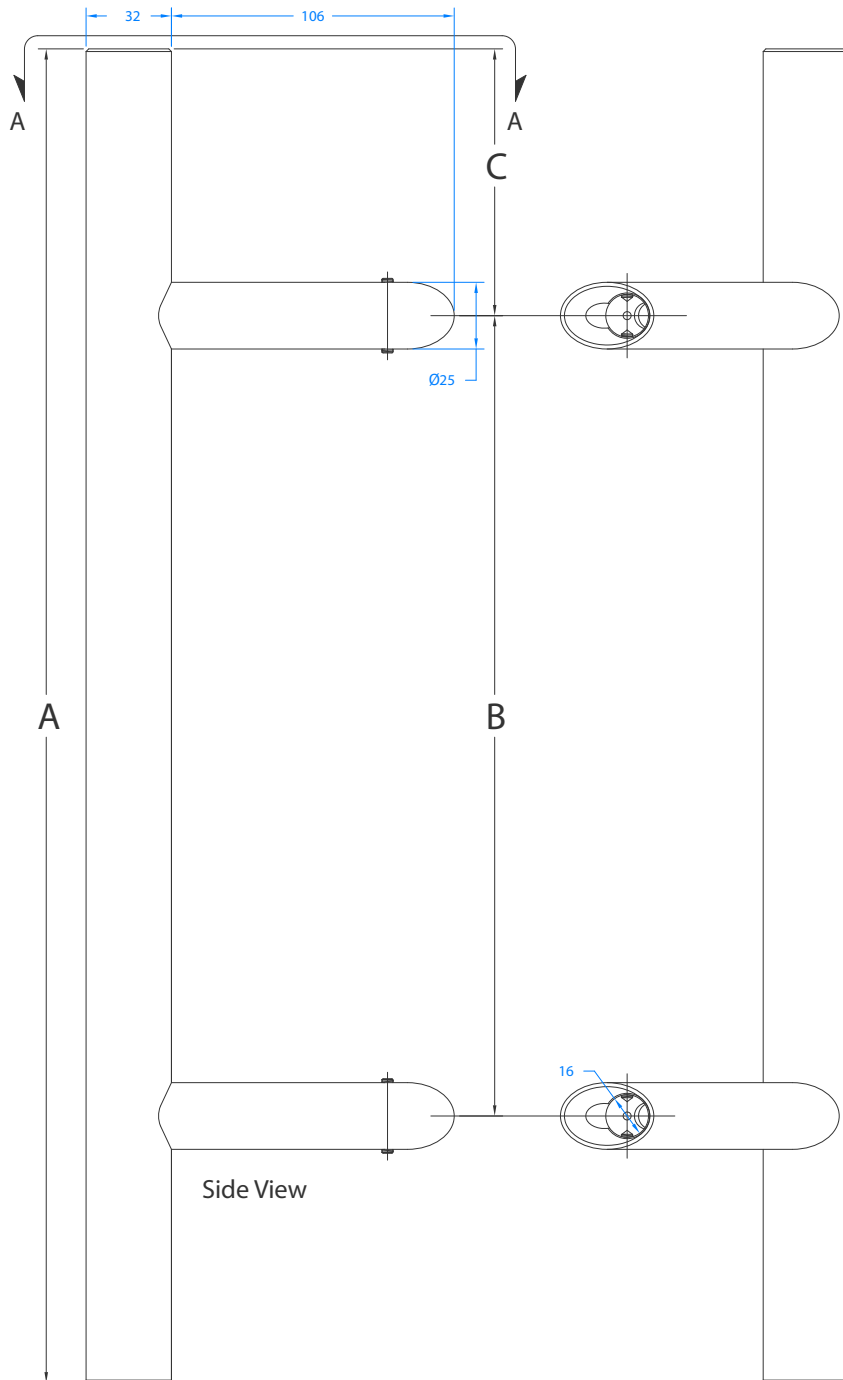
Round Bar 1200mm (Offset)

SIZE:

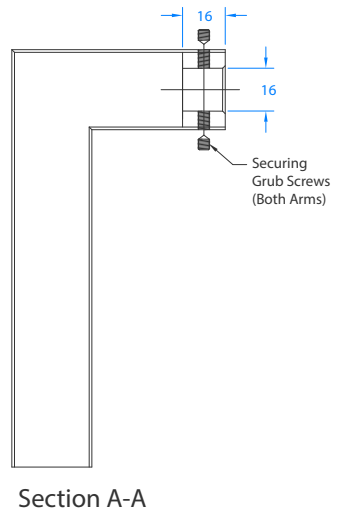
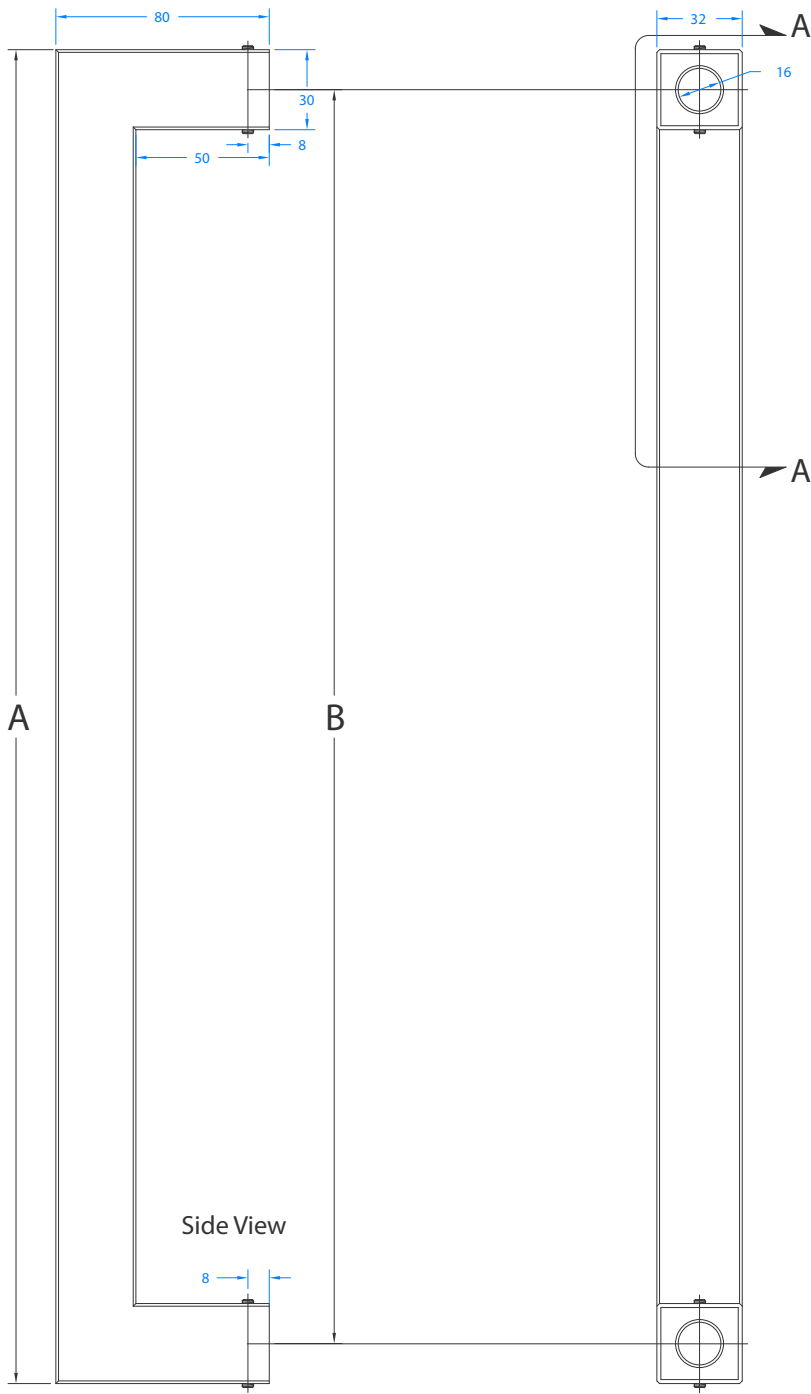
A=1200mm

B=1000mm

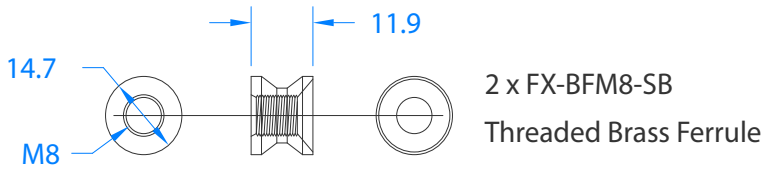
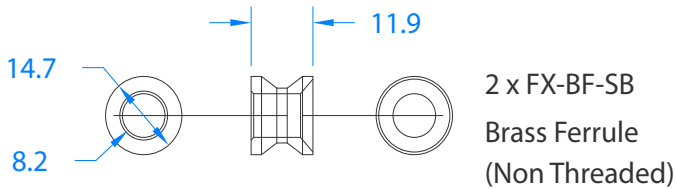
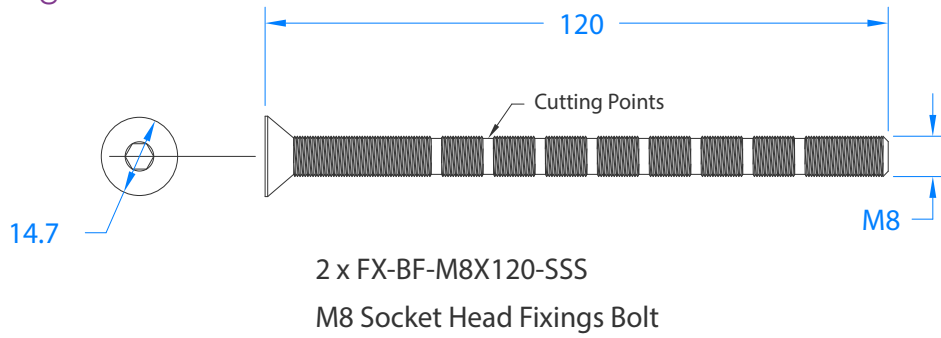
C=100mm



SIZE:
A=930mm
B= 900mm

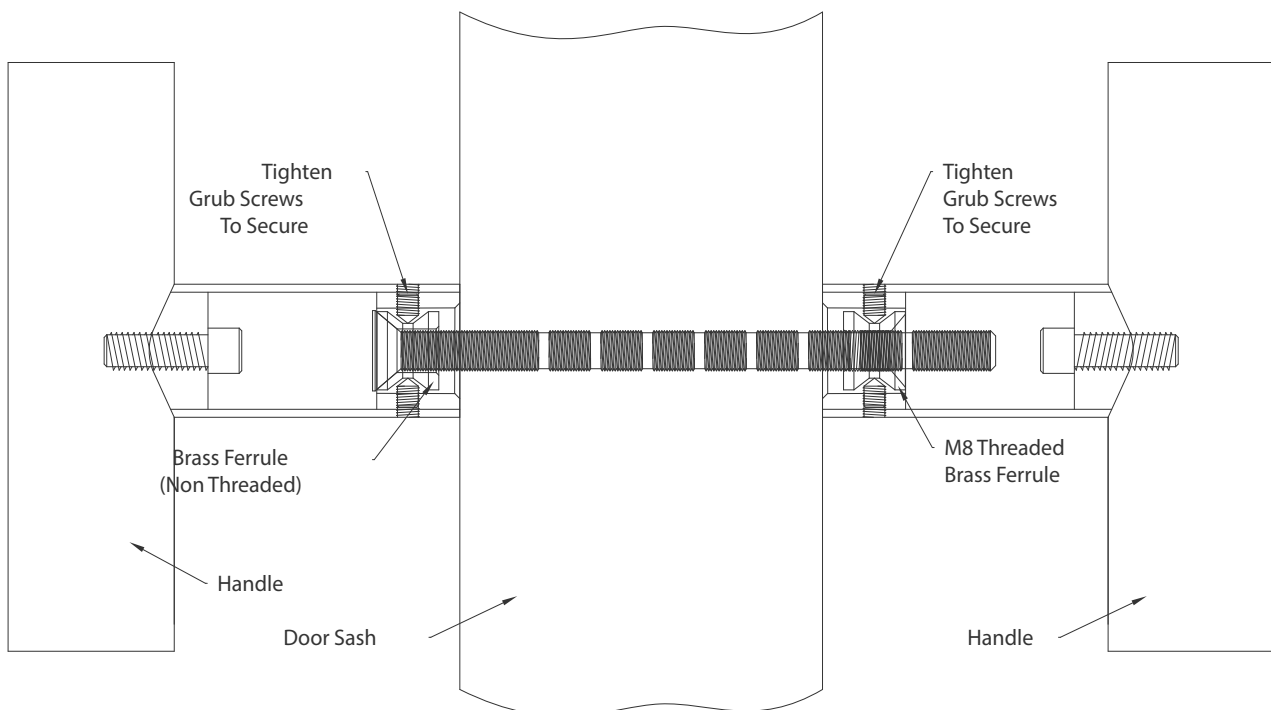


Fixing Kit Details



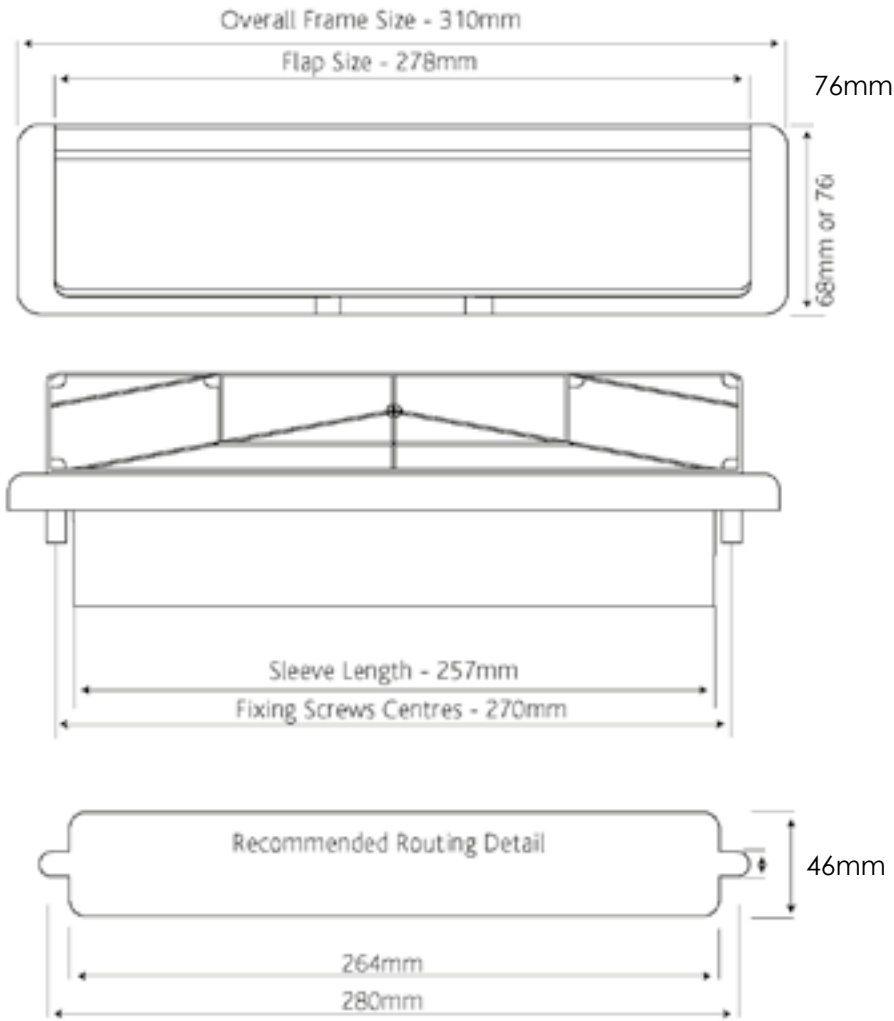
Fitting Instructions

Slide the brass ferrule over the fixing bolt so the counter sunk head fits into the counter sink of the ferrule then from the inside of the door, fit Nylon or Meal washer if required then push the bolt through the door, fit a washer if required then screw the threaded M8 ferrule to the fixing bolt from the outside, then fit the handles tightening the grub screws to secure.



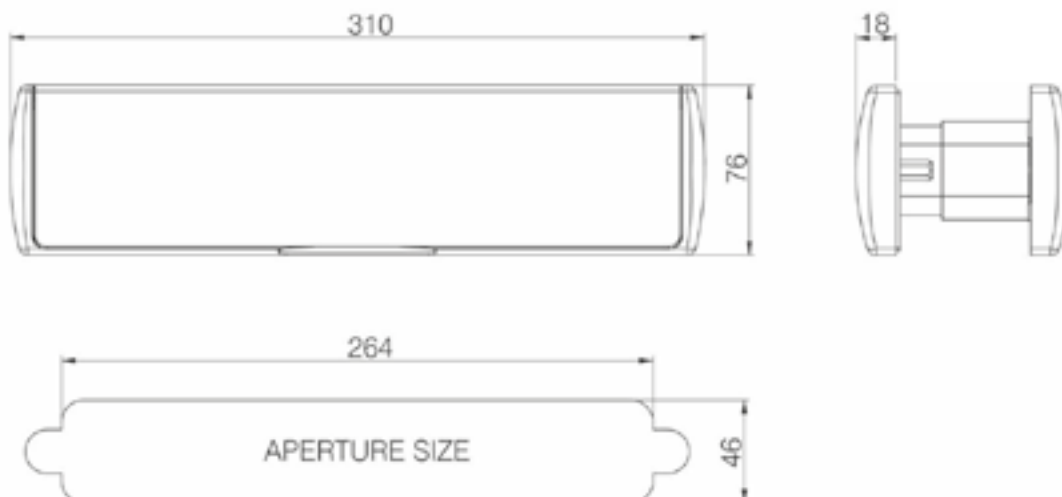
Standard Letterplate

Meets the requirements of BS EN 1670:2007 Grade 5 (480 hours)
 Flap cycle tested to 30,000 cycles Conforms to the requirements of BS EN 13724: 2002
 Zinc construction with hardex coating.



Stainless Steel Letterplate

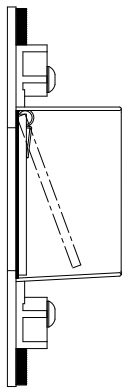
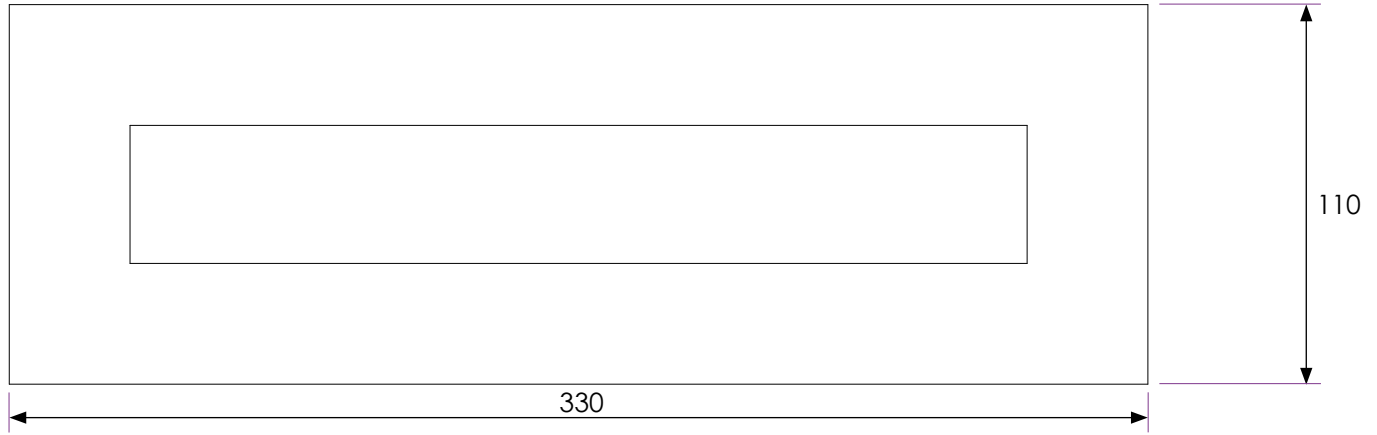
Cycle tested to 20,000 cycles
 Corrosion tested in excess of 1,000 hours based on BS EN 1670
 304 stainless steel construction



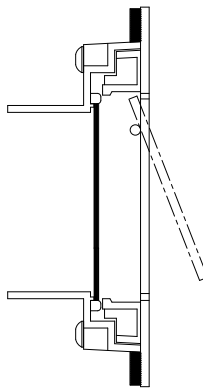


Stainless Steel Contemporary Letterplate

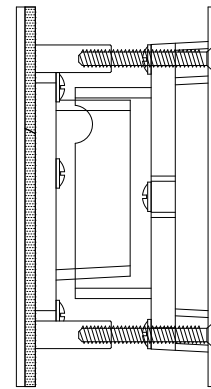
- Achieved 'Best in Class' BS6375-1 Weather Test results against air, wind and water.
Weather Test : Air Permeability: Class 4, Water Tightness: Class A9, Wind Resistance: Class 5
- Integral gaskets, brushes and telescopic liner for enhanced weather and draught protection.
- Built-in inner security flap helps prevent 'fishing'.
- Manufactured from 316 Grade Stainless Steel.
- Ideal for use where corrosion levels are high such as coastal environments.



External



Internal

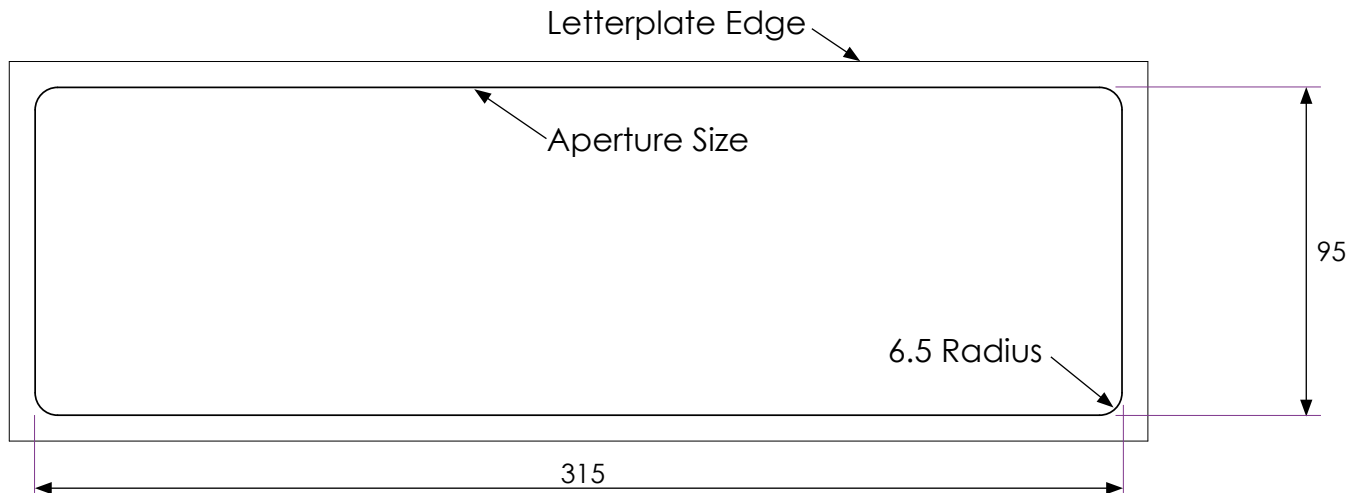


M5 x 50mm



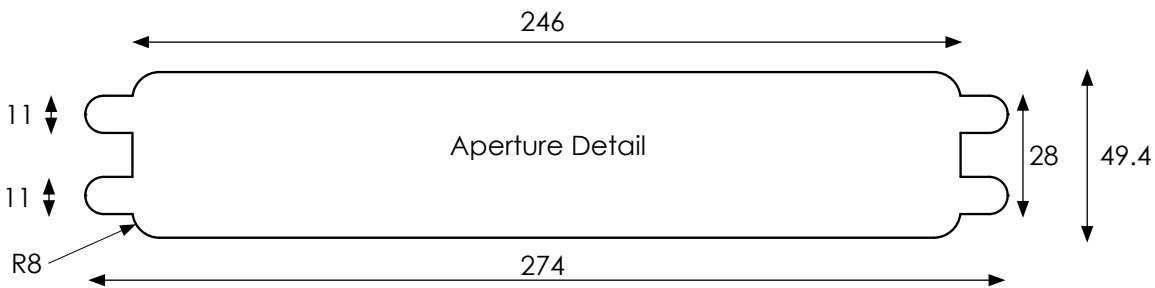
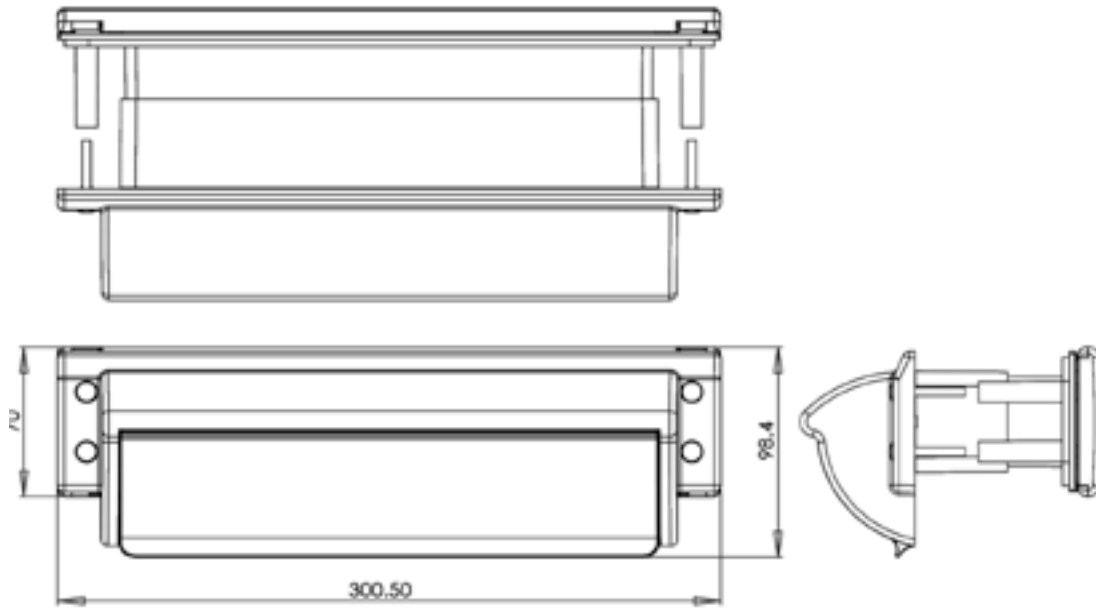
Aperture Detail

Not available under the glass on a Georga, Montana or Newark.



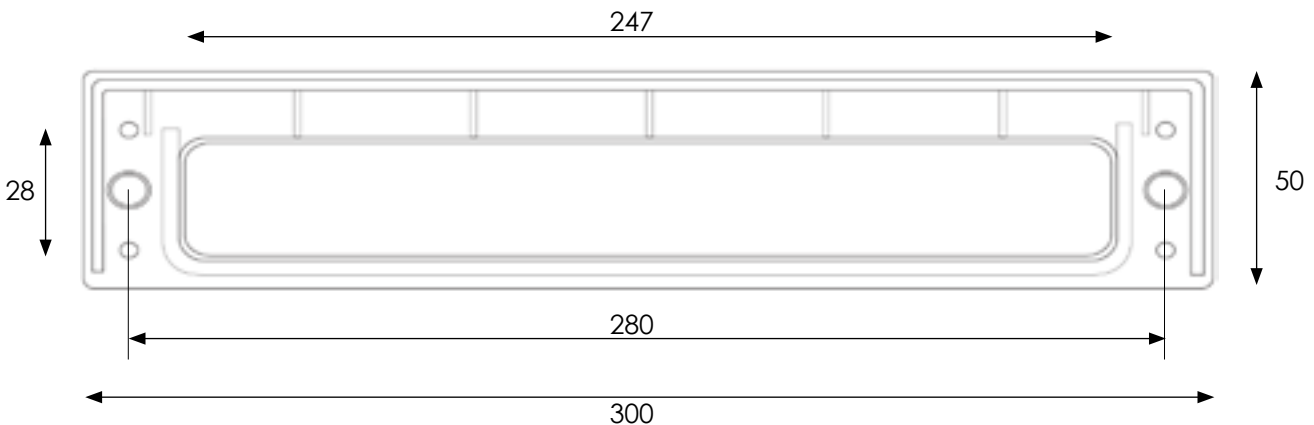
TS008 Letterplate

Cycle tested to 20,000 cycles
Corrosion tested in excess of 1,000 hours based on BS EN 1670
White PVC-U internal
304 stainless steel construction external
Concealed hinge mechanism for attack resistance



Sideframe Letterplate

180 Opening
Black plastic frame
Aperture size 247mm x 28mm



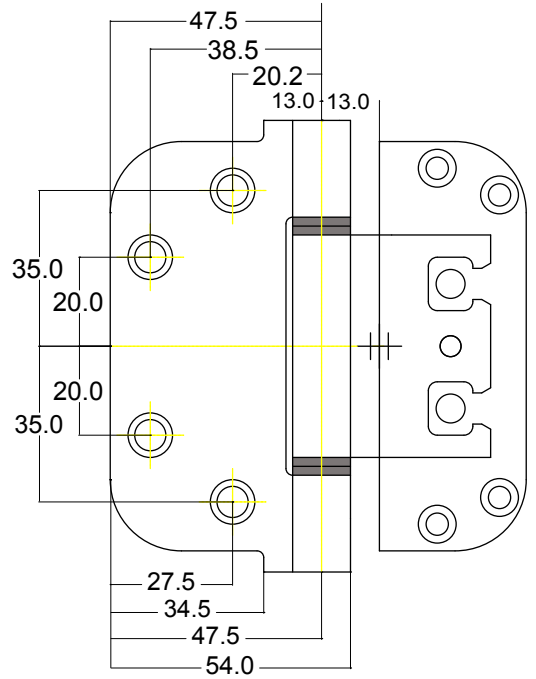
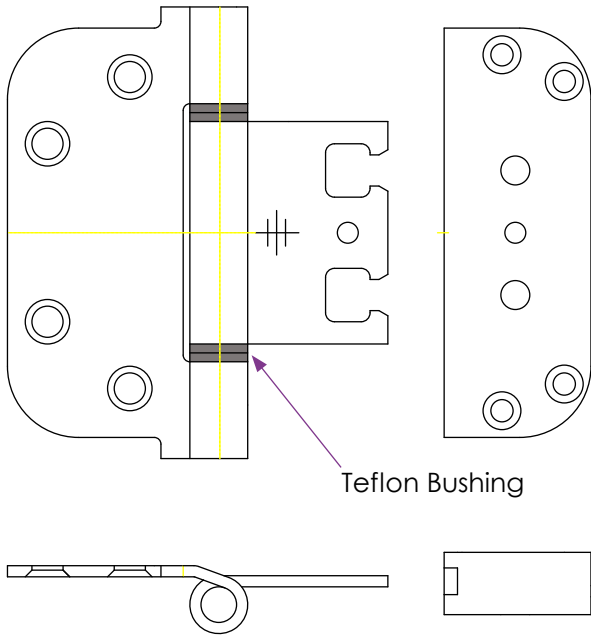
Rockdoor Standard Hinge

Adjustable using a 4mm allen key.

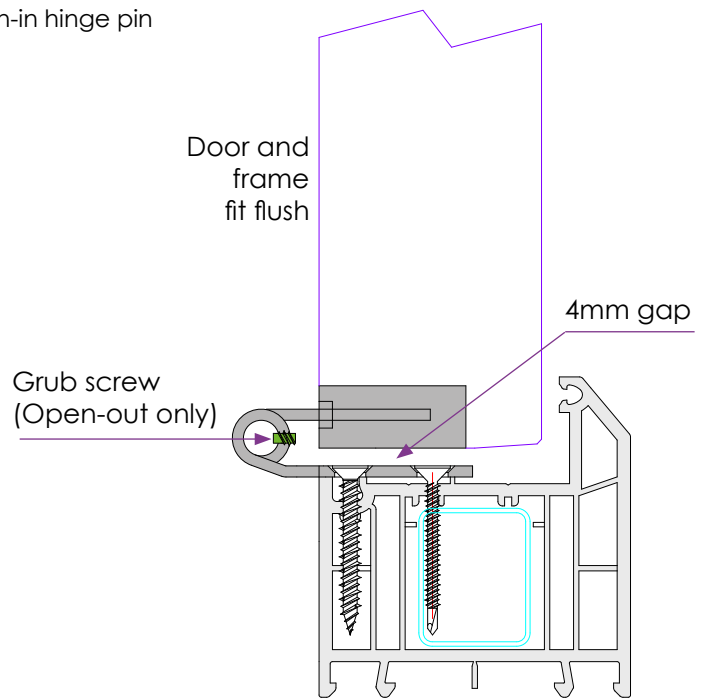
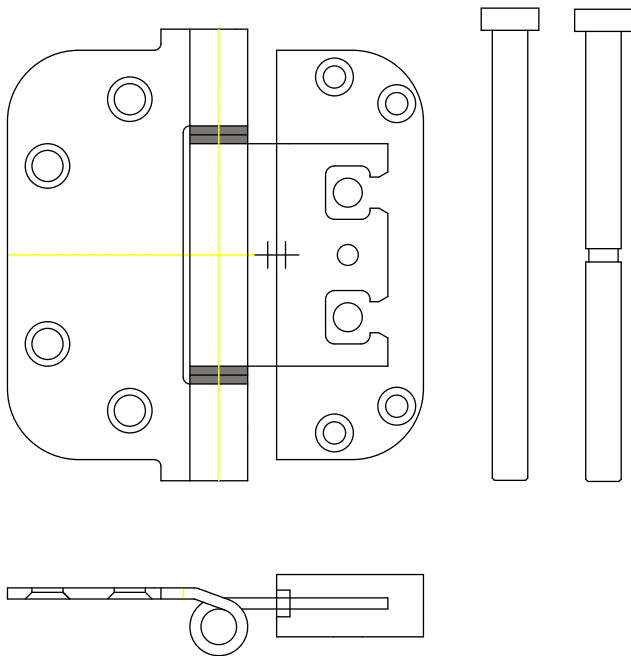
Up/Down +/-3mm

In/Out +/-2mm

Left/Right +/-2mm



Open-in hinge pin Open-in hinge pin

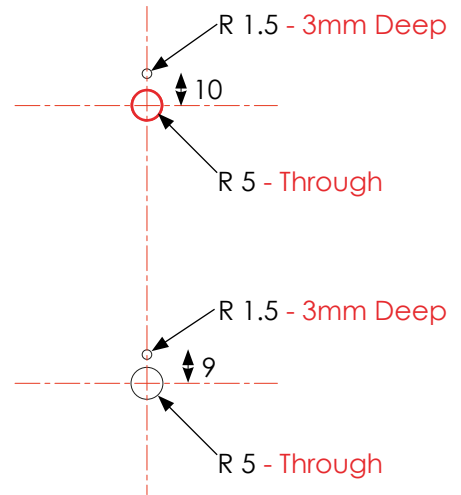
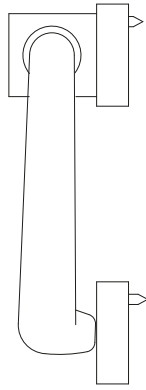
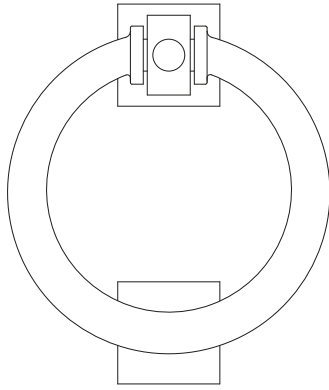


Open-out Doors

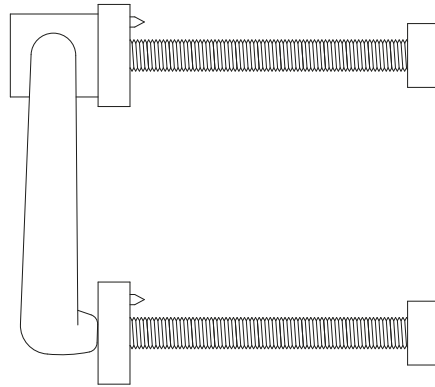
Open-out doors are fitted with concealed grub screws. The grub screws engage into a groove in the hinge pin; this stops the hinge pin from being removed. The grub screws are only accessible when the door is in the open position.

Bull Ring Knocker

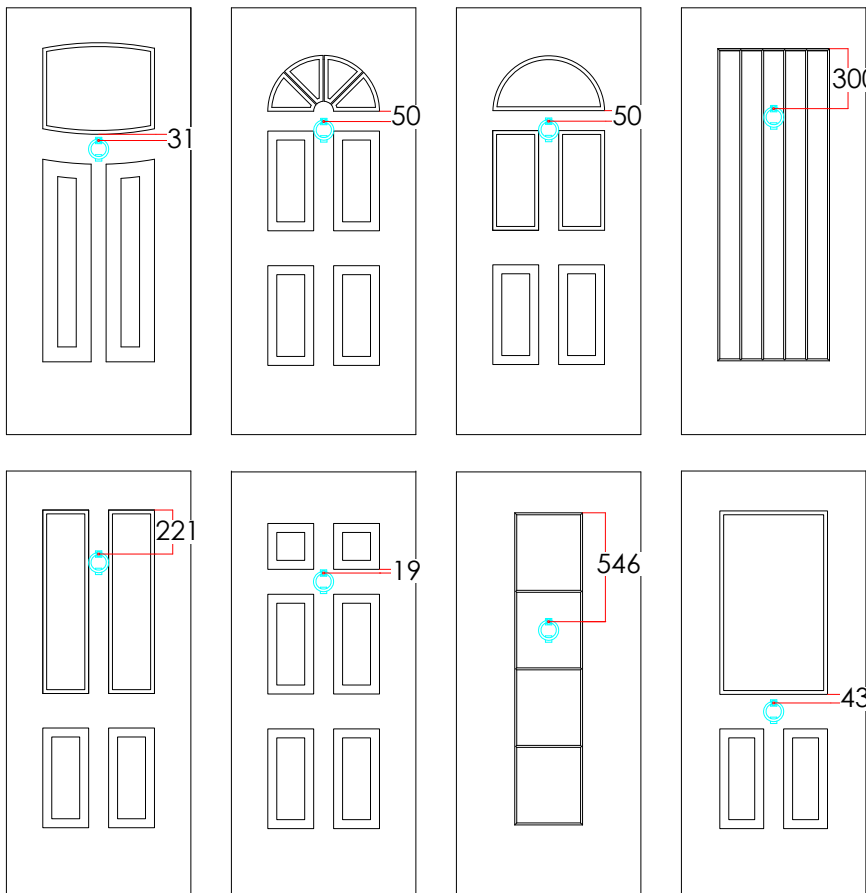
Stainless Steel Bull Ring Knocker



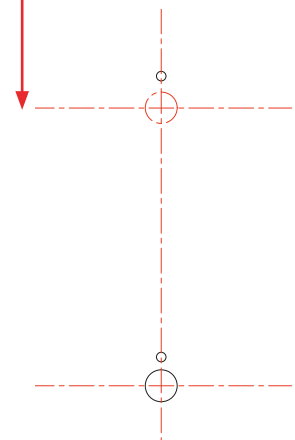
Bolt through fixing



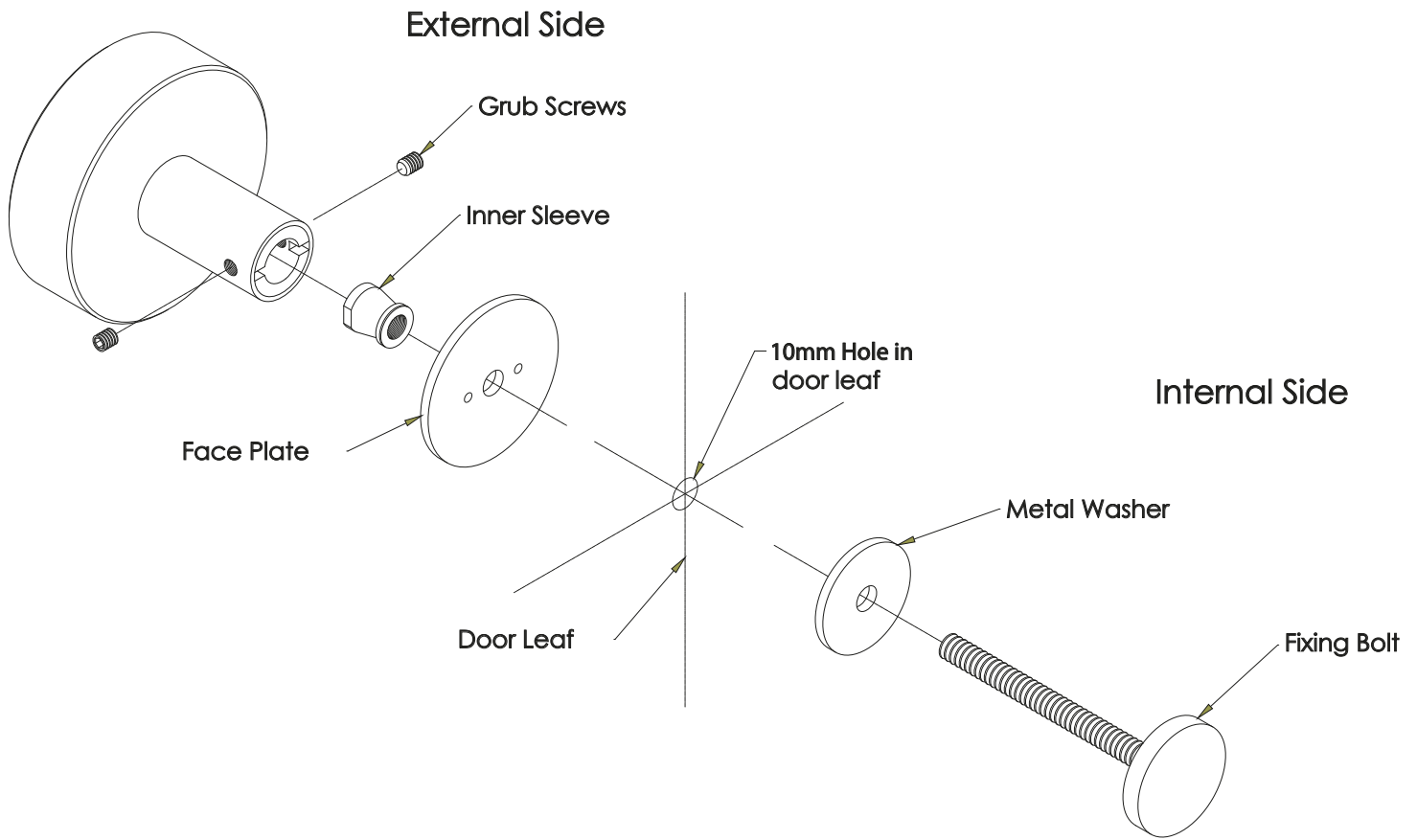
Fitting Positions



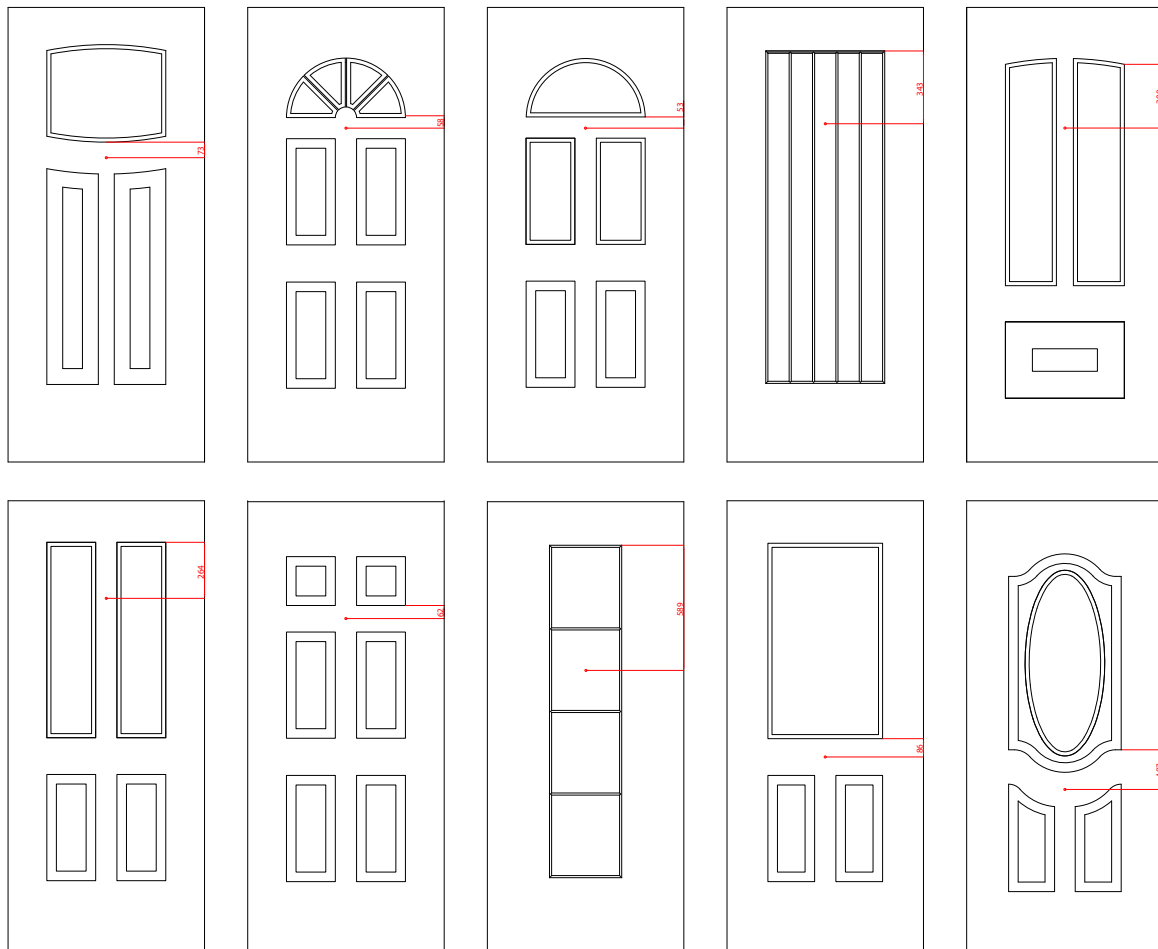
All measurements are taken from the moulding to the centre line of the top hole.



Stainless Steel Knob



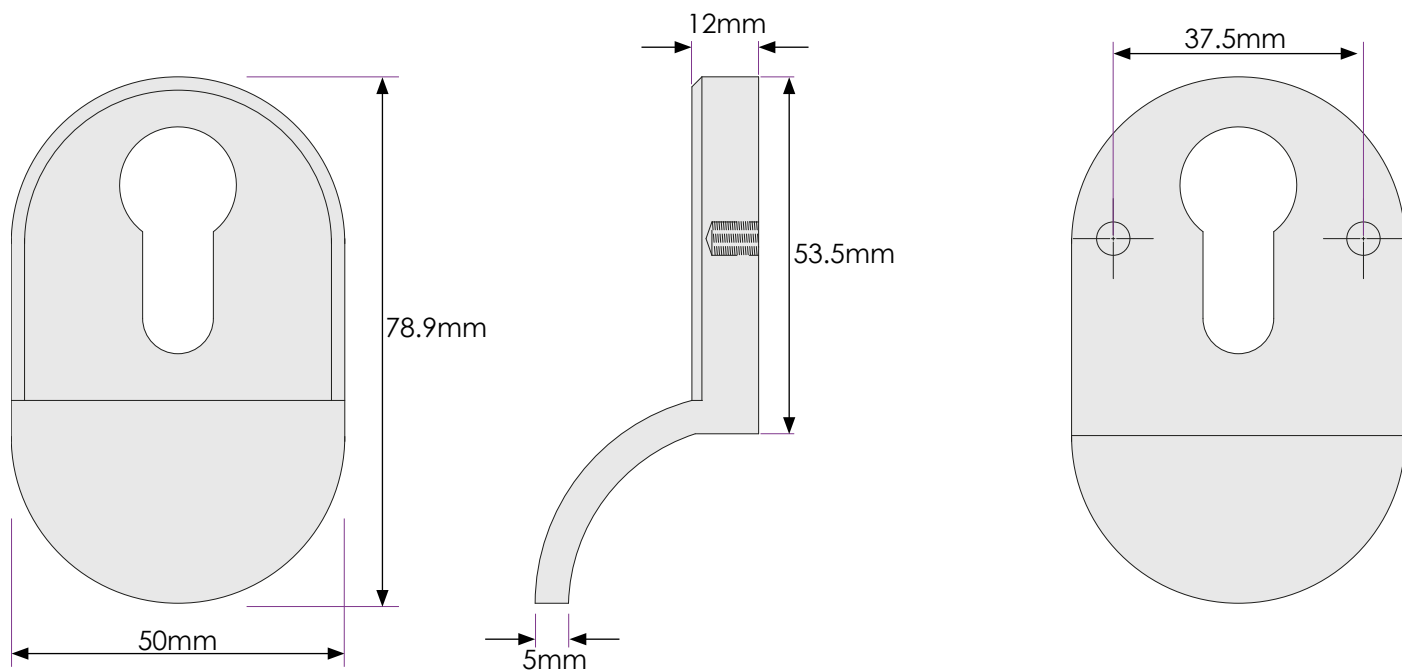
Fitting Positions 10mm Diameter Hole



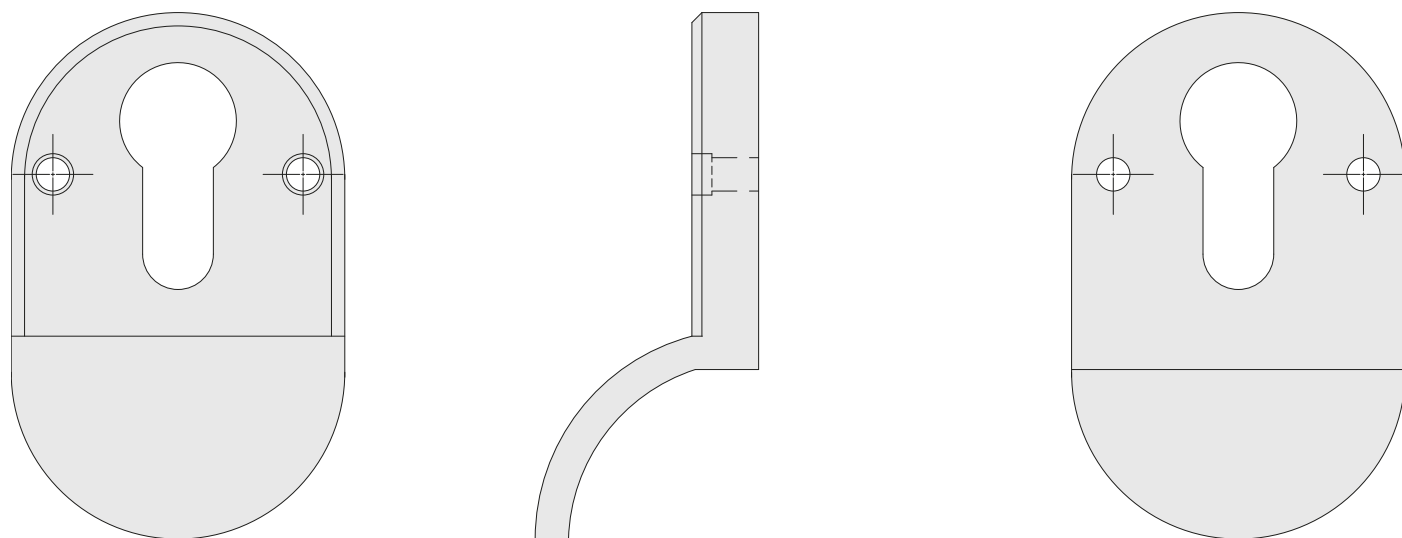


Stainless Steel Door Pull

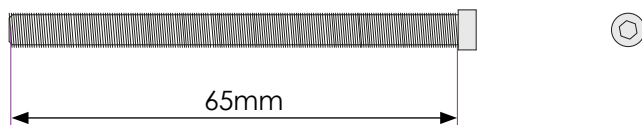
External



Internal



Hex Socket Cap Fixings x 2





Magnetic Cat Flap Available in White and Brown

Magnetic Lock

The magnetic operation requires no batteries the cat simply wears a collar key which is then used to open the locking mechanism of the cat door. Although not 100% secure (no cat flap is) this does help to keep out unwanted strays and other small animals.

4-way Locking

The 4-way latch offers the ultimate in flexibility. Set the cat flap to open, closed, in only or out only.



Manual Cat Flap Available in White and Brown

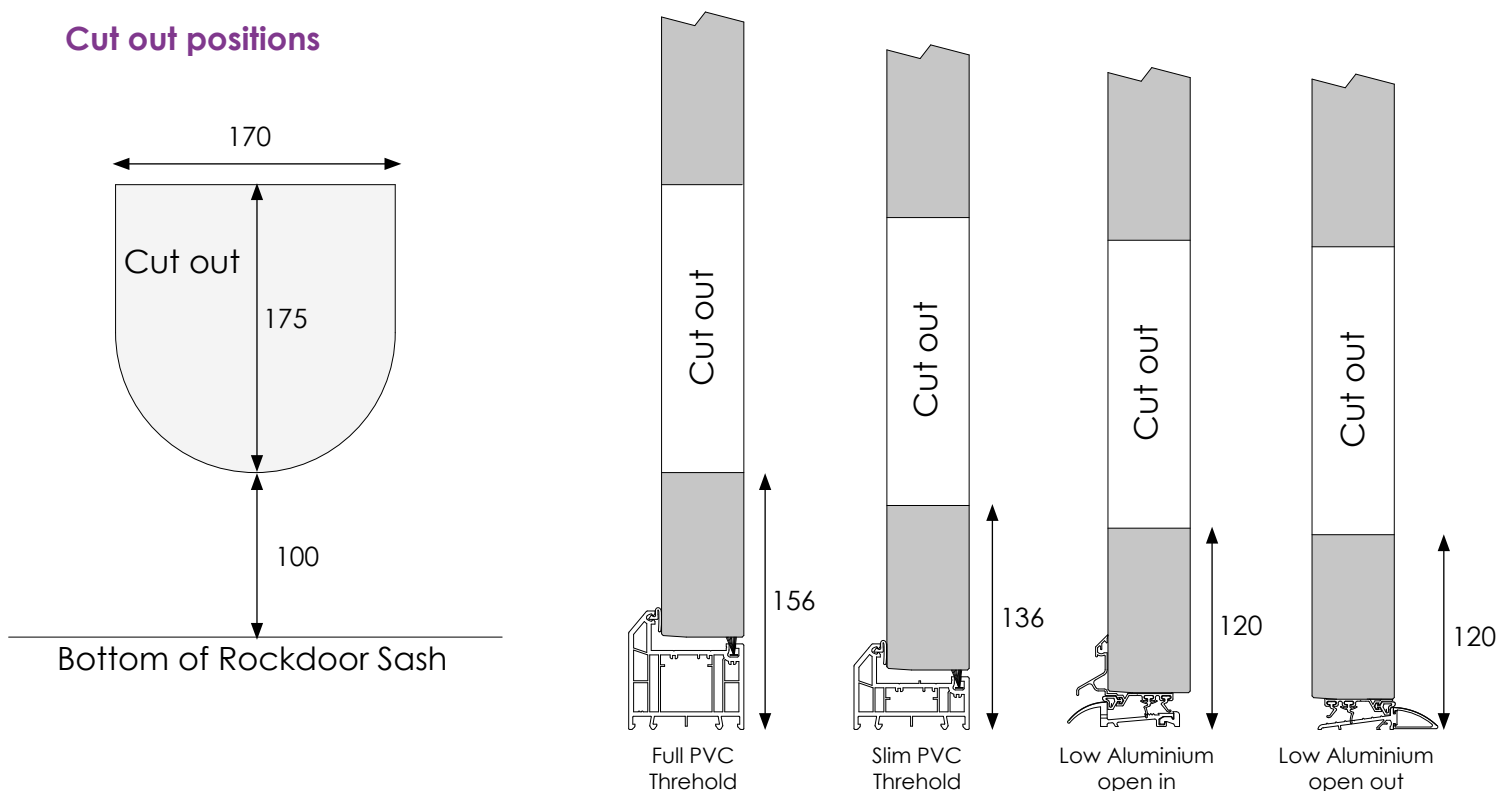
4-way Locking

The 4-way latch offers the ultimate in flexibility. Set the cat flap to open, closed, in only or out only.

Door Styles available with a cat flap:

- Aspen
- Stable spy view
- Stable view light
- Cottage spy view
- Cottage view light
- T & G 5
- Indiana
- Dakota

Cut out positions



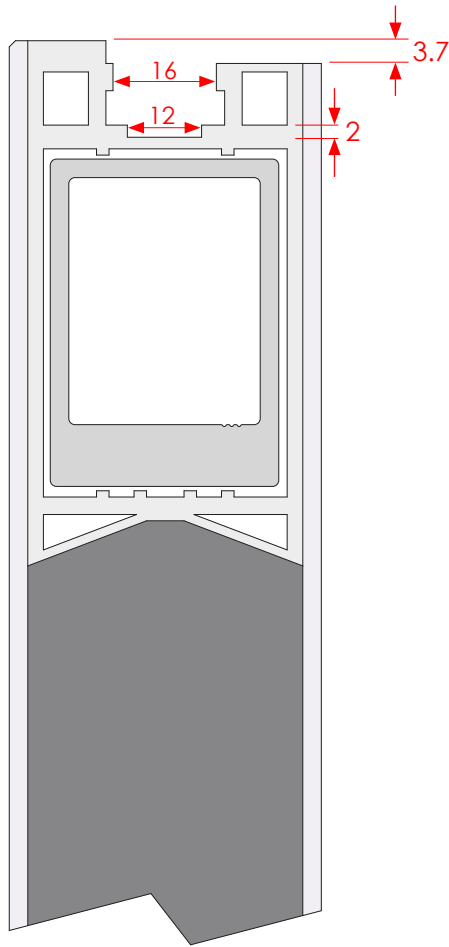
AV-SLDR-A Open Out Restrictor

Door restrictors are designed to provide adjustable limitation to the door movement and allow an opening aperture of maximum 90°.

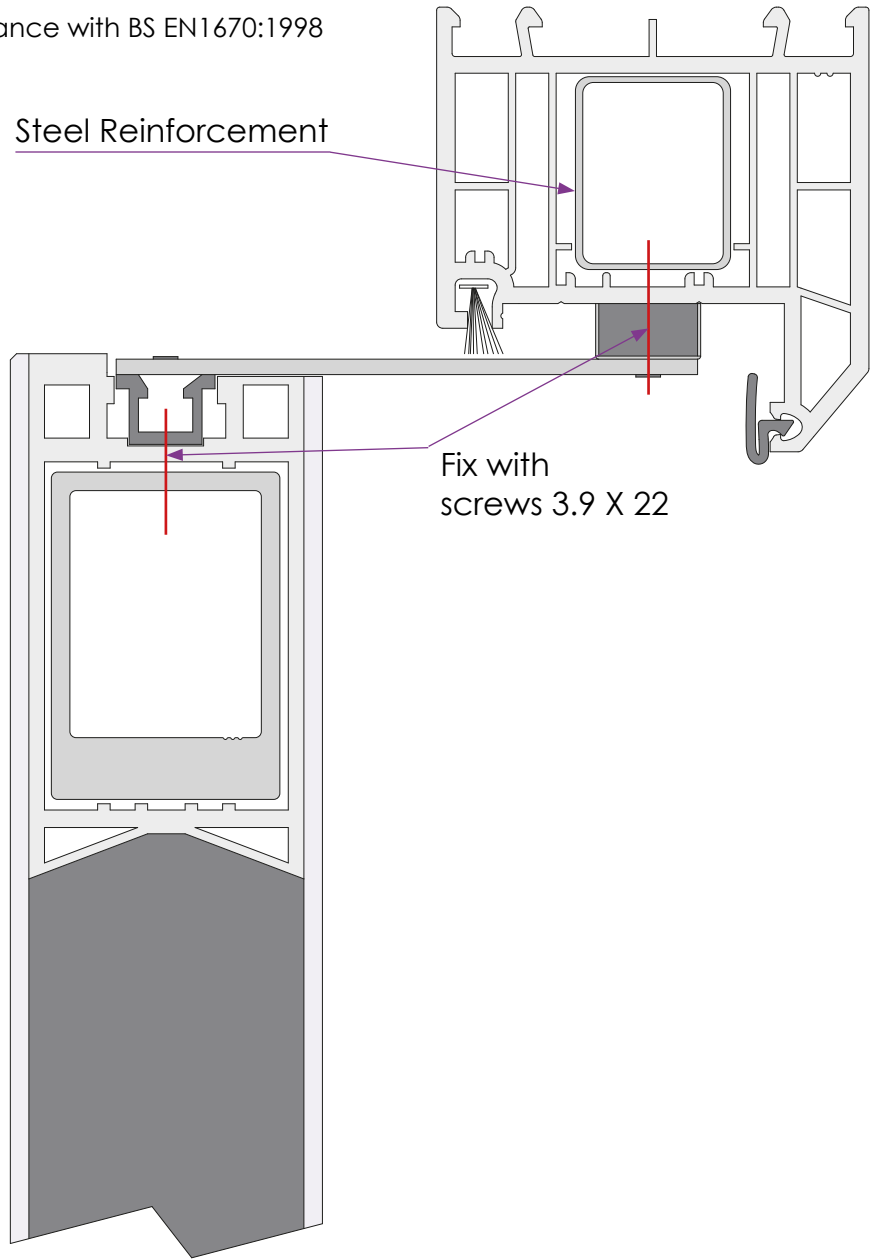
Features and Specifications:

- Tested to 100,000 cycles
- Corrosion resistance Grade 4 in accordance with BS EN1670:1998

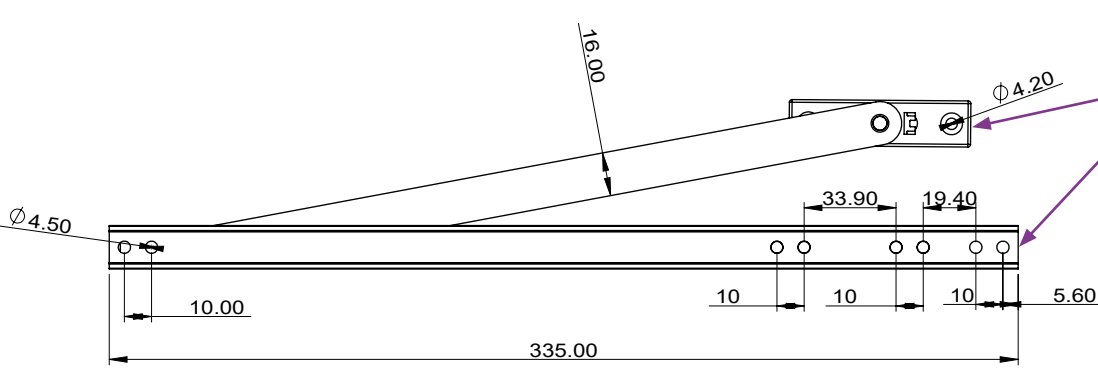
Top edge of door machined off 3.7mm to allow for the restrictor arm.



Steel Reinforcement



Installed 100mm in from the corner of the frame on the hinge side.

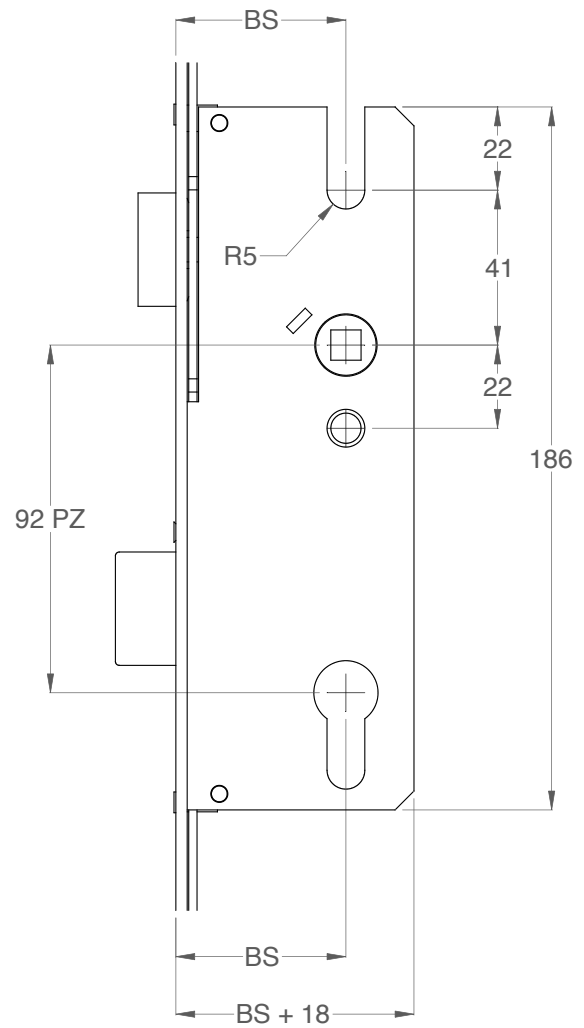
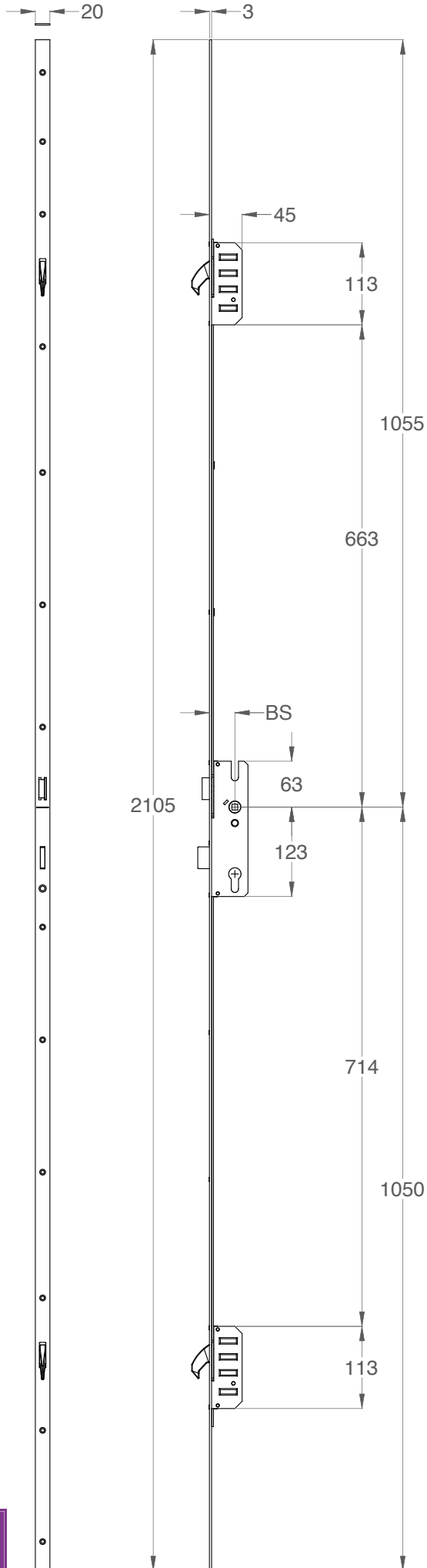




Furniture Colour Options

Polished chrome matches polished stainless
 Polished gold matches gold stainless
 Graphite matches brushed stainless

	Polished Chrome	Graphite	Polished Gold	Midnight Black	White	Wrought Iron	Brushed Stainless	Polished Stainless	Black PVD Stainless	Gold Stainless
Lever Handle	✓	✓	✓	✓	✓	✓				
Pad Handle	✓	✓	✓	✓	✓					
D Handle	✓	✓	✓							
Twist Lever Handle					✓					
Arched Lever Handle					✓					
European Rose Handle						✓				
Curved Rose Handle						✓				
Finger Pull						✓	✓	✓	✓	
Escutcheon	✓	✓	✓	✓		✓		✓		
Standard Letterplate	✓	✓	✓	✓	✓					
Stainless Letterplate						✓				
TS008 Letterplate (Matching)	✓	✓	✓	✓						
Sideframe Letterplate (Black outer)	✓	✓	✓	✓	✓					
Contemporary Letterplate						✓	✓	✓	✓	
Victorian Centre Knob	✓	✓	✓							
Urn Knocker	✓	✓	✓	✓						
Spy View	✓	✓	✓							
Architectural Knocker	✓	✓	✓	✓						
Numerals	✓	✓	✓	✓						
Contemporary Numerals						✓				
Bull Ring Knocker						✓	✓	✓	✓	
Square Centre Knob						✓				
Round Bar Handle 600 900 1200						✓				
Offset Round Bar Handle 1200						✓				
Square Bar Handle 1200						✓				
Square Bar Handle 900						✓		✓		
Offset Square Bar Handle 1200						✓				
Mitred Bar Handle 900						✓				
Yale Latch	✓	✓	✓							
Yale Finger Pull	✓	✓	✓							
Slide Bolt	✓	✓	✓							
Door Chain	✓	✓	✓							
Hinges		✓	✓	✓	✓					
Cylinder		✓	✓							
Cylinder with thumbturn		✓	✓							



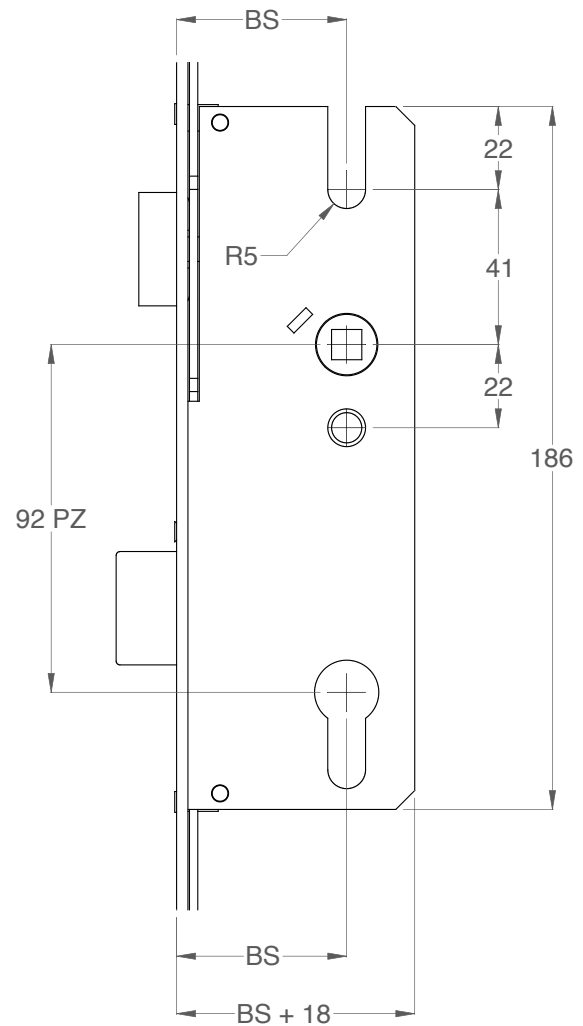
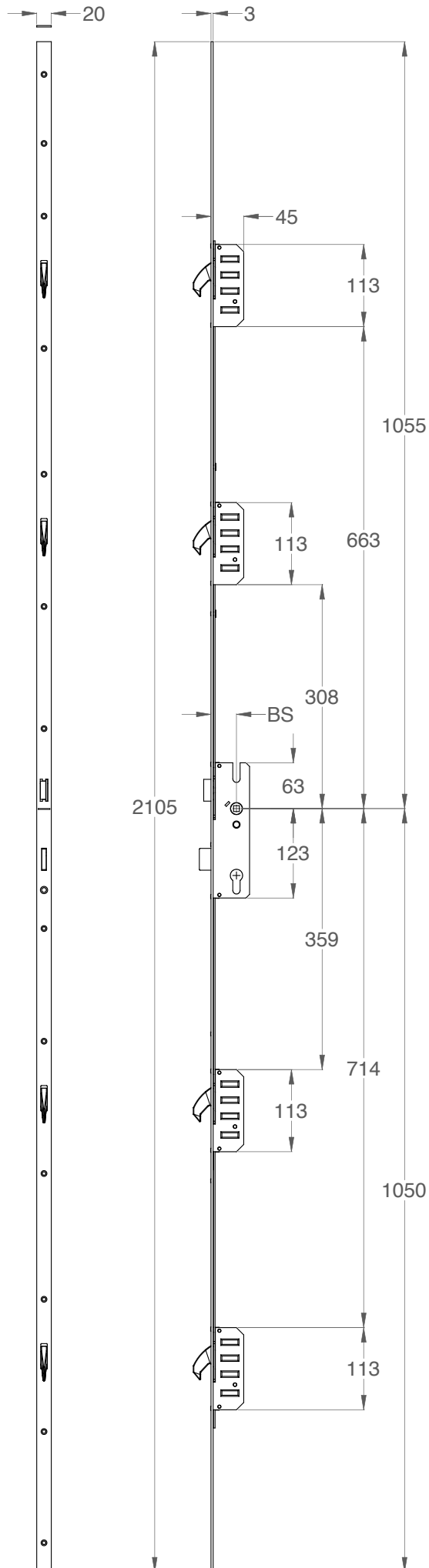
Drawing Description:

Dimensional Details Of Winkhaus' Standard STV Two Hook Residential Multi-point Door-lock System on a F20 rail.



4 Hook Lock

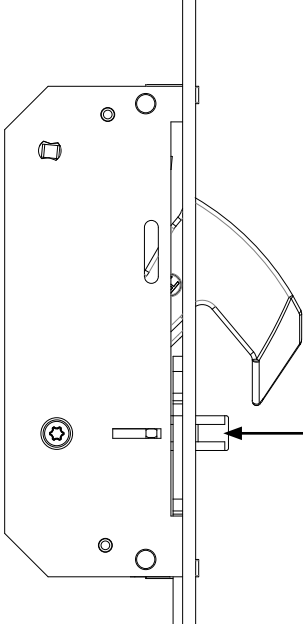
STV-FG 2060 M4



Drawing Description:

Dimensional Details Of Winkhaus' Standard STV Four Hook Residential Multi-point Door-lock System on a F20 rail.





When the door closes this pin is pushed back which throws the hooks out instantly securing the door from the outside.

AV2 with Lever/ Fixed D Handle

Locking from the inside

- Closing the door automatically throws the top and bottom hooks making the door instantly weathered and secure from the outside.
- The handle can still be operated from the inside for instant exit.
- Insert the key and rotate one revolution to deadlock the door. This throws the central deadbolt and blocks the handle from operating. The door is now fully weathered and secure.

Unlocking from the inside

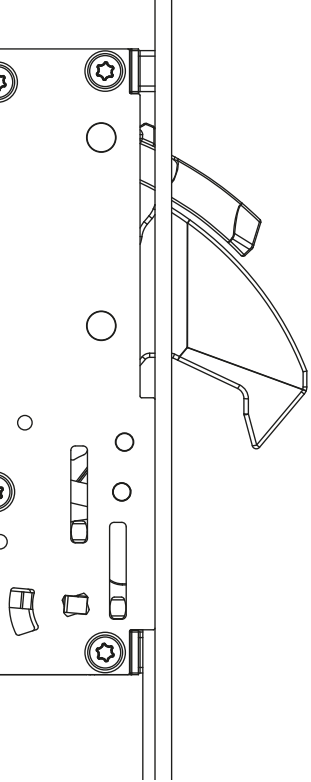
- Insert the key and rotate one revolution. This retracts the central deadbolt and allows the handle to be operated. The door remains weathered and secure from the outside.
- Depress the handle to retract the top and bottom hooks and open the door.

Locking from the outside

- Closing the door automatically throws the top and bottom hooks making the door instantly weathered and secure.
- Insert the key and rotate one revolution to deadlock the door. This throws the central deadbolt and blocks the internal handle from operating. The door is now fully weathered and secure.

Unlocking from the outside

- Insert the key and rotate one revolution. This retracts the deadbolt.
- Turn the key a further 45 degrees to retract the top and bottom hooks and open the door.



Instant Lock Heritage Plus

Cylinder Height centre is 1395mm from the bottom of the door sach.

Instant Locking

The Heritage plus system is an instant multi-point locking system with independently acting hooks for claw action and sealing elements for a dynamic contact pressure. By pulling the door closed, the sealing elements and the hook are triggered by means of a magnetic release on the frame and the door is secured against undesired entry. This ensures that the door always remains securely locked and remains firmly in its frame even without additional locking.

The hooks, sealing elements and latch can be retracted manually using the locking cylinder.

The frame-side magnetic release enables a defined triggering of the automatic locking. This reduces stress marks on the door frame and dampens the closing noise of the automatic locking system. With the opposed tracer pin, air gap tolerances can be bridged with this magnet technology.

Magnetic Switch Latch. (Different to standard switch latch)

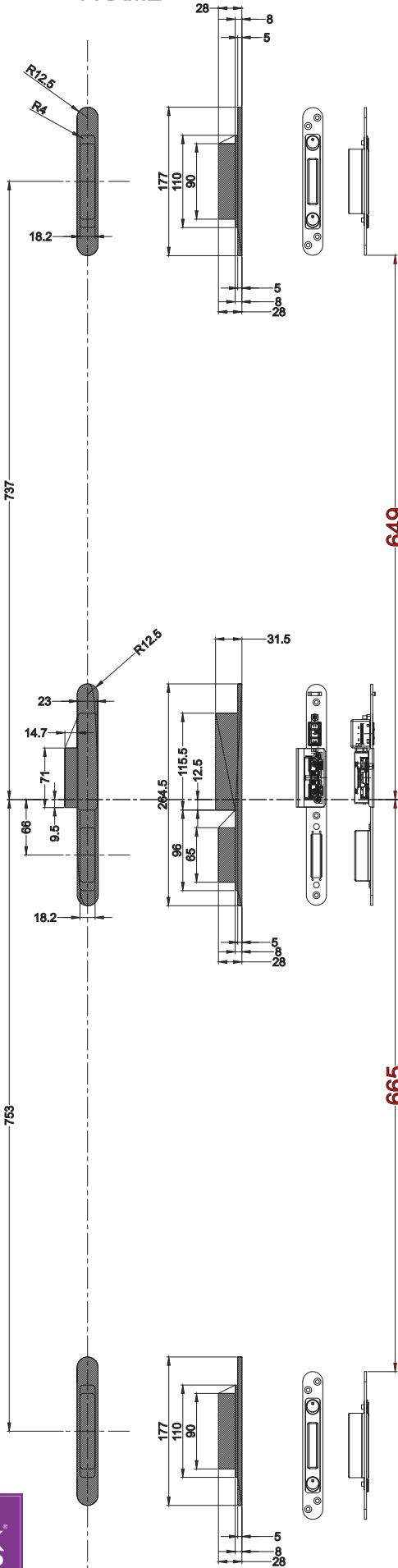
Daytime release using the magnetic switch latch simple single-handed operation.

When the **Switch Latch** is in the **UP** position a key is required to gain entry to the property. Don't get caught out and **lock yourself out**.

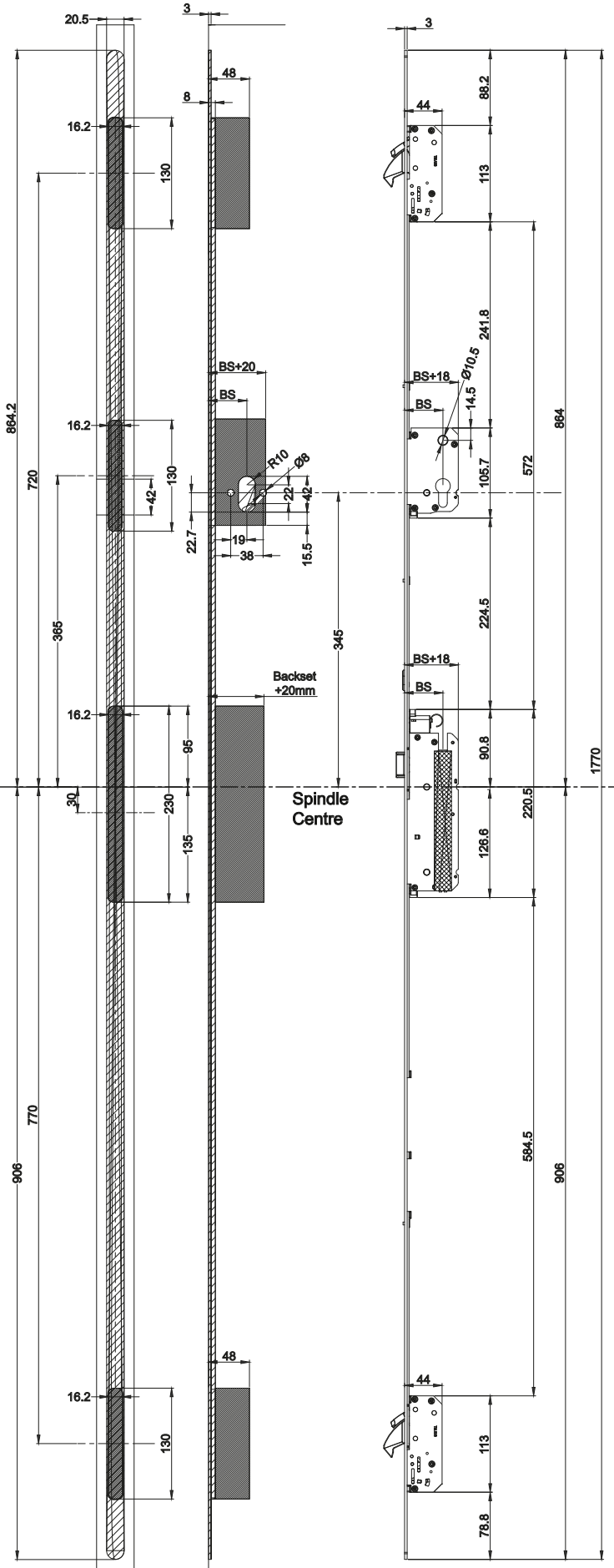
When the **Switch Latch** is in the **DOWN** position no key is required allowing you to gain entry to the property and the door can **open or close freely**.

Routing details for Instant Lock Heritage plus

FRAME



SASH





Up Position

When the **Switch Latch** is in the **UP** position a key is required to gain entry to the property. Don't get caught out and **lock yourself out**.

For total security, the key or thumbturn still needs fully engaging to ensure the hook locks are secured in place.



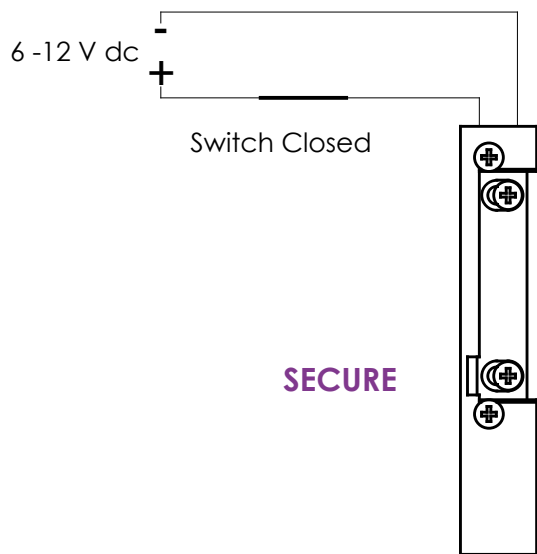
Down Position

When the **Switch Latch** is in the **DOWN** position no key is required allowing you to gain entry to the property and the door can **open or close freely**.

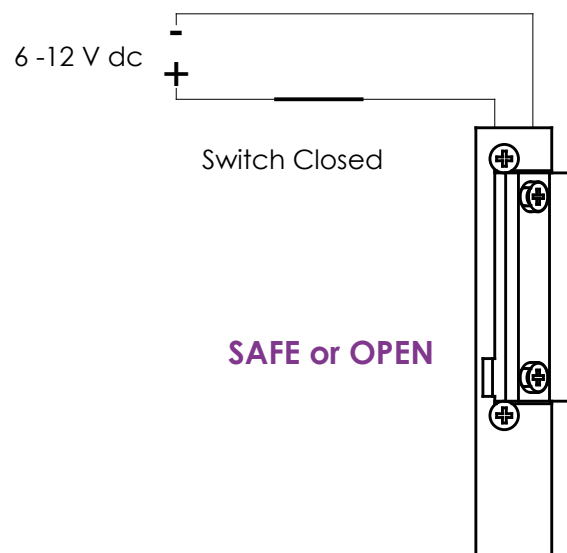
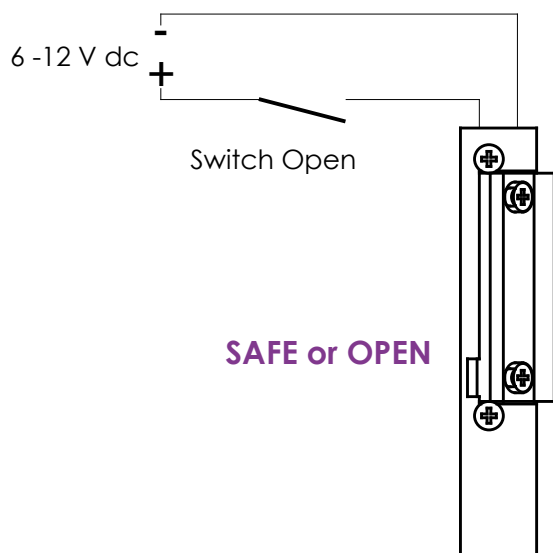
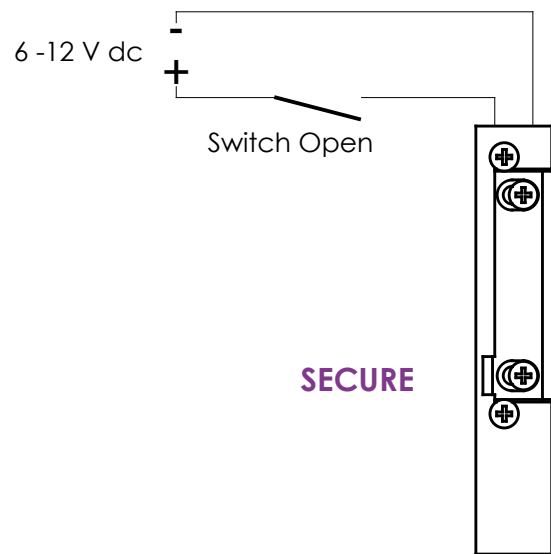
For total security, the key or thumbturn still needs fully engaging to ensure the hook locks are secured in place.

Electric Latch Release

Fail **SAFE** Electric Latch Release (no power)



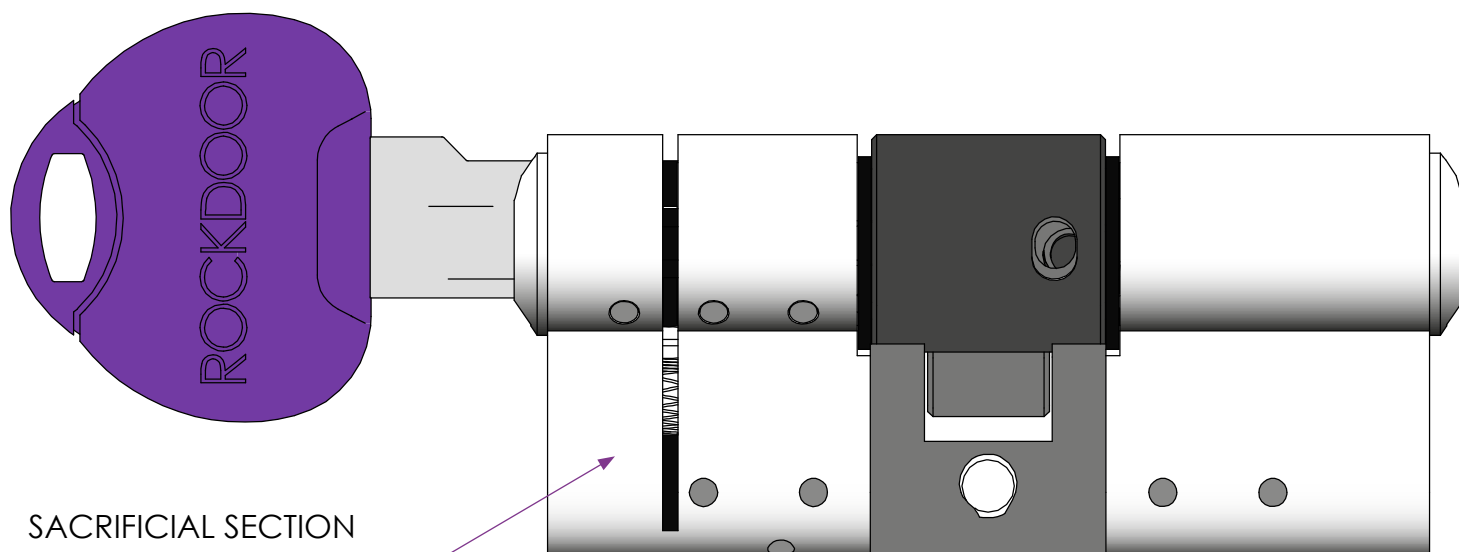
Fail **SECURE** Electric Latch Release (no power)



Technical Details (for Both Options)

Handing	Universal
potential	12 V DC
Adjustable latch (FF, FaFix®)	Yes
Fail-unlocked	Yes
Rated operating voltage tolerance range	± 1 V
Rated resistance	60 Ohm
Current consumption DC (50% Residual ripple)	225 mA
Current consumption DC (stabilised)	200 mA
Break-in resistance	3000 N
Height	90 mm
Width	16 mm
Operating temperature range	-15 °C to +40 °C
Max. keeper pre-load DC (50% residual ripple)	10 N
Max. latch preload DC (stabilised)	10 N
Depth	28 mm
Material housing	Zinc die-cast
Latch material	Zinc die-cast
Material surface-mounted attachment	MESSING

3 Star Cylinder



The cylinder must be installed with the sacrificial section to the external of the property.

FEATURES:

SS312 Solid Secure Diamond Grade

3 Star British Kitemark - TS007:2014 (KM 586153)

Secured by Design Accredited (Police preferred specification)

Patented Snap Secure Technology

Pick, Drill & Bump Resistant

6 Trap Pins for advance pick resistance

10 Anti-drill pins

Three Rockdoor branded keys per cylinder

Keyed alike key/key pairs are available ex stock

Size 40mm/40mm

The key must be removed from the cylinder for the full security features to be enabled.



Cylinder Installation

1

Insert the cylinder the side marked with EXT should be to the external face.

2

Insert fixing screw. The cylinder should be loose enough to ensure easy fitment of the handle.

3

The cylinder must be at 90 degrees to the door.

4

Insert the spindle and attach the handles with the fixing screws.

5

Nip tight the cylinder fixing screw with a hand screwdriver. Check the lock works correctly.

Emergency Exit Door

Rockdoors emergency exit door is customised with a hardware solution that allows the door to be opened quickly and easily in a 'panic' situation. This includes typical emergency exits used in public places such as shopping centres, schools, cinemas and commercial use buildings.



External Operation

Lock: To lock the door from the outside, the key provided must be used to wind out the bolts into position. If the door is locked from the inside the external handle will not open the door.

Unlock: To open the door from the outside, use a key to unwind the bolts and then open the door using the external lever handle.



Internal Operation

Lock: To lock the door from the inside, use the thumbturn to wind out the bolts.

Unlock: To open the door from the inside, push firmly down on the push bar which will instantly retract the locks and allow the door to open freely. This will open the door regardless of whether the door has been left in the locked or unlocked position.

High Security, Quick Escape

Our emergency exit door ensures buildings can remain extremely secure, whilst providing a quick and safe method of exit to members of the public.

When to use Emergency Exit Doors

In accordance with EN1125, Rockdoor emergency exit doors should be used as a single door set that members of the public will have access to. The high concentration of people makes 'panic' situations more likely in public buildings. The occupants will not necessarily be familiar with the locations of the emergency exits, or how to open them. They therefore need to be able to open the doors intuitively using the horizontal push bar.

Rockdoor emergency exit doors, in accordance with EN 1125, are always outward-opening doors. All emergency exit doors must bear the CE mark.

Door Specification:

1. Door styles

All door styles except stable doors and double doors.

2. Glazing

P1A compliant glass (6.8mm Laminated)

3. Outer frame

72mm Rehau Outer frame

4. Reinforcing

Security Mesh

5. Handle

Standard lever/lever handle or Bar Handle

6. Hinges

Standard 3D Rockdoor hinge

7. Lock

Winkhaus 2 hook lock

8. Cylinder

Standard Rockdoor 3 star cylinder

9. Keeps

Standard Rockdoor full length keeps

10. Threshold

Aluminium low threshold

11. Letterplate

Must be TS008 compliant

Methods of test.

1. Operating Forces

The operating forces acting on the sample were determined by the methods given in BS EN 12046-2:2000.

2. Air Permeability

The air permeability of the sample was determined by the method given in BS 6375-1:2015.

3. Watertightness

The watertightness of the sample was determined by the method given in BS 6375-1:2015.

4. Wind Resistance

The wind resistance of the samples was determined by the methods (P1 and P2) given in BS 6375-1:2015.

5. Repeat Tests

After testing for resistance to wind loading (P1 and P2) the air permeability test was repeated.

6. Wind Resistance

The wind resistance of the samples was determined by the method (P3) given in BS 6375-1:2015.

7. Resistance to Vertical Loads

The resistance to vertical loads test was carried out using the method given in BS EN 947:1999.

8. Resistance to Static Torsion

The resistance to static torsion test was carried out using the method given in BS EN 948:1999.

9. Soft and Heavy Body Impact

The resistance to soft and heavy body impact was carried out using the method given in BS EN 949:1999.

10. Hard Body Impact

The resistance to hard body impact was carried out using the method given in BS EN 950:1999.

Results of test.

1. Air Permeability

The test sample met the requirements of the Specification, in respect of Clause 6, for Test Pressure **Class 4**.

2. Watertightness

The test sample met the requirements of the Specification, in respect of Clause 7, for Test Pressure **Class 3A**

3. Wind Resistance

The test sample met the requirements of the Specification, in respect of BS6375-2:2009, for Exposure Category **C3 (1200Pa)**.

4. Operational Strength

The test sample **met the requirements** of the Specification in respect of BS6375-2:2009.

5. Basic Security

The test sample **met the requirements** of the Specification in respect of BS6375-3:2009.

Secured by Design (SBD) is the official police security initiative that works to improve the security of buildings and their immediate surroundings to provide safe places to live.

For Rockdoor to meet the specification they should be fitted with:

- 1 P1A Compliant glass (6.8mm laminated)**
- 2 Security mesh.**
- 3 Letterplates must conform to requirements of TS008.**



For solid door styles with no glass, please refer to the Clear Backing glass section for the doors energy rating

Door Style

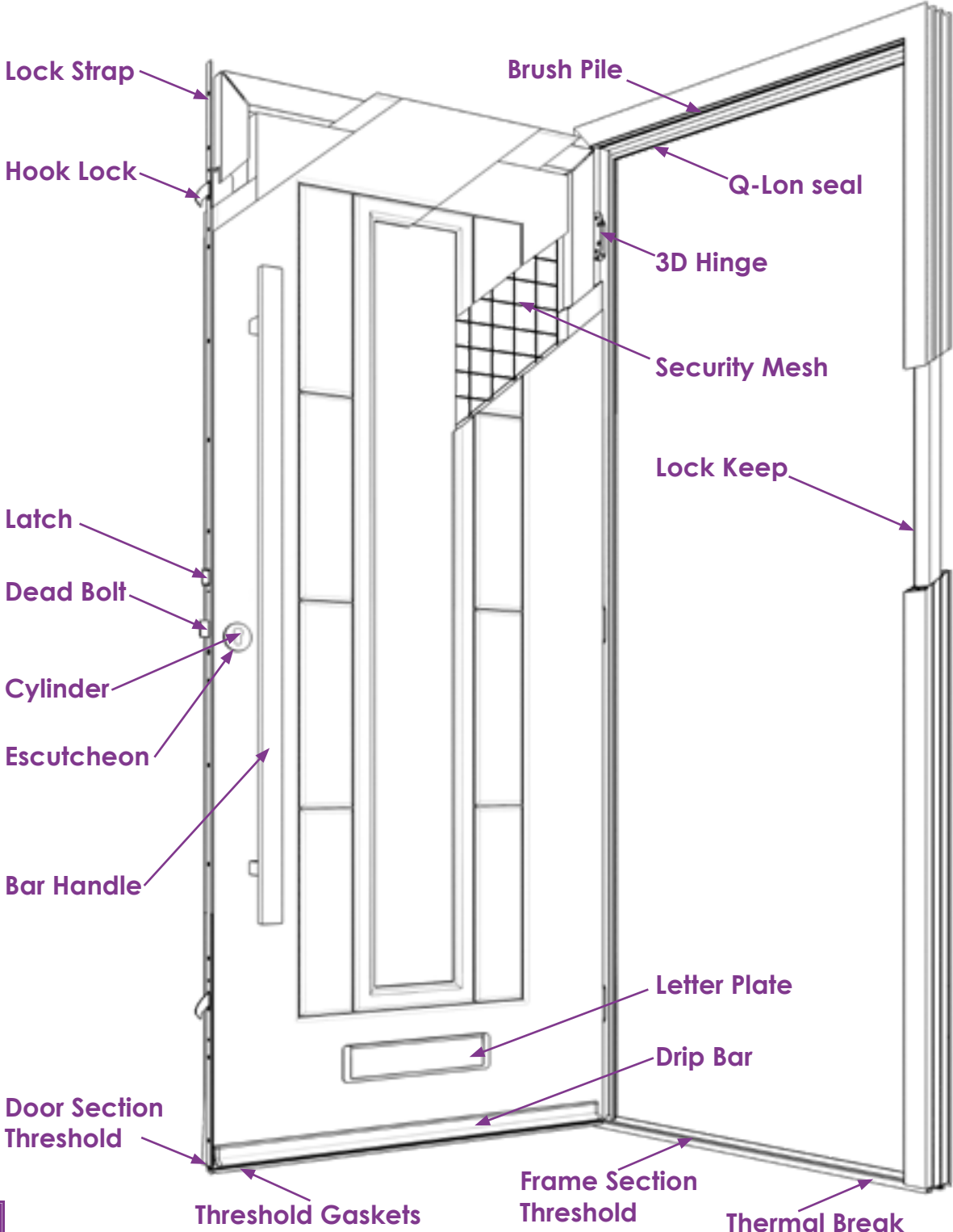
	CLEAR BACKING GLASS				OBSCURE BACKING GLASS			
	72mm threshold	52mm threshold	Ali threshold open out	Ali threshold open in	72mm threshold	52mm threshold	Ali threshold open out	Ali threshold open in
Arcacia	A	A	A	A	A	A	A	A
Campus	A	A	A	A	A	A	A	A
Carolina	A	A	A	A	A	A	A	A
Classic	B	B	B	B	B	B	B	B
Colonial	A	A	A	A				
Cottage spy view	A	A	A	A	A	A	A	A
Cottage view light	A	A	A	A	A	A	A	A
Dakota	A	A	A	A				
Diamond	A	A	A	A	A	A	A	A
Dune Retreat	A	A	A	A	A	A	A	A
Dune Vision	B	B	B	B	B	B	B	B
English cottage	A	A	A	A	A	A	A	A
Georgia	B	B	B	B	B	B	B	B
Illinois	B	B	B	B	B	B	B	B
Indiana	A	A	A	A				
Jacobean	B	B	B	B	B	B	B	B
Kentucky	B	B	B	B	B	B	B	B
Manhattan	A	A	A	A	A	A	A	A
Montana	A	A	A	A	A	A	A	A
Newark	A	A	A	A	A	A	A	A
Portland	B	B	B	B	B	B	B	B
Philadelphia	A	A	A	A	A	A	A	A
Regency	A	A	A	A	A	A	A	A
Stable diamond view	B	B	B	B	B	B	B	B
Stable spy view	B	B	B	B	B	B	B	B
Stable view light	B	B	B	B	B	B	B	B
Tennessee	B	B	B	B	B	B	B	B
Tongue and groove 5	A	A	A	A	A	A	A	A
Vermont	A	A	A	A	A	A	A	A
Virginia	B	B	B	B	B	B	B	B
Vogue	B	B	B	B	B	B	B	B
Windsor	B	B	B	B	B	B	B	B

Replacement Parts

To ensure you receive the correct replacement part, you firstly need to find the Rockdoor production number of the door that requires parts. This can be found on the hinge side of the inner frame and is a 6 or 7 digit reference number. Contact can then be made to GAP's customer service team (customerservice@gap.uk.com) who can help you.

Our team can then use our systems to find the correct part for the door and arrange for its delivery to the depot.

With lots of parts used to construct the door, it's useful to make sure we have the correct part, so please refer to the illustration below.





The Original **Composite Door**.

Rockdoor must be installed in-line with the five star installation guide. ★★★★★