



OB-36⁺ Contemporary External Door

Specification Guide

Specification Overview



Specification Overview | Internal & External View

OB-36+ Internal View (open out)



OB-36+ External View (open out)



Specification Overview | Profile Specification & Features

Profile Specification	OB-36 ⁺
Frame Depth	82mm
Hinge Jamb	53mm
Sash Depth	74mm
Sash Width	36mm
Hingestile Glass-to-Glass Sightline	84mm
Track Height (not including rebate)	56mm
Weathered Threshold Height	69mm
Low Threshold Height	30mm
Glazing Options	28, 28.8, 44 and 46.8 mm

Features

- Integral glazing divides
- Up to a 20-year guarantee on parts*
- 3-star diamond cylinder as standard for PAS 24 (half-standard and thumbturn also available)
- The bottom running doors incorporate a unique free glide carriage assembly, using acetal rollers with sealed stainless steel bearings on an 8mm hardened stainless steel axle
- Square bead internally
- Square rebate externally
- Packaged in kit form for easy transportation and installation
- 8-point locking system and includes chamfered 20mm linear bolts and deep throw 25mm security hooks
- Thumbturn option available
- Each door comes with 2-5 solid zinc hinges depending on height

**Guarantee based on installation location.*

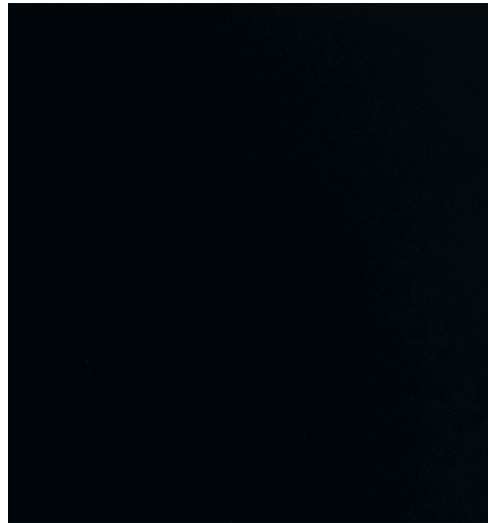
Visit origin-global.com for Terms and Conditions.

Specification Overview | Colour

The OB-36+ is available in the following popular colours, along with Hipca White - 9910M, and in over 150 special RAL colours.



Anthracite - 7016M



Jet Black - 9005M



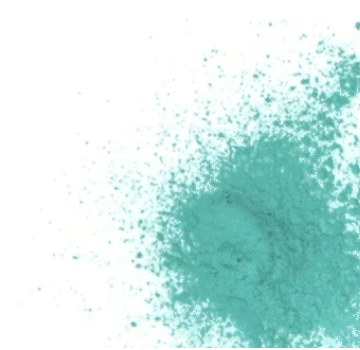
Textured Black - 9005T

Lead Time

Popular colours: 5-working days

Special colours: 20-working days

Visit origin-global.com for up-to-date lead times.



Specification Overview | Options & Extras

Options and extras

- Bi-fold, Single and French door
- Accommodates double and triple glazing, with unit sizes of 28, 28.8, 44 and 46.8mm
- Weathered and low thresholds are available
- Open-in or open-out options
- Cill options available: 95mm, 155mm, 180mm and 225mm
- Gasket colours: black, white, light grey, graphite grey
- Signature Knurled Handle Collection in six metallic finishes
- Stainless-steel or colour-coded running gear
- Hinge colours: black, white, stainless steel finish or colour-coded
- Door-to-window coupling available
- 4000EA and 5000EA trickle vents available
- Marine finish option



Specification Overview | Product Size Limitations

Size Limitations	OB-36 ⁺
Min. Set Height	1,974mm (Sash 1,850mm)
Max. Set Height	2,500mm (Sash 2,376mm)
Min. Sash Width	600mm
Max. Sash Width	1,200mm
Max. N ^o . Sashes	6
Max Set Width (without connectors)	6,000mm
Glazing Options	28, 28.8, 44 and 46.8 mm
Min. N ^o . Glass Divides	0
Max. N ^o . Glass Divides	4

Specification Overview | Options & Features

Options			
Bead Aesthetic	Square		
Concealed Drainage*	155mm cill	180mm cill	
Door Restrictors	90°	135°	
Flat Trim	25mm	31mm	50mm
Low Track (non-bi-folding configurations only)			
Profile Colour	Gasket Colour	Drainage Cap Colour	
Anthracite - 7016M	Anthracite Grey	Dark Grey	
Jet Black - 9005M	Black	Black	
Textured Black - 9005T	Black	Black	
Hipca White - 9910M	White	White	

**Only available with a cill*

Features

- Concealed Internal Running Gear
- Open In / Out
- All Cills (inc. Face Drainage)
- Door-to-Window T-Coupler
- Colour Coded Gaskets
- Keyed Alike
- Thumbturn Cylinders
- Glazing Bars
- Fixing Kit
- Silicone
- Kickplate
- Track Connectors
- Fixed Sashes
- Trickle Vents

Specification Overview | Handles & Hardware

Handle		Colour				
Origin Contemporary 253/280	Black	Colour-coded	Stainless Steel	White		
Origin Signature Knurled (standard)	Antique Brass	Copper	Matt Black	Rose Gold	Satin Brass	Satin Stainless
Origin Escutcheon	Colour-coded to either the selected handle, or the profile.					
D-Handle	Black	Colour-Coded	Stainless Steel (effect only)	White		
Slave Handle	Black	Colour-Coded	Stainless Steel (effect only)	White		
Fork	Black	Colour-Coded	Stainless Steel (effect only)	White		
Hinge	Black	Colour-Coded	Stainless Steel (effect only)	White		
Magnetic Keeps	Black	Colour-Coded			White	
Trickle Vents	Black	Colour-Coded			White	

Specification Overview | Performance & Hardware

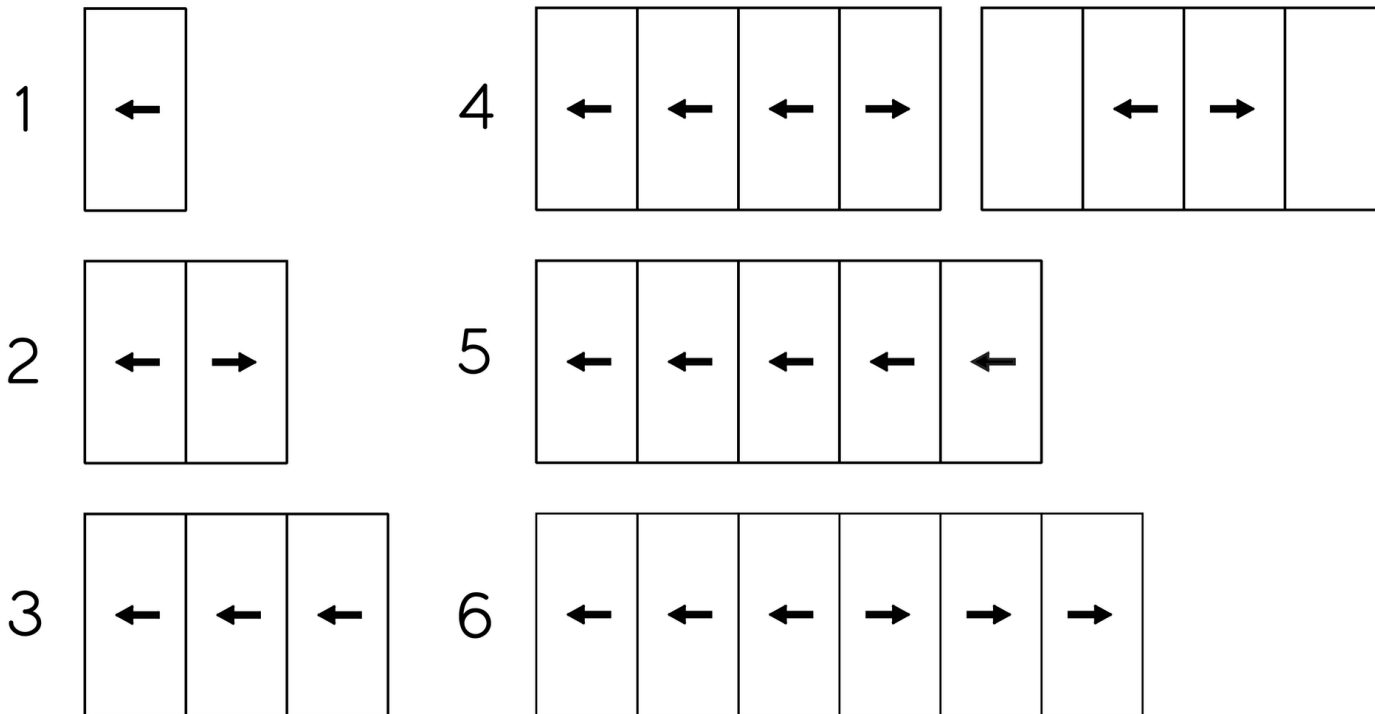
Hardware	Security Rating
Multi-point Lock & Keep (8-point)	PAS 24
Standard Barrel (Half, Thumbturn and Full 3-Star Thumbturn)	PAS 24
Slave Locking (Two Locking Points - Internal Only)	PAS 24
Slave Handle (Internal Only)	PAS 24
D-Handle (Internal Only)	N/A
Magnetic Keep	N/A
Door Restrictor (90° and 135°)	N/A
Trickle Vent - 4000EA / 5000EA (Installed into Frame)	N/A

Thermal Performance	
1.2 Centre Pane	1.4 W/m ² K
1.1 Centre Pane	1.3 W/m ² K
0.9 Centre Pane	1.1 W/m ² K
0.6 Centre Pane	0.9 W/m ² K
0.5 Centre Pane	0.8 W/m ² K

Performance	
PAS 24	2022
Air Permeability	Class 4
Water Tightness	Class 9A
Wind Loading	Class A2

Specification Overview | Configurations

Configurations





Handles

Handles

The Handle Collections

Sophisticated in design, the refined suite of handles have been engineered to instil confidence through its looks, touch and operation, and guarantees to draw you in from the very first interaction.

Our modern Contemporary External Door is configured with our Contemporary Stainless Steel handle as standard, which can also be ordered in a colour-coded RAL option. Alternatively, you can choose from our Signature Knurled Collection in six stunning colours.

Additionally, our Slave handles and D-handles are able to be specified in stainless steel or in a colour-coded RAL option.

Contemporary

Signature Knurled

D & Slave



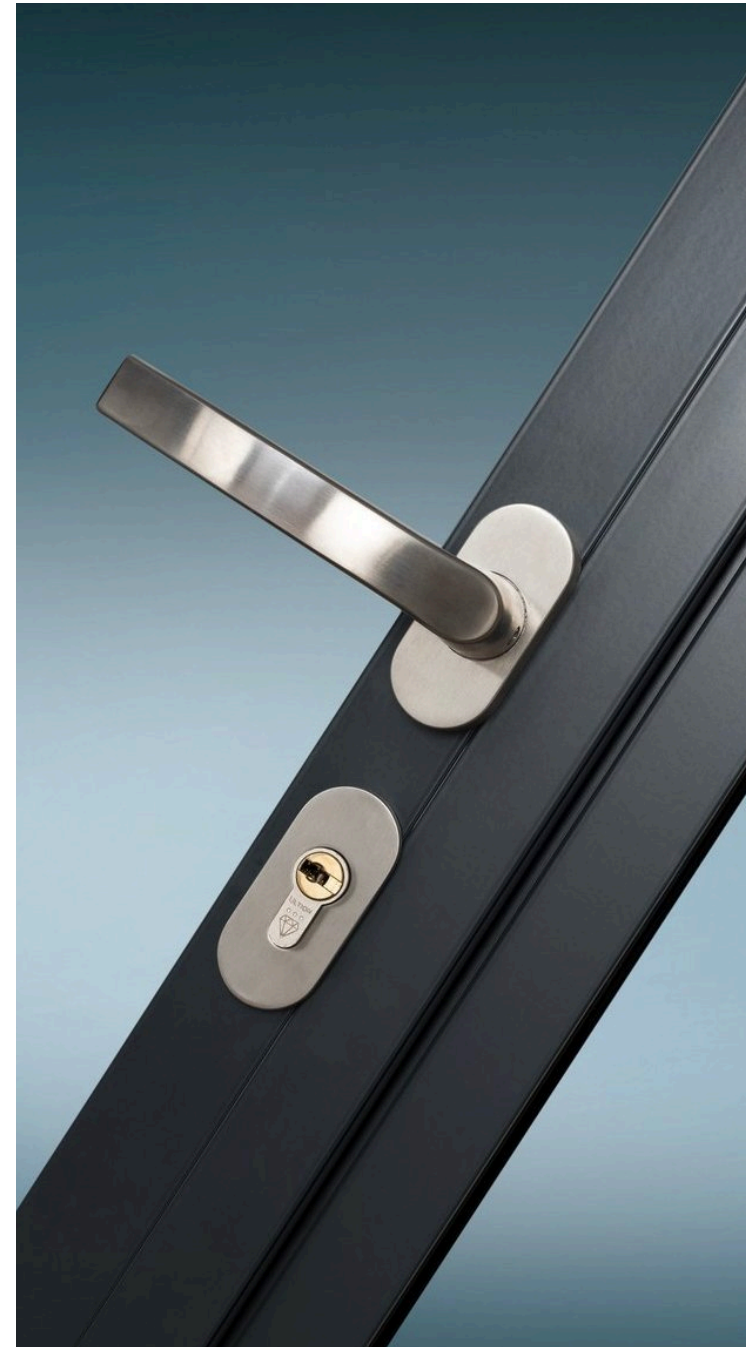
Handles | Contemporary

Contemporary

Our Contemporary External Door is offered with our Contemporary Handle in Stainless Steel, as standard. However, should you desire a colour-matched option, you can choose from any RAL colour and can opt for a colour-matched escutcheon, coded to either the handle, or the aluminium profile colour.



Solid Stainless Steel with separate escutcheon
(Style 253/280)

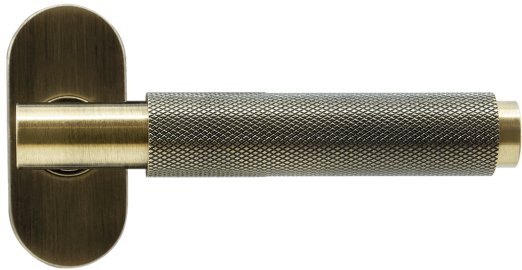


Handles | Signature Knurled Collection

Signature Knurled Collection

Our optional Signature Knurled Handle Collection is available in six stunning finishes, with colour-matched escutcheons. Should you desire a colour-matched option, you can choose the Contemporary Handle, also available in Stainless Steel.

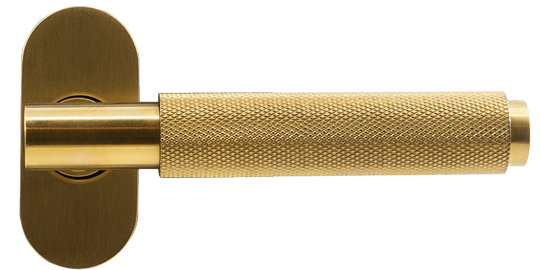
COMING SOON!



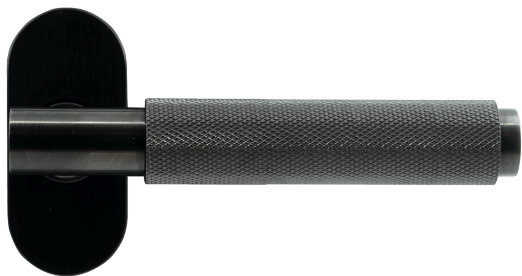
Antique Brass



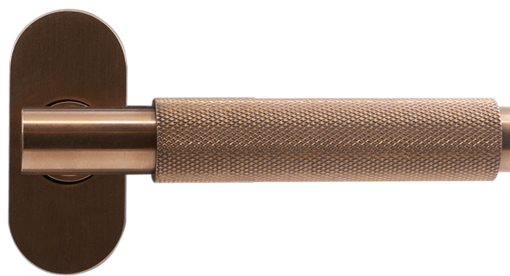
Brushed Bronze



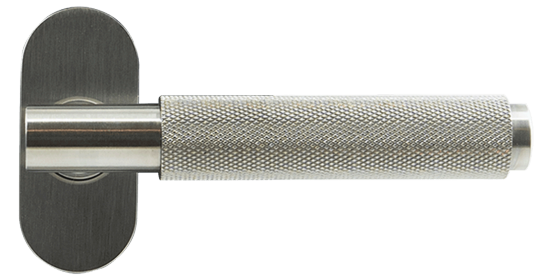
Satin Brass



Brushed Black



Rose Gold



Satin Stainless

Handles | D & Slave Handles

D & Slave Handles

Slave and D-handles are secondary handles used to open and guide the doors along the track. They have been designed by Origin to withstand a pull of 1,600 Newtons, and just like the main handles, they can be colour-matched or chosen in Stainless Steel.



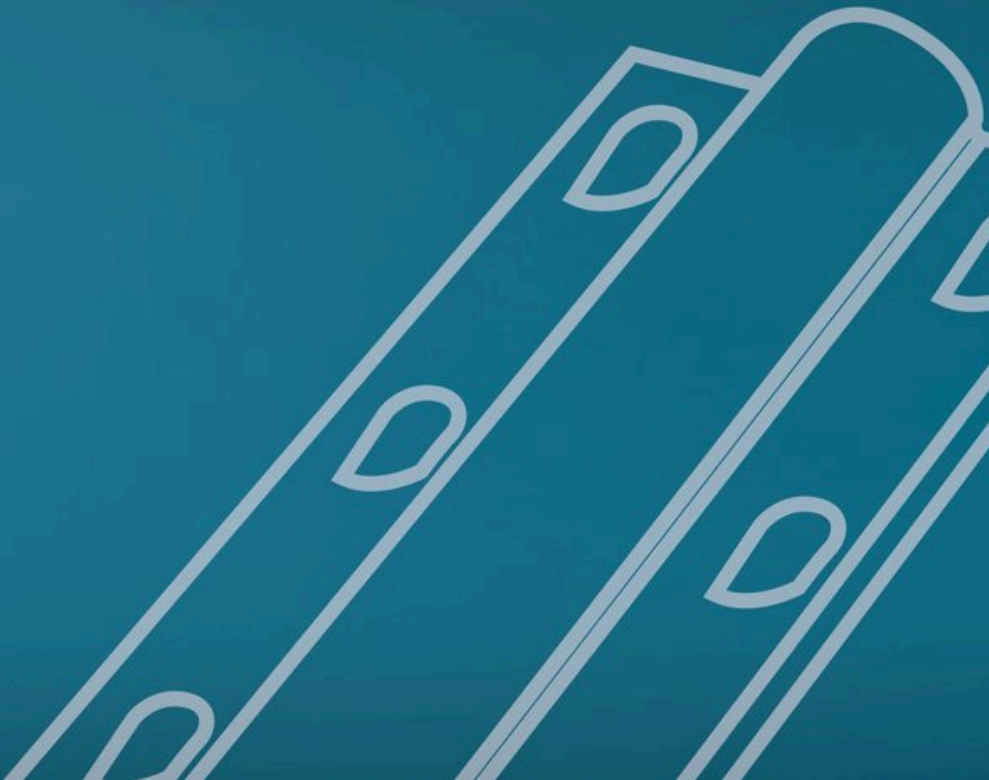
D Handle (H-002)



Slave Handle (H-021)



Options



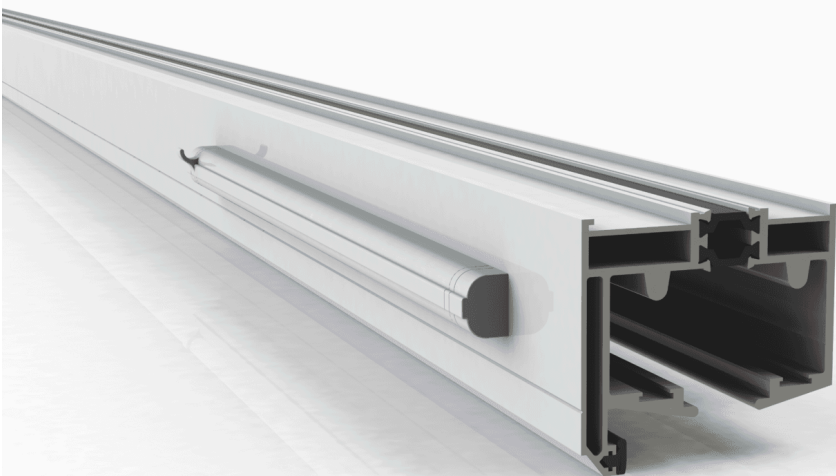
Options | Trickle Vents

Trickle Vents

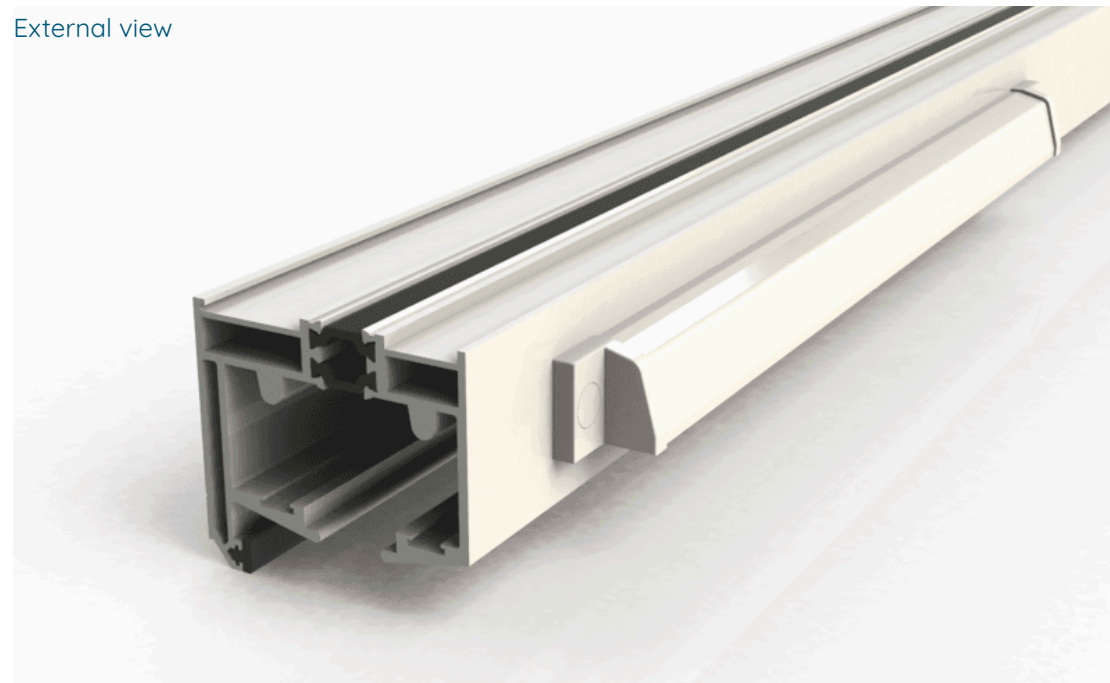
Trickle vents have to meet the minimum air flow rates as defined in the British Building Regulations.

Should it be required, the OB-36⁺ can be specified with discreetly designed trickle vents which are installed through the top track for additional ventilation, ensuring the doors meet and surpass building regulations.

Internal view



External view



Options | Thresholds & Door Restrictors

Thresholds

Weathered and low thresholds are available, so you can pick the right option to cater for your customer's needs.



Door Restrictors

We offer either a 90° or 135° door restrictor that will limit the door's opening to the respective angle.



Options | Cills

Cills

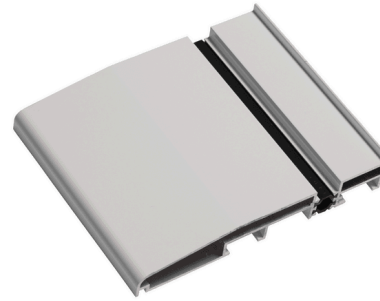
Choose from our four cill options which can be powdercoated to match the doors.



95mm



155mm



180mm



225mm

Options | Gaskets & Drainage Caps

Gaskets & Drainage Caps

Choose from our four cill options which can be powdercoated to match the doors.

Profile Colour	Gasket Colour	Drainage Cap Colour
Anthracite - 7016M	Anthracite Grey	Dark Grey
Jet Black - 9005M	Open full table in browser:	Black
Textured Black - 9005T	https://origin.turtl.co/story/ob-36-contemporary/page/4/4	Black

Security



Security | Multi-Point Lock

Origin's Multi-Point Lock

The Origin Multi-Point lock offers 8-points of locking and is one of the requirements for becoming PAS 24 certified.

In the image below, you will see 6-points of locking. We then add a shoot bolt that goes into the top and bottom track, resulting in a total of 8-points of locking



Security | Locking Cylinders

3-Star Diamond Cylinder

The OB-36+ comes with a 3-Star Diamond Cylinder as standard



Performance Figures



Performance Figures | Thermal, Performance & Weather

Building Regulation Requirements*		Glazing	U-Value
New Build Limiting Value	1.6 W/m ² K	1.2 Centre Pane	1.4 W/m ² K
Replacements	1.4 W/m ² K	1.1 Centre Pane	1.3 W/m ² K
Energy Rating	C or better	0.9 Centre Pane	1.1 W/m ² K
		0.6 Centre Pane	0.9 W/m ² K
		0.5 Centre Pane	0.8 W/m ² K

Weather Rating	2,500mm>
Air Permeability	Class 4, 600pa
Resistance to Wind Load*	Class A3, 1,200pa
Water Tightness	Class 9A

**Dependent on the sash width. Please see OSS for more information.*

Exceptionally slim frames, maximum viable glass coverage and airtight seals all contribute to ensuring that OB36+ can meet a highly efficient 0.9 U-Value.

**All doors must conform to these requirements*

Performance Testing
PAS 24
BS 6375 Parts 1, 2 and 3
Passed 50,000 lead door cycles and 10,000 full cycles, equating to 25-years of use.

Performance Figures | Sizes

Sash Sizes	Width	Height
Minimum Sash Size	600mm	1,850mm
Maximum Sash Size	1,200mm*	2,376mm

** Maximum sash weight - 76kg
(this is dependent on the lateral loading)*

Set Sizes	
Minimum Set Height	1,974mm
Minimum Set Width	702mm
Maximum Set Height	2,500mm
Maximum Set Width	6,000mm

Maximum steel deflection - 3mm

Technical Drawings

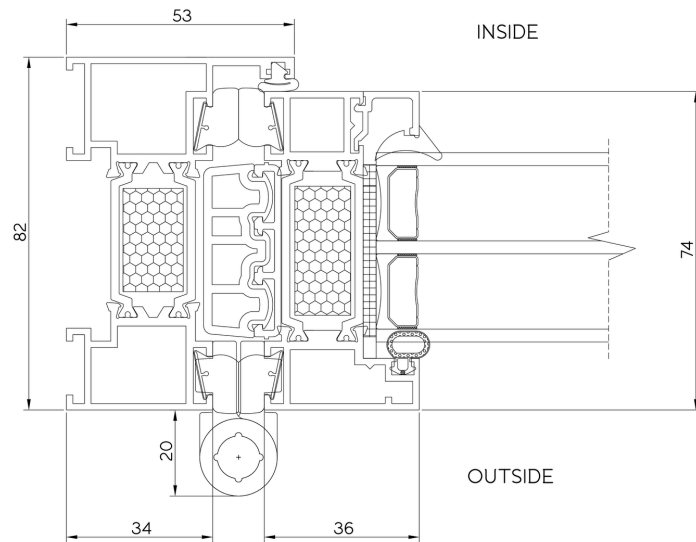
Download the drawings [here](#)



Technical Drawings | Detail 1A & 1B

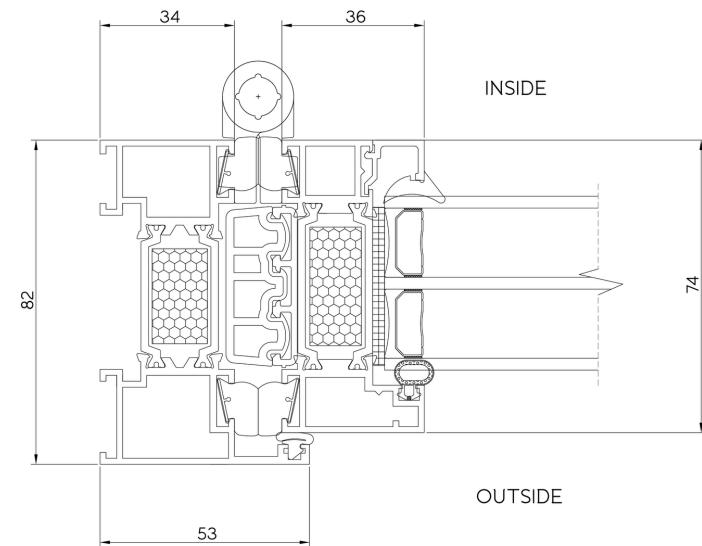
Hinge Jamb (open out)

DRAWING #: OB36C-1A.1



Hinge Jamb (open in)

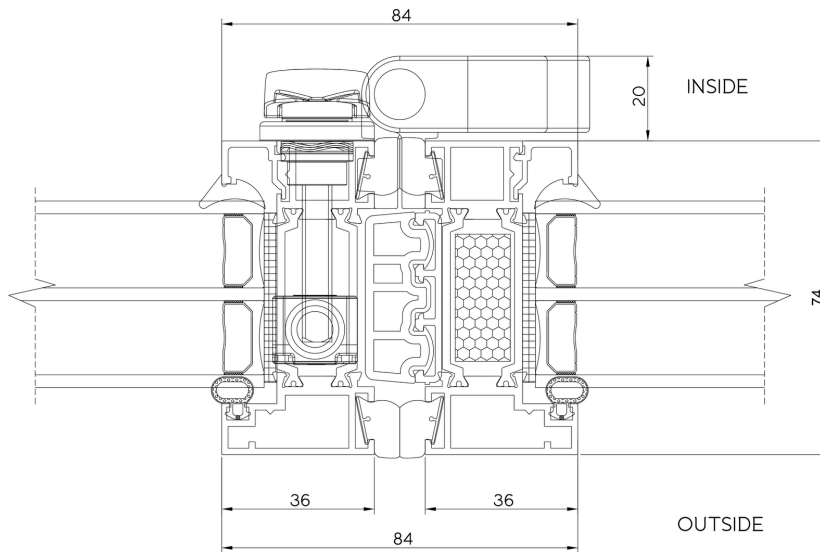
DRAWING #: OB36C-1B.1



Technical Drawings | Detail 3 & 4

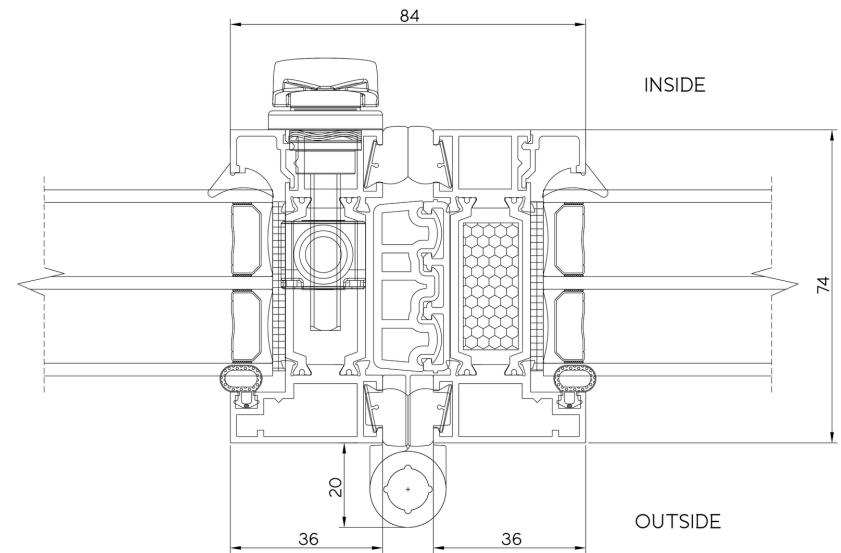
Outward Opening Stiles

DRAWING #: OB36C-3.1



Inward Opening Stiles

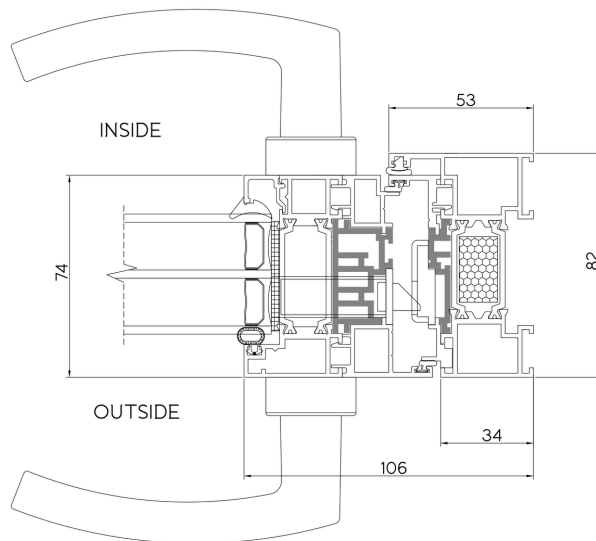
DRAWING #: OB36C-4.1



Technical Drawings | Detail 5A & 5B

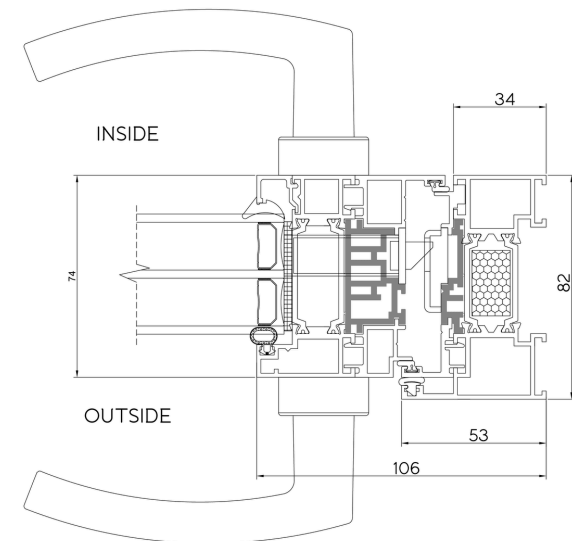
Locking Jamb (open out)

DRAWING #: OB36C-5A.1



Locking Block Jamb (open in)

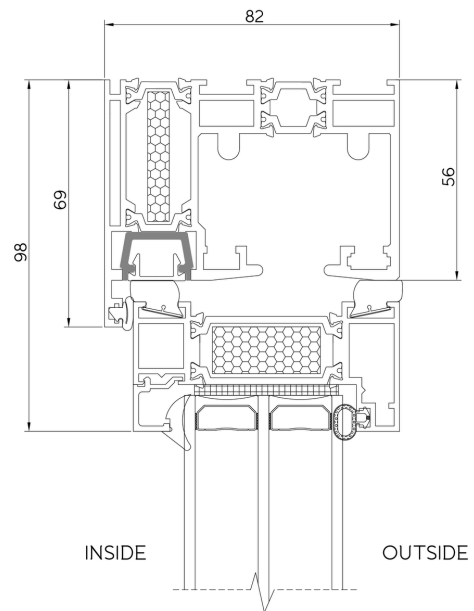
DRAWING #: OB36C-5B.1



Technical Drawings | Detail 7A & 7B

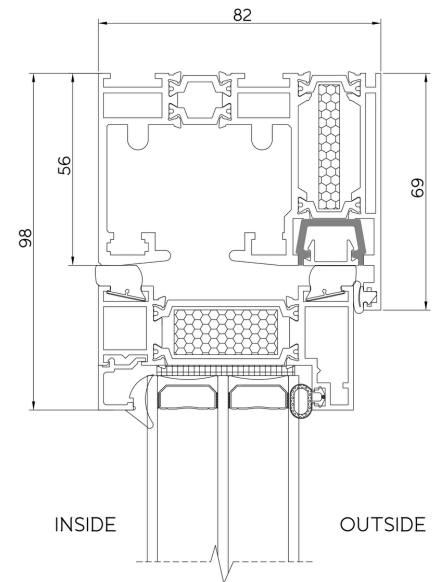
Top Track (open out)

DRAWING #: OB36C-7A.1



Top Track (open in)

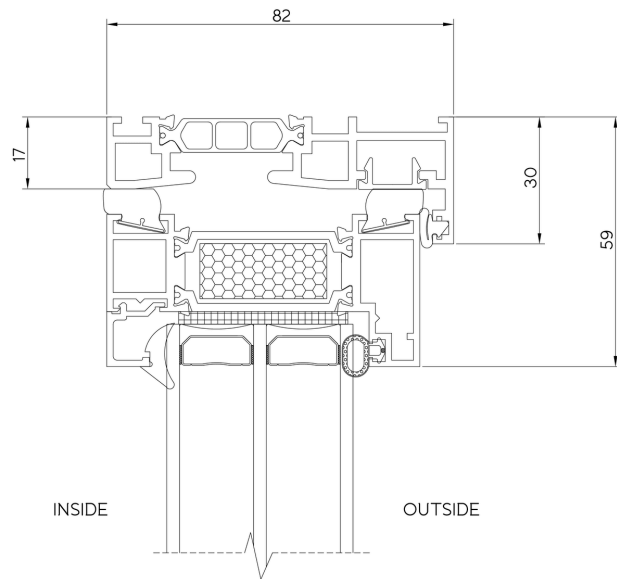
DRAWING #: OB36C-7B.1



Technical Drawings | Detail 7C & 7D

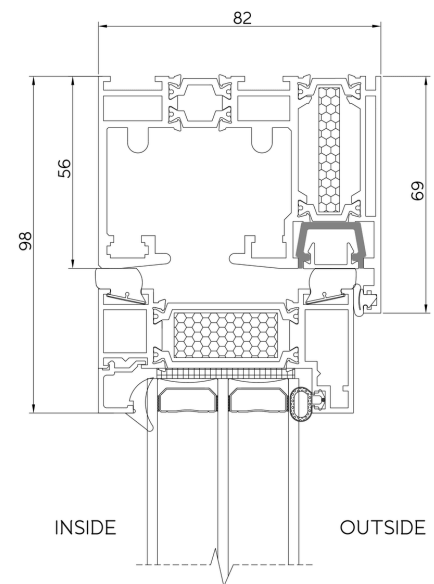
Top Low Track (open out)

DRAWING #: OB36C-7B.1



Top Low Track (open in)

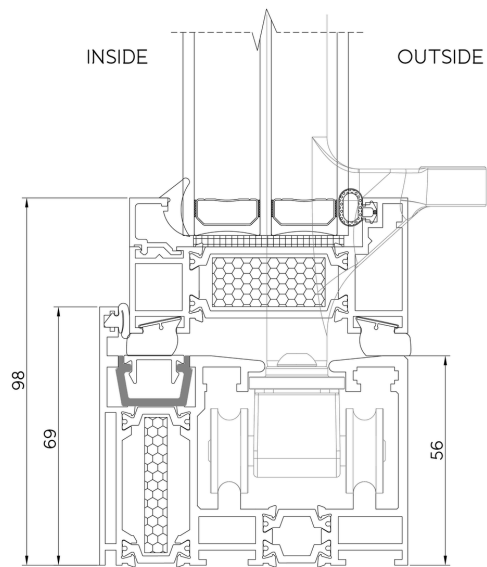
DRAWING #: OB36C-7B.1



Technical Drawings | Detail 8A & 8B

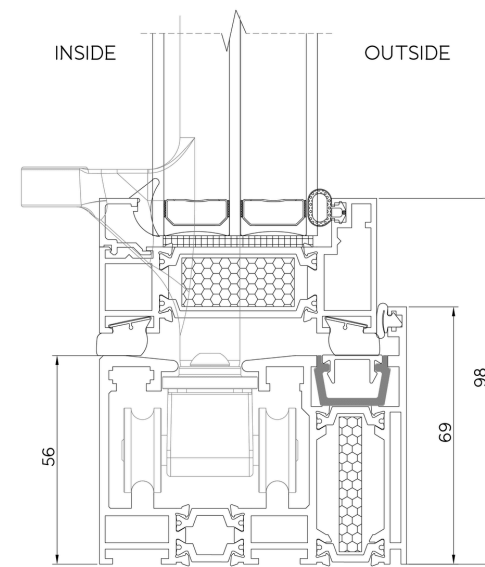
Bottom Track (open out)

DRAWING #: OB36C-8A.1



Bottom Track (open in)

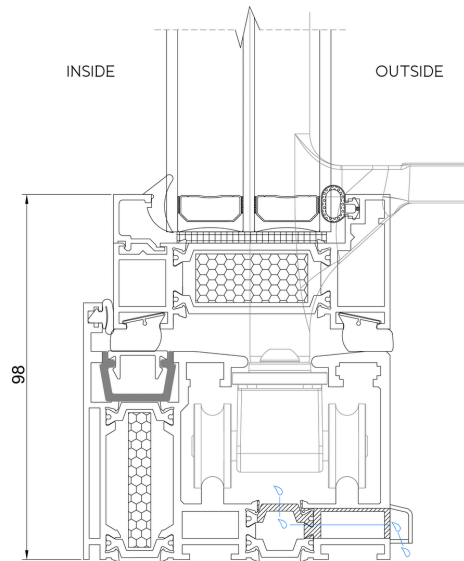
DRAWING #: OB36C-8B.1



Technical Drawings | Detail 8C & 8D

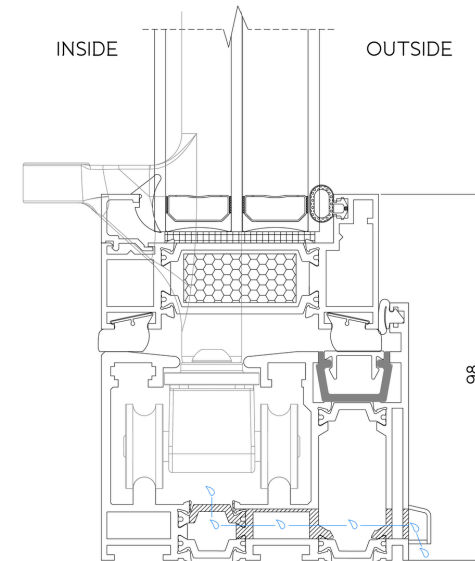
Bottom Track - Face Drainage (open out)

DRAWING #: OB36C-8C.1



Bottom Track - Face Drainage (open in)

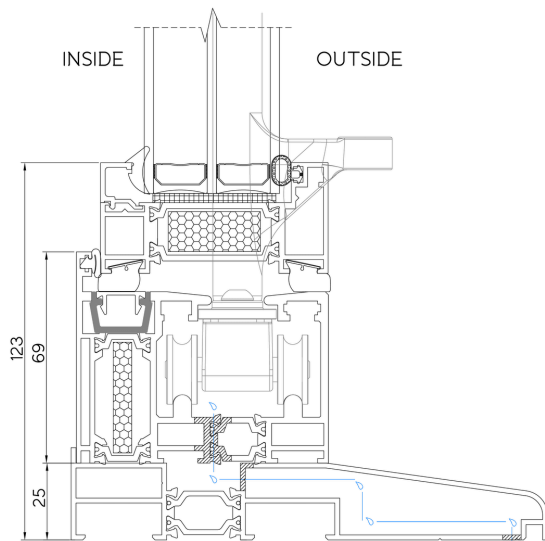
DRAWING #: OB36C-8D.1



Technical Drawings | Detail 8E & 8F

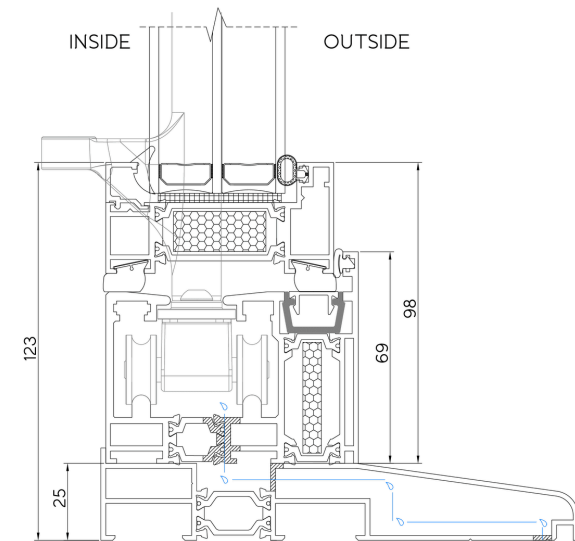
Bottom Track - Concealed Drainage (open out)

DRAWING #: OB36C-8E.1



Bottom Track - Concealed Drainage (open in)

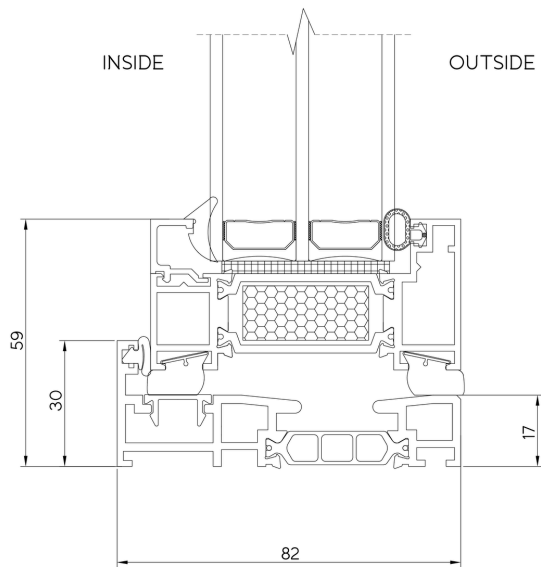
DRAWING #: OB36C-8F.1



Technical Drawings | Detail 10A & 10B

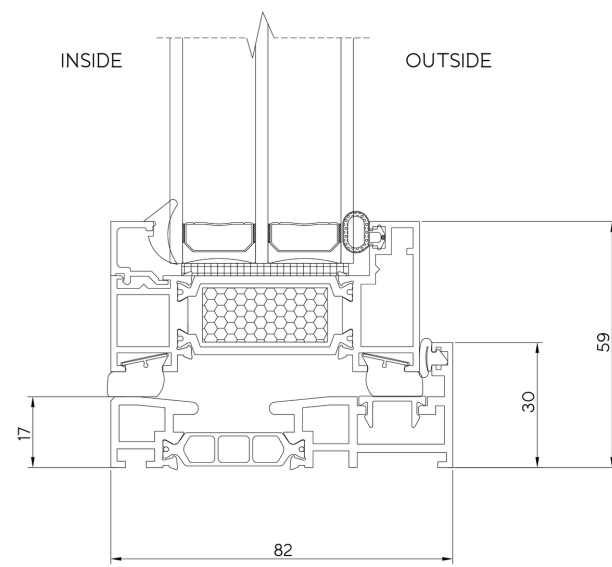
Low Track (open out)

DRAWING #: OB36C-10A.1



Low Track (open in)

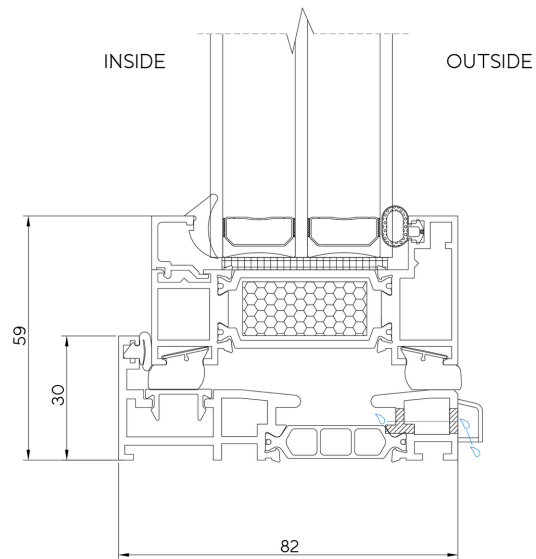
DRAWING #: OB36C-10B.1



Technical Drawings | Detail 10C & 10D

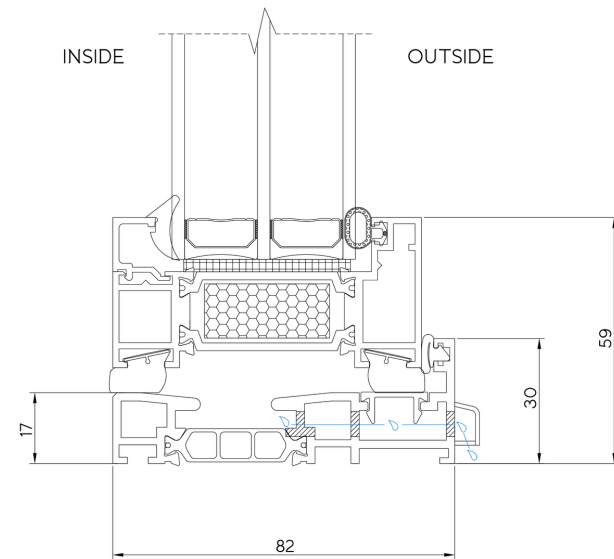
Low Track Face Drainage (open out)

DRAWING #: OB36C-10C.1



Low Track Face Drainage (open in)

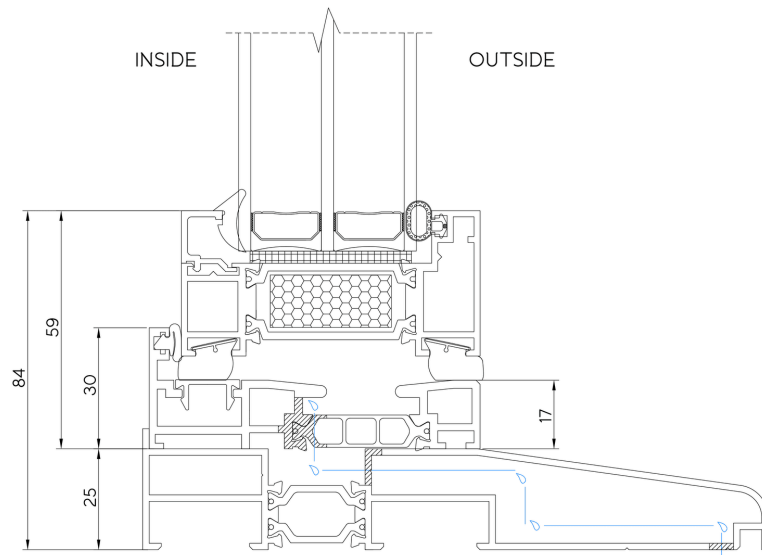
DRAWING #: OB36C-10D.1



Technical Drawings | Detail 10E & 10F

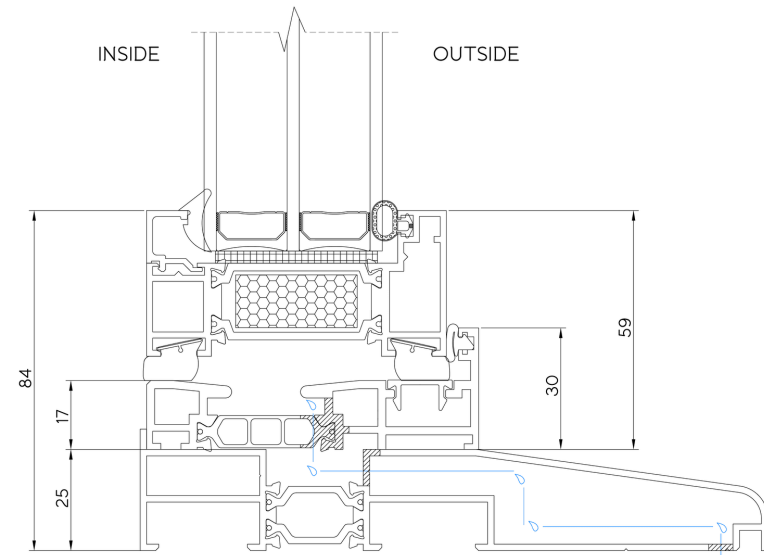
Low Track Concealed Drainage (open out)

DRAWING #: OB36C-10E.1



Low Track Concealed Drainage (open in)

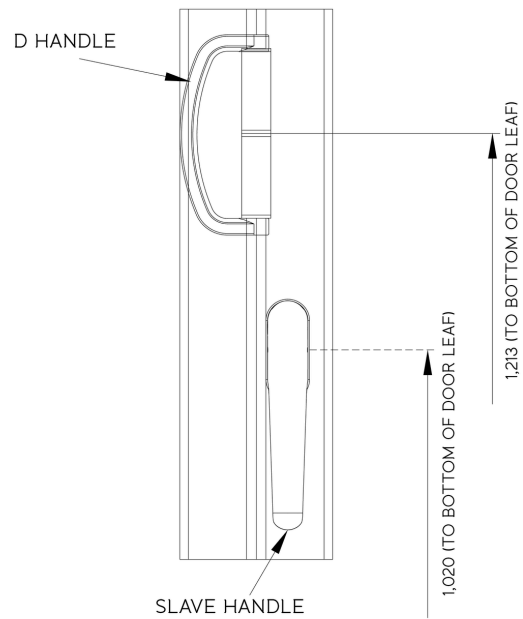
DRAWING #: OB36C-10F.1



Technical Drawings | Detail 11 & 13

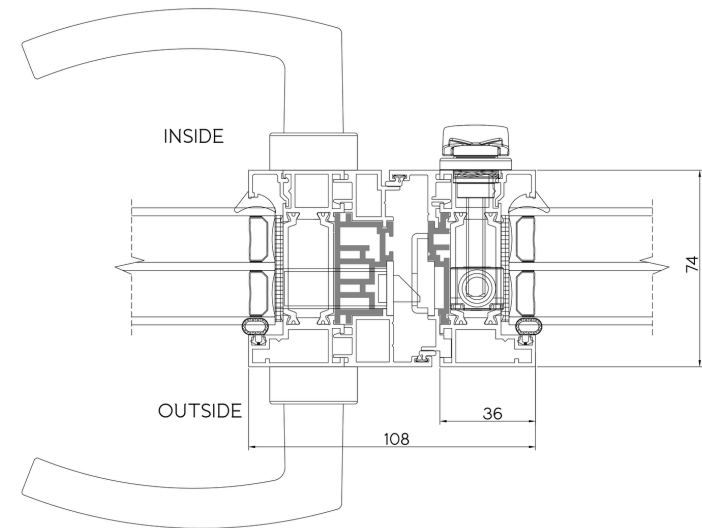
Slave Handle Layout

DRAWING #: OB36C-11.1



Locking Slave Handle

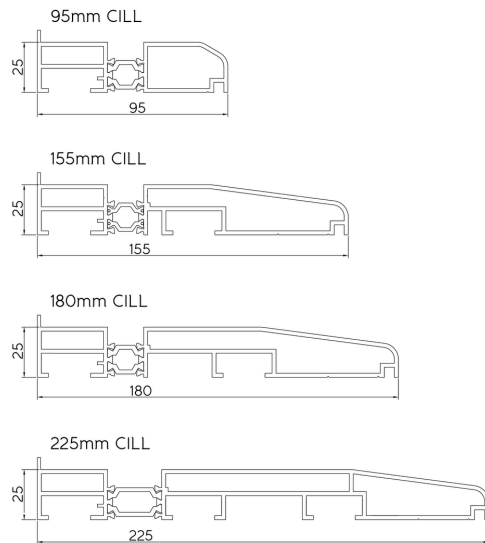
DRAWING #: OB36C-13.1



Technical Drawings | Detail 17 & 18

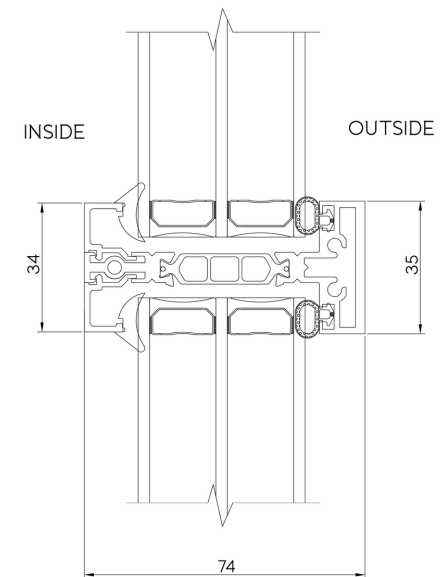
Cills

DRAWING #: OB36C-17.1



Glass Divide Glazing

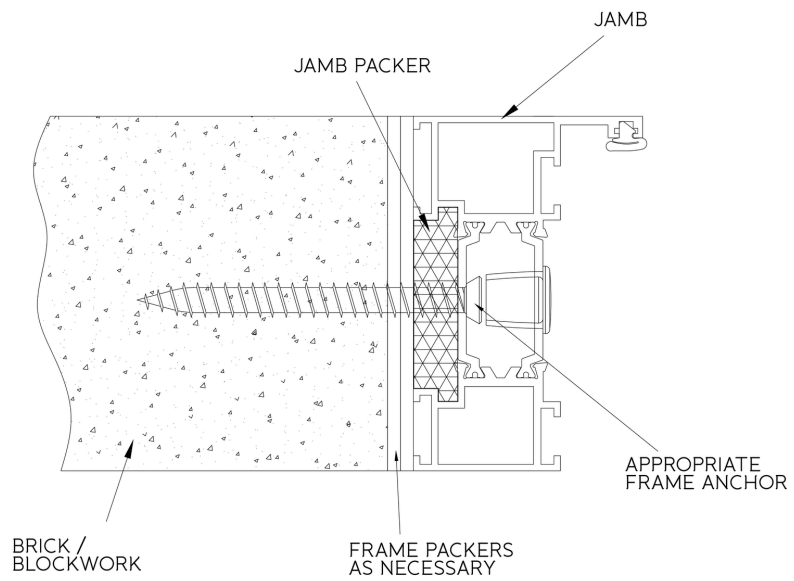
DRAWING #: OB36C-18.1



Technical Drawings | Detail 19 & 20

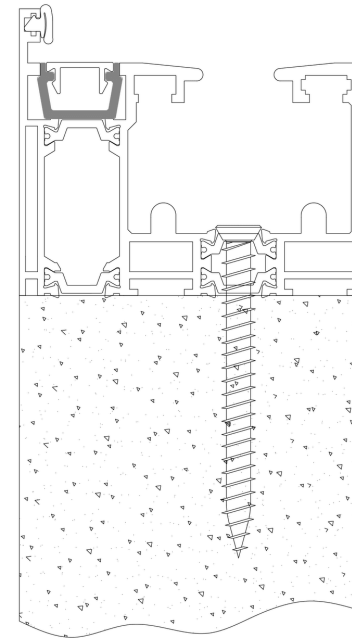
Jamb Fixing

DRAWING #: OB36C-19.1



Bottom Fixing

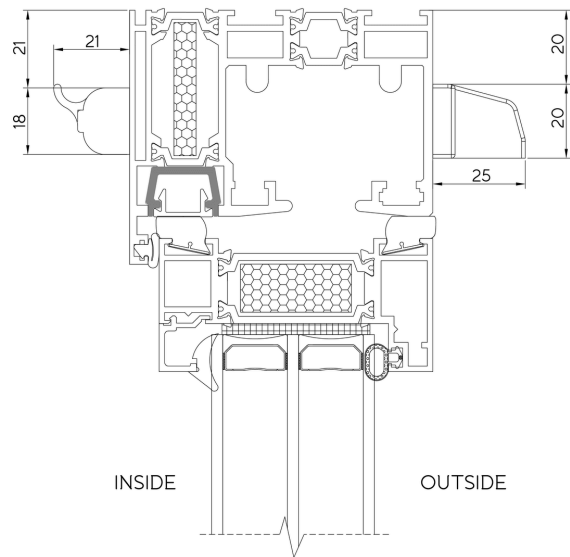
DRAWING #: OB36C-20.1



Technical Drawings | Detail 21 & 22

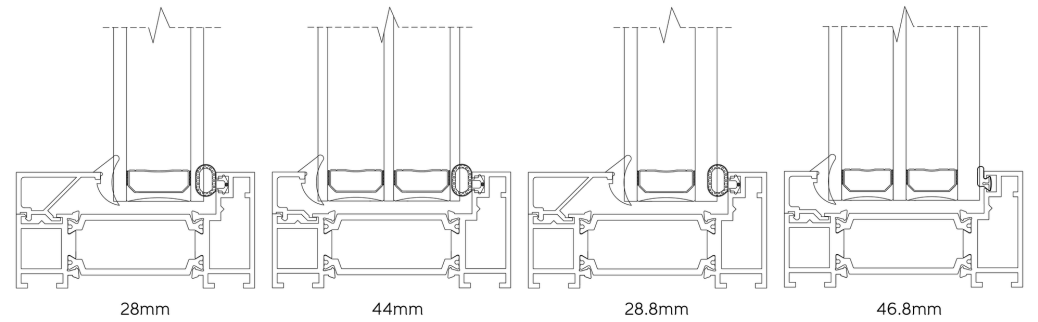
20mm Trickle Vent

DRAWING #: OB36C-21.1



Glazing Options

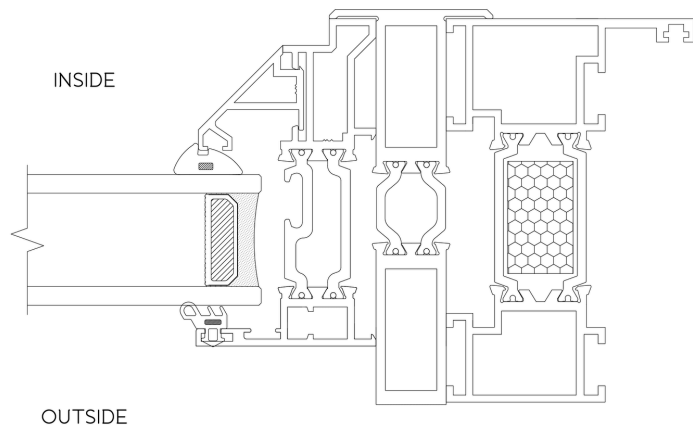
DRAWING #: OB36C-22.1



Technical Drawings | Detail 25B

Universal Coupler

DRAWING #: OB36C-25B.1



Our Accreditations



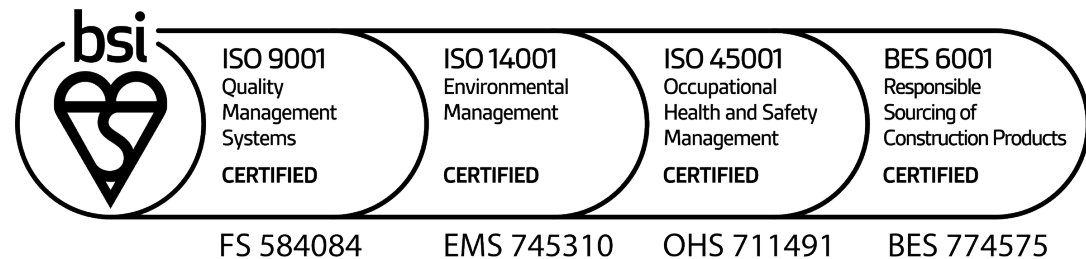
Our Accreditations

Accreditations

At Origin, we are dedicated to delivering products of the highest quality, supported by the best levels of service and efficiency. We are well known for our meticulous attention to detail, taking pride in everything we do. This includes not settling for today – we are always learning, innovating, evolving and improving. Put simply, we're on a quest for perfection. It's an ethos that has become the very heart of Origin.

From products to processes, or even our sustainability, our culture encourages continuous improvement. We've put this to the test by going for prestigious accreditations. We are very proud to have achieved these and feel they show our ethical and moral dedication to operate in the best way, not because we are told to, but because it's the right thing to do. Here are some details on what we've achieved so far...

[Learn more...](#)



Thank you for reading

The OB-36+ Specification Guide...

2.329.1

